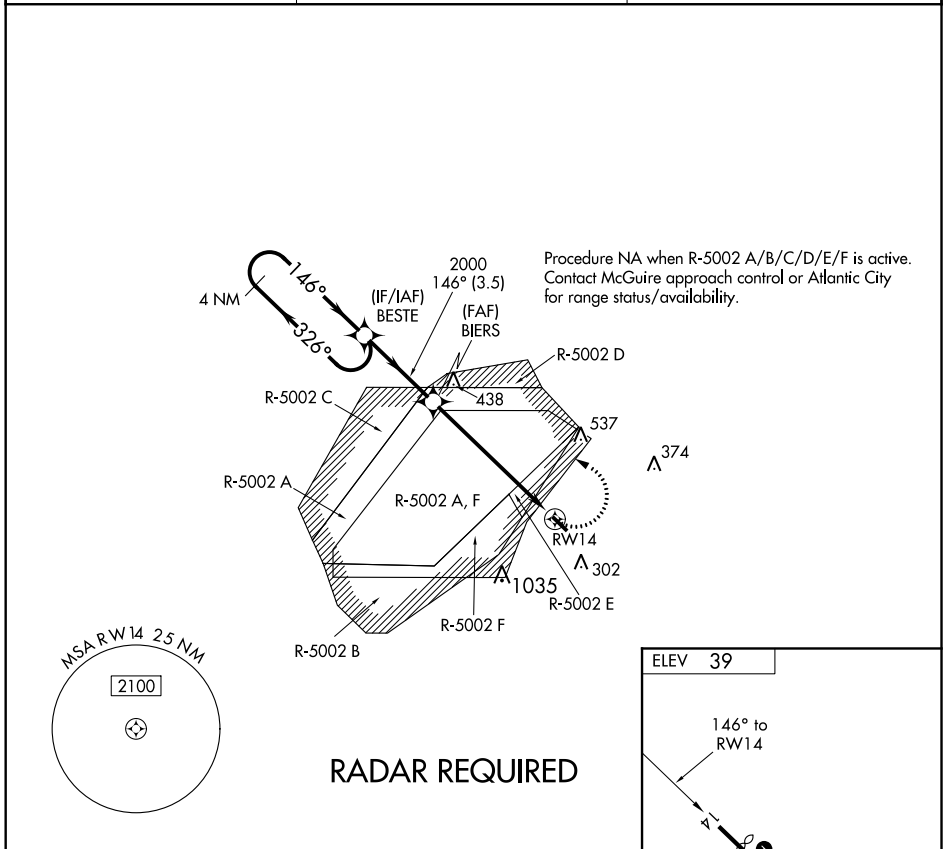


| | | |
|---------|----------|-----|
| APP CRS | Rwy Idg | N/A |
| 146° | TDZE | N/A |
| | Apt Elev | 39 |

RNAV (GPS)-A

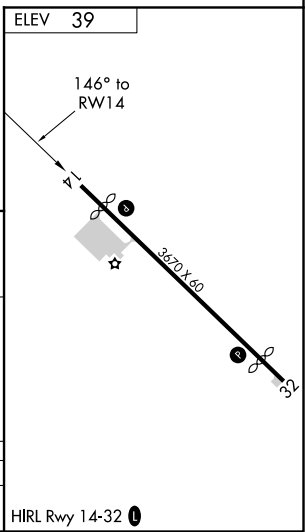
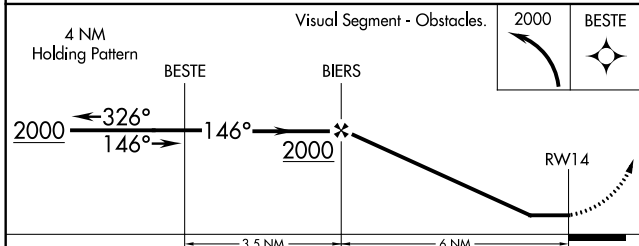
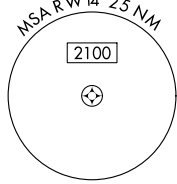
EAGLES NEST (31E)

| | | |
|---|---|--------------------------------|
| <p>▽ DME/DME RNP-0.3 NA. Procedure NA at night. Use Toms River altimeter setting; when not received use Atlantic City altimeter setting. Helicopter visibility reduction below 1 SM NA.</p> <p>▲ NA</p> | <p>MISSED APPROACH: Climbing left turn to 2000 direct BESTE and hold.</p> | |
| <p>MJX AWOS-3PT 119.875</p> | <p>ATLANTIC CITY APP CON 134.25 292.2</p> | <p>CTAF 122.9 0</p> |



NE-2, 02 DEC 2021 to 30 DEC 2021

NE-2, 02 DEC 2021 to 30 DEC 2021



| CATEGORY | A | B | C | D |
|-------------------|----------------------|----------------------|----|---|
| C CIRCLING | 680-1 641 (700-1) | 700-1 661 (700-1) | NA | |

| | | |
|------------------------|-----------------------------|---------------------------------------|
| APP CRS 326° | Rwy Idg TDZE Apt Elev | N/A N/A 39 |
|------------------------|-----------------------------|---------------------------------------|

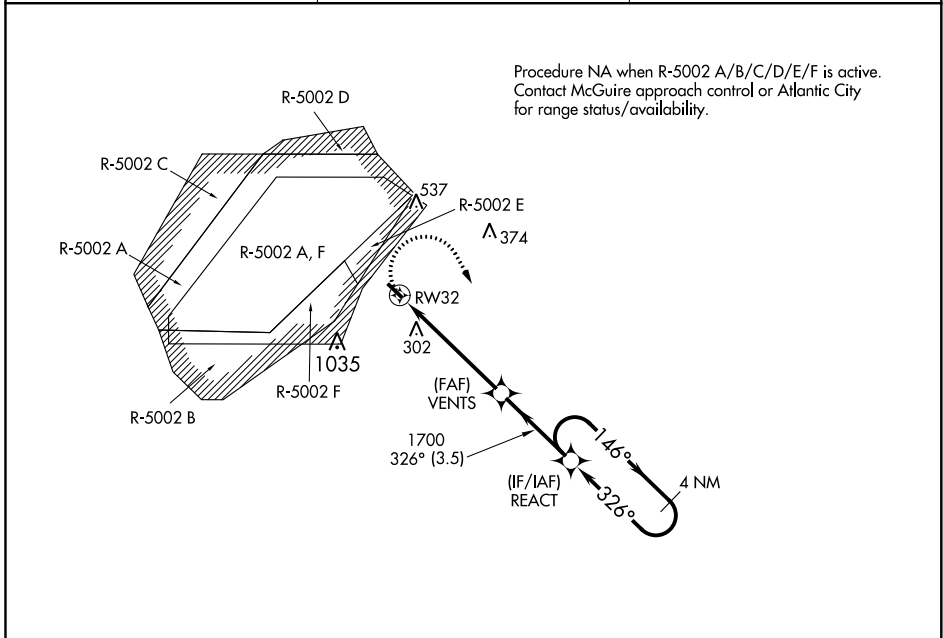
RNAV (GPS)-B

EAGLES NEST (31E)

NA DME/DME RNP-0.3 NA. Procedure NA at night. Use Toms River altimeter setting; when not received use Atlantic City altimeter setting. Helicopter visibility reduction below 1 SM NA.

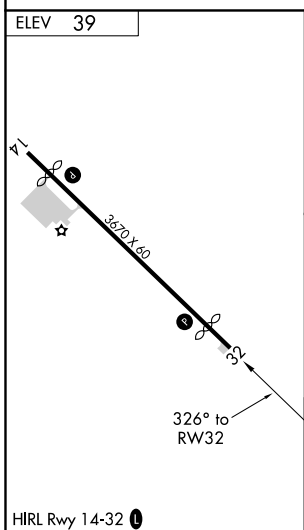
MISSED APPROACH: Climbing right turn to 2300 direct REACT and hold.

| | | |
|--------------------------------|--|------------------------|
| MUX AWOS-3PT 119.875 | ATLANTIC CITY APP CON 134.25 292.2 | CTAF 122.9 0 |
|--------------------------------|--|------------------------|

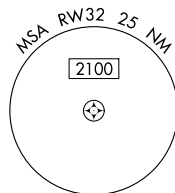


NE-2, 02 DEC 2021 to 30 DEC 2021

NE-2, 02 DEC 2021 to 30 DEC 2021



RADAR REQUIRED



| | | | |
|-----------------|----------------------|-----------------------------|----------------------|
| 2300 | REACT | Visual Segment - Obstacles. | 4 NM Holding Pattern |
| | | | |
| CATEGORY | A | B | C D |
| CIRCLING | 680-1 641 (700-1) | 700-1 661 (700-1) | NA |

TAKEOFF MINIMUMS, (OBSTACLE) DEPARTURE PROCEDURES, AND DIVERSE VECTOR AREA (RADAR VECTORS)

21336

INSTRUMENT APPROACH PROCEDURE CHARTS

IFR TAKEOFF MINIMUMS AND (OBSTACLE) DEPARTURE PROCEDURES

Civil Airports and Selected Military Airports

ALL USERS: Airports that have Departure Procedures (DPs) designed specifically to assist pilots in avoiding obstacles during the climb to the minimum enroute altitude, and/or airports that have civil IFR takeoff minimums other than standard, are listed below. Takeoff Minimums and Departure Procedures apply to all runways unless otherwise specified. An entry may also be listed that contains only Takeoff Obstacle Notes. Altitudes, unless otherwise indicated, are minimum altitudes in MSL.

DPs specifically designed for obstacle avoidance are referred to as Obstacle Departure Procedures (ODPs) and are textually described below, or published separately as a graphic procedure. If the ODP is published as a graphic procedure, its name will be listed below, and it can be found in either this volume (civil), or the applicable military volume, as appropriate. Users will recognize graphic obstacle DPs by the term "(OBSTACLE)" included in the procedure title; e.g., TETON TWO (OBSTACLE). If not specifically assigned an ODP, SID, or RADAR vector as part of an IFR clearance, an ODP may be required to be flown for obstacle clearance, even though not specifically stated in the IFR clearance. When doing so in this manner, ATC should be informed when the ODP being used contains a specified route to be flown, restrictions before turning, and/or altitude restrictions.

Some ODPs, which are established solely for obstacle avoidance, require a climb in visual conditions to cross the airport, a fix, or a NAVAID in a specified direction, at or above a specified altitude. These procedures are called Visual Climb Over Airport (VCOA). To ensure safe and efficient operations, the pilot must verbally request approval from ATC to fly the VCOA when requesting their IFR clearance.

At some locations where an ODP has been established, a diverse vector area (DVA) may be created to allow RADAR vectors to be used in lieu of an ODP. DVA information will state that headings will be as assigned by ATC and climb gradients, when applicable, will be published immediately following the specified departure procedure.

Graphic DPs designed by ATC to standardize traffic flows, ensure aircraft separation and enhance capacity are referred to as "Standard Instrument Departures (SIDs)". SIDs also provide obstacle clearance and are published under the appropriate airport section. ATC clearance must be received prior to flying a SID.

CIVIL USERS NOTE: Title 14 Code of Federal Regulations Part 91 prescribes standard takeoff rules and establishes takeoff minimums for certain operators as follows: (1) For aircraft, other than helicopters, having two engines or less – one statute mile visibility. (2) For aircraft having more than two engines – one-half statute mile visibility. (3) For helicopters – one-half statute mile visibility. These standard minima apply in the absence of any different minima listed below.

MILITARY USERS NOTE: Civil (nonstandard) takeoff minima are published below. For military takeoff minima, refer to appropriate service directives.

AKRON, NY

AKRON/JESSON FLD (9G3)

TAKEOFF MINIMUMS AND (OBSTACLE) DEPARTURE PROCEDURES

AMDT 1A 20JUN19 (21224) (FAA)

TAKEOFF OBSTACLE NOTES:

Rwy 7, tree, lighting beginning 6' from DER, 77' left of centerline, up to 891' MSL.

Lighting 11' from DER, 78' right of centerline, 841' MSL.

Vehicles on traverse way beginning 13' from DER, 206' right of centerline, up to 15' AGL/851' MSL.

Trees, vehicles on traverse way beginning 30' from DER, 258' left of centerline, up to 15' AGL/898' MSL.

Vehicles on traverse way beginning 103' from DER, 160' right of centerline, up to 15' AGL/853' MSL.

Trees, vehicles on traverse way beginning 142' from DER, 170' left of centerline, up to 15' AGL/903' MSL.

Transmission line, poles, fence, vehicles on traverse way, trees, stack beginning 187' from DER, 81' right of centerline, up to 870' MSL.

Tree 326' from DER, 489' left of centerline, 67' AGL/909' MSL.

Trees beginning 425' from DER, 17' left of centerline, up to 100' AGL/912' MSL.

Poles beginning 1140' from DER, 98' right of centerline, up to 887' MSL.

Tree, transmission line beginning 1303' from DER, 154' right of centerline, up to 906' MSL.

Trees, transmission lines beginning 1386' from DER, 115' right of centerline, up to 912' MSL.

Trees, transmission lines beginning 1555' from DER, 6' right of centerline, up to 920' MSL.

Trees beginning 2508' from DER, 24' right of centerline, up to 923' MSL.

Trees beginning 2690' from DER, 284' right of centerline, up to 924' MSL.

Trees beginning 2737' from DER, 132' right of centerline, up to 931' MSL.

Trees beginning 2871' from DER, 131' right of centerline, up to 938' MSL.

Trees beginning 3437' from DER, 205' right of centerline, up to 94' AGL/940' MSL.

Rwy 25, sign 7' from DER, 268' right of centerline, 834' MSL.

Fence 13' from DER, 319' right of centerline, 7' AGL/837' MSL.

Trees, fence beginning 22' from DER, 159' left of centerline, up to 60' AGL/875' MSL.

Tree 46' from DER, 375' right of centerline, 31' AGL/856' MSL.

Trees, vegetation beginning 146' from DER, 356' right of centerline, up to 41' AGL/858' MSL.

Trees beginning 231' from DER, 323' right of centerline, up to 880' MSL.

Trees beginning 250' from DER, 245' left of centerline, up to 63' AGL/876' MSL.

Trees beginning 386' from DER, 4' left of centerline, up to 72' AGL/883' MSL.

Tree 398' from DER, 215' right of centerline, 57' AGL/881' MSL.

Trees beginning 410' from DER, 13' right of centerline, up to 63' AGL/884' MSL.

TAKEOFF MINIMUMS, (OBSTACLE) DEPARTURE PROCEDURES, AND DIVERSE VECTOR AREA (RADAR VECTORS)

21336

TAKEOFF MINIMUMS, (OBSTACLE) DEPARTURE PROCEDURES, AND DIVERSE VECTOR AREA (RADAR VECTORS)

21336

ALBANY, NY

ALBANY INTL (ALB)

TAKEOFF MINIMUMS AND (OBSTACLE) DEPARTURE PROCEDURES

AMDT 14 07OCT21 (21280) (FAA)

TAKEOFF MINIMUMS:

Rwy 10, 300-1¼ or std. w/min. climb of 378' per NM to 1100.

Rwy 28, 300-1¼ or std. w/min. climb of 524' per NM to 600.

DEPARTURE PROCEDURE:

Rwy 10, climb on heading 110° to 2000 before turning north.

Rwy 19, climb on heading 191° to 1400 before turning west.

Rwy 28, climb on heading 281° to 2000 before proceeding on course.

TAKEOFF OBSTACLE NOTES:

Rwy 1, pole 5' from DER, 5' right of centerline, 26' AGL/281' MSL.

Building 1095' from DER, 574' right of centerline, 34' AGL/314' MSL.

Tree 1155' from DER, 694' right of centerline, 332' MSL.

Trees beginning 1355' from DER, 770' right of centerline, up to 343' MSL.

Trees beginning 1499' from DER, 148' right of centerline, up to 348' MSL.

Catenary 1690' from DER, 929' left of centerline, 50' AGL/325' MSL.

Tree 1884' from DER, 938' left of centerline, 335' MSL.

Trees beginning 2088' from DER, 897' left of centerline, up to 348' MSL.

Trees beginning 2324' from DER, 918' left of centerline, up to 102' AGL/362' MSL.

Tree 2352' from DER, 883' right of centerline, 351' MSL.

Tree 2385' from DER, 1066' left of centerline, 364' MSL.

Tree 2390' from DER, 881' right of centerline, 113' AGL/354' MSL.

Trees beginning 2432' from DER, 581' left of centerline, up to 365' MSL.

Trees beginning 2500' from DER, 858' right of centerline, up to 355' MSL.

Trees beginning 2703' from DER, 283' right of centerline, up to 358' MSL.

Trees beginning 2733' from DER, 113' right of centerline, up to 362' MSL.

Tree 3023' from DER, 979' right of centerline, 106' AGL/363' MSL.

Tree 3080' from DER, 1076' right of centerline, 366' MSL.

Rwy 10, pole 5' from DER, 52' right of centerline, 8' AGL/277' MSL.

Pole 5' from DER, 51' left of centerline, 8' AGL/277' MSL.

Tree 119' from DER, 423' right of centerline, 297' MSL.

Trees beginning 282' from DER, 535' right of centerline, up to 343' MSL.

Vehicle on roadway 303' from DER, 500' left of centerline, 290' MSL.

Tree 358' from DER, 555' left of centerline, 345' MSL.

Tree 422' from DER, 582' left of centerline, 346' MSL.

Trees, pole beginning 459' from DER, 341' left of centerline, up to 92' AGL/352' MSL.

Trees beginning 491' from DER, 571' right of centerline, up to 81' AGL/349' MSL.

Trees beginning 551' from DER, 130' right of centerline, up to 351' MSL.

Trees beginning 909' from DER, 267' left of centerline, up to 354' MSL.

Trees beginning 1141' from DER, 13' right of centerline, up to 354' MSL.

Trees beginning 1156' from DER, 244' left of centerline, up to 360' MSL.

Trees beginning 1235' from DER, 93' right of centerline, up to 362' MSL.

Trees, vehicle on roadway beginning 1243' from DER, 13' left of centerline, up to 367' MSL.

Tree 1269' from DER, 411' right of centerline, 97' AGL/366' MSL.

Trees beginning 1286' from DER, 79' right of centerline, up to 372' MSL.

Trees beginning 1570' from DER, 38' left of centerline, up to 391' MSL.

Trees, poles, building beginning 1671' from DER, 2' left of centerline, up to 402' MSL.

Trees beginning 1705' from DER, 52' right of centerline, up to 373' MSL.

Trees beginning 2334' from DER, 70' right of centerline, up to 381' MSL.

Trees beginning 2473' from DER, 254' right of centerline, up to 383' MSL.

Trees beginning 2537' from DER, 22' right of centerline, up to 389' MSL.

Trees beginning 2697' from DER, 36' right of centerline, up to 401' MSL.

Trees beginning 3089' from DER, 274' right of centerline, up to 402' MSL.

Trees beginning 3446' from DER, 14' left of centerline, up to 408' MSL.

Trees beginning 3805' from DER, 67' right of centerline, up to 404' MSL.

Tree 3944' from DER, 276' right of centerline, 408' MSL.

Trees beginning 3987' from DER, 155' right of centerline, up to 415' MSL.

Trees beginning 4183' from DER, 106' right of centerline, up to 417' MSL.

Trees beginning 4319' from DER, 221' left of centerline, up to 413' MSL.

Trees beginning 4326' from DER, 130' right of centerline, up to 424' MSL.

Tree 4594' from DER, 224' left of centerline, 424' MSL.

Tree, pole beginning 4702' from DER, 95' left of centerline, up to 426' MSL.

Building, vegetation beginning 4725' from DER, 382' right of centerline, up to 22' AGL/425' MSL.

Building, terrain, tree, towers beginning 4924' from DER, 136' right of centerline, up to 14' AGL/427' MSL.

Tree 5136' from DER, 576' right of centerline, 95' AGL/510' MSL.

Tree 1.1 NM from DER, 1578' right of centerline, 87' AGL/453' MSL.

Rwy 19, pole 1041' from DER, 775' left of centerline, 29' AGL/318' MSL.

Trees beginning 1085' from DER, 679' right of centerline, up to 331' MSL.

Tree 1724' from DER, 788' right of centerline, 332' MSL.

Tree 1986' from DER, 707' right of centerline, 348' MSL.

Trees beginning 1998' from DER, 562' right of centerline, up to 369' MSL.

Trees beginning 2487' from DER, 990' right of centerline, up to 377' MSL.

Tree 2713' from DER, 1178' left of centerline, 364' MSL.

CONT

02 DEC 2021 to 30 DEC 2021

02 DEC 2021 to 30 DEC 2021

TAKEOFF MINIMUMS, (OBSTACLE) DEPARTURE PROCEDURES, AND DIVERSE VECTOR AREA (RADAR VECTORS)

21336

NE-2

TAKEOFF MINIMUMS, (OBSTACLE) DEPARTURE PROCEDURES, AND DIVERSE VECTOR AREA (RADAR VECTORS)

21336

ALBANY, NY (CON'T)

ALBANY INTL (ALB) (CON'T)

Rwy 19 (CON'T), trees beginning 3069' from DER, 1092' right of centerline, up to 96' AGL/386' MSL.

Tree 3927' from DER, 1436' right of centerline, 397' MSL.

Trees beginning 3978' from DER, 1168' right of centerline, up to 399' MSL.

Tree 4358' from DER, 1190' right of centerline, 400' MSL.

Rwy 28, pole 6' from DER, 51' right of centerline, 9' AGL/278' MSL.

Electrical system 23' from DER, 427' right of centerline, 19' AGL/280' MSL.

Pole 39' from DER, 124' left of centerline, 9' AGL/278' MSL.

Tree, building beginning 149' from DER, 355' left of centerline, up to 34' AGL/293' MSL.

Poles beginning 330' from DER, 354' left of centerline, up to 39' AGL/304' MSL.

Poles beginning 455' from DER, 352' left of centerline, up to 35' AGL/305' MSL.

Trees, poles beginning 555' from DER, 458' right of centerline, up to 36' AGL/311' MSL.

Tree 569' from DER, 619' left of centerline, 309' MSL.

Building, tree, pole beginning 694' from DER, 490' left of centerline, up to 44' AGL/325' MSL.

Tree, pole, terrain beginning 827' from DER, 490' left of centerline, up to 329' MSL.

Pole 892' from DER, 587' right of centerline, 30' AGL/312' MSL.

Buildings beginning 989' from DER, 543' right of centerline, up to 39' AGL/329' MSL.

Trees beginning 1051' from DER, 277' left of centerline, up to 386' MSL.

Buildings, terrain beginning 1081' from DER, 265' right of centerline, up to 42' AGL/334' MSL.

Trees, buildings, pole beginning 1330' from DER, 5' left of centerline, up to 388' MSL.

Tree 1358' from DER, 534' right of centerline, 342' MSL.

Tree 1397' from DER, 581' right of centerline, 49' AGL/343' MSL.

Trees beginning 1497' from DER, 527' right of centerline, up to 362' MSL.

Trees beginning 1769' from DER, 107' right of centerline, up to 400' MSL.

Trees beginning 1912' from DER, 309' left of centerline, up to 401' MSL.

Trees beginning 1979' from DER, 44' right of centerline, up to 413' MSL.

Trees beginning 2152' from DER, 344' left of centerline, up to 405' MSL.

Tree 2357' from DER, 850' left of centerline, 418' MSL.

Trees beginning 2362' from DER, 466' right of centerline, up to 421' MSL.

Trees beginning 2380' from DER, 311' left of centerline, up to 419' MSL.

Trees beginning 2399' from DER, 408' right of centerline, up to 98' AGL/425' MSL.

Trees beginning 2441' from DER, 369' right of centerline, up to 427' MSL.

Trees beginning 2524' from DER, 389' right of centerline, up to 428' MSL.

Tree, amusement park structure beginning 2610' from DER, 2' right of centerline, up to 429' MSL.

Trees beginning 2696' from DER, 79' left of centerline, up to 432' MSL.

Tree 2886' from DER, 1015' left of centerline, 97' AGL/440' MSL.

Tree, pole beginning 2913' from DER, 22' left of centerline, up to 448' MSL.

Trees beginning 3017' from DER, 100' left of centerline, up to 451' MSL.

Trees, building, pole beginning 3085' from DER, 185' left of centerline, up to 469' MSL.

Trees, pole beginning 3152' from DER, 15' left of centerline, up to 479' MSL.

Trees beginning 3295' from DER, 192' left of centerline, up to 492' MSL.

Trees, terrain, vertical structure beginning 3981' from DER, 32' left of centerline, up to 466' MSL.

Trees beginning 5419' from DER, 507' right of centerline, up to 529' MSL.

Trees beginning 1.4 NM from DER, 2348' right of centerline, up to 542' MSL.

Trees beginning 1.5 NM from DER, 2642' right of centerline, up to 525' MSL.

ALBION, NY

PINE HILL (9G6)

TAKEOFF MINIMUMS AND (OBSTACLE) DEPARTURE PROCEDURES

TAKEOFF MINIMUMS:

Rwy 10, 300-1.

DEPARTURE PROCEDURE:

Rwy 10, climb runway heading to 1000 before proceeding on course.

ANDOVER, NJ

AEROFLEX-ANDOVER (12N)

TAKEOFF MINIMUMS AND (OBSTACLE) DEPARTURE PROCEDURES

AMDT 2 03JAN19 (19003) (FAA)

TAKEOFF MINIMUMS:

Rwy 3, 400-2¼.

Rwy 21, 500-3 w/min. climb of 220' per NM to 900 or 1400-1½ for VCOA.

DEPARTURE PROCEDURE:

Rwy 3, climb heading 034° to 1200 before proceeding on course.

Rwy 21, climbing right turn on a heading between 270° CW to 030° from DER to 1700 before proceeding on course.

Do not exceed 150K until reaching 1700' MSL.

VCOA:

Rwy 21, obtain ATC approval for VCOA when requesting IFR clearance. Climb in visual conditions to cross Aeroflex—Andover airport at or above 1800 before proceeding on course. Do not exceed 180K until reaching 1800' MSL.

TAKEOFF OBSTACLE NOTES:

Rwy 3, trees beginning 13' from DER, 267' left of centerline, up to 100' AGL/678' MSL.

Trees beginning 379' from DER, 163' left of centerline, up to 100' AGL/688' MSL.

Trees beginning 432' from DER, 582' right of centerline, up to 100' AGL/681' MSL.

CON'T

TAKEOFF MINIMUMS, (OBSTACLE) DEPARTURE PROCEDURES, AND DIVERSE VECTOR AREA (RADAR VECTORS)

21336

NE-2

02 DEC 2021 to 30 DEC 2021

02 DEC 2021 to 30 DEC 2021

TAKEOFF MINIMUMS, (OBSTACLE) DEPARTURE PROCEDURES, AND DIVERSE VECTOR AREA (RADAR VECTORS)

21336

ANDOVER, NJ (CON'T)

AEROFLEX-ANDOVER (12N) (CON'T)

Rwy 3 (CON'T), trees beginning 662' from DER, 59' left of centerline, up to 100' AGL/704' MSL.

Trees beginning 945' from DER, 170' left of centerline, up to 100' AGL/724' MSL.

Tree 1228' from DER, 709' left of centerline, 100' AGL/737' MSL.

Trees beginning 1311' from DER, 66' left of centerline, up to 100' AGL/698' MSL.

Trees beginning 1510' from DER, 391' left of centerline, up to 100' AGL/744' MSL.

Trees beginning 1531' from DER, 575' right of centerline, up to 100' AGL/707' MSL.

Trees beginning 1793' from DER, 502' left of centerline, up to 100' AGL/753' MSL.

Trees beginning 1898' from DER, 568' right of centerline, up to 100' AGL/730' MSL.

Trees beginning 3291' from DER, 626' left of centerline, up to 100' AGL/770' MSL.

Trees beginning 3574' from DER, 198' left of centerline, up to 100' AGL/793' MSL.

Trees beginning 3856' from DER, 95' left of centerline, up to 100' AGL/819' MSL.

Power lines and transmission lines beginning 4555' from DER, right and left of centerline, up to 184' AGL/828' MSL.

Trees beginning 5029' from DER, 90' right of centerline, up to 100' AGL/770' AGL.

Trees beginning 5123' from DER, 5' left of centerline, up to 100' AGL/792' MSL.

Rwy 21, tree 68' from DER, 78' left of centerline, 100' AGL/639' MSL.

Tree 152' from DER, 135' right of centerline, 100' AGL/668' MSL.

Tree 236' from DER, 349' right of centerline, 100' AGL/711' MSL.

Trees beginning 267' from DER, 189' left of centerline, up to 100' AGL/645' MSL.

Trees beginning 320' from DER, 25' right of centerline, up to 100' AGL/740' MSL.

Trees beginning 550' from DER, 85' left of centerline, up to 100' AGL/648' MSL.

Tree 602' from DER, 453' right of centerline, 100' AGL/744' MSL.

Trees beginning 686' from DER, 4' right of centerline, up to 100' AGL/767' MSL.

Trees beginning 1116' from DER, 92' left of centerline, up to 100' AGL/658' MSL.

Trees beginning 1398' from DER, 99' left of centerline, up to 100' AGL/668' MSL.

Trees beginning 2048' from DER, 210' left of centerline, up to 100' AGL/675' MSL.

Tree 3514' from DER, 438' left of centerline, 100' AGL/678' MSL.

Tree 3598' from DER, 223' left of centerline, 100' AGL/681' MSL.

Trees beginning 3681' from DER, 9' left of centerline, up to 100' AGL/684' MSL.

Tree 3964' from DER, 120' left of centerline, 100' AGL/688' MSL.

Tree 4614' from DER, 127' left of centerline, 100' AGL/704' MSL.

Tree 4813' from DER, 451' left of centerline, 100' AGL/714' MSL.

Trees beginning 4896' from DER, 23' left of centerline, up to 100' AGL/730' MSL.

Tree 5095' from DER, 562' left of centerline, 100' AGL/737' MSL.

Tree 5179' from DER, 348' left of centerline, 100' AGL/763' MSL.

Trees beginning 5263' from DER, 133' left of centerline, up to 100' AGL/770' MSL.

Tree 5462' from DER, 458' left of centerline, 100' AGL/786' MSL.

Trees beginning 5546' from DER, 30' left of centerline, up to 100' AGL/799' MSL.

Tree 5745' from DER, 569' left of centerline, 100' AGL/806' MSL.

Trees beginning 5828' from DER, 140' left of centerline, up to 100' AGL/822' MSL.

Trees beginning 5996' from DER, 73' right of centerline, up to 100' AGL/780' MSL.

Trees beginning 1 NM from DER, 37' left of centerline, up to 100' AGL/835' MSL.

Trees beginning 1 NM from DER, 177' right of centerline, up to 100' AGL/783' MSL.

Trees beginning 1 NM from DER, 44' left of centerline, up to 100' AGL/839' MSL.

Trees beginning 1 NM from DER, 66' right of centerline, up to 100' AGL/803' MSL.

Trees beginning 1.1 NM from DER, 59' right of centerline, up to 100' AGL/819' MSL.

Tree 1.1 NM from DER, 907' left of centerline, 100' AGL/842' MSL.

Trees beginning 1.2 NM from DER, 50' left of centerline, up to 100' AGL/852' MSL.

Tree 1.2 NM from DER, 1027' right of centerline, 100' AGL/826' MSL.

Trees beginning 1.2 NM from DER, 488' right of centerline, up to 100' AGL/832' MSL.

Trees beginning 1.2 NM from DER, 370' right of centerline, up to 100' AGL/849' MSL.

ATLANTIC CITY, NJ

ATLANTIC CITY INTL (ACY)

TAKEOFF MINIMUMS AND (OBSTACLE) DEPARTURE PROCEDURES

ORIG-A 12OCT17 (17285) (FAA)

TAKEOFF OBSTACLE NOTES:

Rwy 4, sign 36' from DER, 303' right of centerline, 4' AGL/69' MSL.

Tree 1942' from DER, 803' left of centerline, 127' MSL.

Trees beginning 1967' from DER, 703' left of centerline, up to 130' MSL.

Tree 2014' from DER, 638' left of centerline, 132' MSL.

Trees beginning 2044' from DER, 440' left of centerline, up to 135' MSL.

Tree 2583' from DER, 648' right of centerline, 132' MSL.

Rwy 13, NAVAID 42' from DER, 149' right of centerline, 2' AGL/65' MSL.

Trees beginning 1161' from DER, 710' right of centerline, up to 104' MSL.

Trees beginning 1575' from DER, 814' right of centerline, up to 117' MSL.

Tree 1788' from DER, 922' right of centerline, 118' MSL.

Rwy 22, terrain and NAVAID beginning 5' from DER, 119' right of centerline, up to 63' MSL.

Bush 86' from DER, 475' right of centerline, 64' MSL.

Poles beginning 219' from DER, 446' left of centerline, up to 32' AGL/88' MSL.

Transmission tower and pole beginning 539' from DER, 618' left of centerline, up to 90' MSL.

Tree 848' from DER, 714' right of centerline, 84' MSL.

Trees beginning 949' from DER, 550' right of centerline, up to 96' MSL.

CON'T

TAKEOFF MINIMUMS, (OBSTACLE) DEPARTURE PROCEDURES, AND DIVERSE VECTOR AREA (RADAR VECTORS)

21336

NE-2


**TAKEOFF MINIMUMS, (OBSTACLE) DEPARTURE PROCEDURES, AND
DIVERSE VECTOR AREA (RADAR VECTORS)**


21336

ATLANTIC CITY, NJ (CON'T)**ATLANTIC CITY INTL (ACY) (CON'T)**

Rwy 22 (CON'T), tree 1186' from DER, 800' right of centerline, 98' MSL.
Trees beginning 1402' from DER, 731' left of centerline, up to 116' MSL.
Tree 1412' from DER, 853' right of centerline, 104' MSL.
Trees beginning 2124' from DER, 271' left of centerline, up to 118' MSL.
Tree 2258' from DER, 464' left of centerline, 126' MSL.
Rwy 31, light support structure 10' from DER, 6' left of centerline, 2' AGL/76' MSL.
Light support structure 11' from DER, 4' right of centerline, 2' AGL/77' MSL.
Trees beginning 2405' from DER, 1114' left of centerline, up to 144' MSL.

BATAVIA, NY**GENESEE COUNTY AIRPORT (GVQ)****TAKEOFF MINIMUMS AND (OBSTACLE) DEPARTURE PROCEDURES**

ORIG 02AUG07 (07214) (FAA)

TAKEOFF OBSTACLE NOTES:

Rwy 28, terrain 15' from DER, 72' left of centerline, 919' MSL.
Terrain 19' from DER, 231' right of centerline, 916' MSL.
Multiple trees beginning 608' from DER, 584' left of centerline, up to 100' AGL/1009' MSL.
Tower 1789' from DER, 704' left of centerline, 100' AGL/1005' MSL.

BELMAR-FARMINGDALE, NJ**MONMOUTH EXEC (BLM)****TAKEOFF MINIMUMS AND (OBSTACLE) DEPARTURE PROCEDURES**

AMDT 3 20JUN19 (21112) (FAA)

TAKEOFF MINIMUMS:

Rwy 21, NA - Obstacles.
Rwy 3, std. w/min. climb of 210' per NM to 800, or 1000-3 for VCOA.
VCOA:

Rwy 3, obtain ATC approval for VCOA when requesting IFR clearance. Climb in visual conditions to cross Monmouth Exec airport at or above 1000 before proceeding on course.

TAKEOFF OBSTACLE NOTES:

Rwy 3, fence abeam DER, 81' left of centerline, 2' AGL/150' MSL.
Tree 7' from DER, 394' right of centerline, 28' AGL/157' MSL.
Tree 13' from DER, 243' right of centerline, 42' AGL/178' MSL.
Tree, pole beginning 43' from DER, 257' left of centerline, up to 39' AGL/189' MSL.
Trees beginning 59' from DER, 191' right of centerline, up to 41' AGL/179' MSL.
Trees beginning 112' from DER, 32' right of centerline, up to 45' AGL/186' MSL.
Tree, pole beginning 180' from DER, 3' left of centerline, up to 51' AGL/196' MSL.
Rwy 14, pole 54' from DER, 342' left of centerline, 34' AGL/156' MSL.
Trees beginning 62' from DER, 63' right of centerline, up to 41' AGL/164' MSL.
Trees beginning 161' from DER, 70' right of centerline, up to 75' AGL/177' MSL.
Tree 195' from DER, 88' left of centerline, 32' AGL/162' MSL.
Trees beginning 250' from DER, 408' right of centerline, up to 63' AGL/183' MSL.
Trees beginning 442' from DER, 423' right of centerline, up to 75' AGL/195' MSL.
Trees beginning 627' from DER, 347' right of centerline, up to 76' AGL/196' MSL.
Trees beginning 762' from DER, 293' right of centerline, up to 78' AGL/198' MSL.
Tree 843' from DER, 50' left of centerline, 62' AGL/177' MSL.
Trees beginning 849' from DER, 382' right of centerline, up to 76' AGL/202' MSL.
Trees beginning 928' from DER, 57' right of centerline, up to 78' AGL/203' MSL.
Trees beginning 1137' from DER, 297' left of centerline, up to 75' AGL/184' MSL.
Tree 1556' from DER, 75' left of centerline, 63' AGL/201' MSL.
Trees beginning 1592' from DER, 48' left of centerline, up to 65' AGL/205' MSL.
Tree 1635' from DER, 179' left of centerline, 69' AGL/209' MSL.
Rwy 32, vehicle on road 23' from DER, 322' right of centerline, 121' MSL.
Vehicle on road 53' from DER, 366' left of centerline, 122' MSL.
Vehicle on road beginning 80' from DER, 108' right of centerline, up to 123' MSL.
Trees beginning 107' from DER, 191' right of centerline, up to 69' AGL/176' MSL.
Trees beginning 117' from DER, 364' left of centerline, up to 45' AGL/147' MSL.
Tree 192' from DER, 490' left of centerline, 64' AGL/164' MSL.
Trees beginning 224' from DER, 94' left of centerline, up to 68' AGL/168' MSL.
Trees beginning 1330' from DER, 30' right of centerline, up to 99' AGL/179' MSL.
Trees beginning 1942' from DER, 188' left of centerline, up to 102' AGL/181' MSL.

02 DEC 2021 to 30 DEC 2021

02 DEC 2021 to 30 DEC 2021


**TAKEOFF MINIMUMS, (OBSTACLE) DEPARTURE PROCEDURES, AND
DIVERSE VECTOR AREA (RADAR VECTORS)**


21336

TAKEOFF MINIMUMS, (OBSTACLE) DEPARTURE PROCEDURES, AND DIVERSE VECTOR AREA (RADAR VECTORS)

21336

BERLIN, NJ

CAMDEN COUNTY (19N)

TAKEOFF MINIMUMS AND (OBSTACLE) DEPARTURE PROCEDURES

AMDT 2 13NOV14 (14317) (FAA)

TAKEOFF MINIMUMS:

Rwy 5, 600-1 $\frac{1}{4}$ or std. with a min. climb of 442' per NM to 700.

DEPARTURE PROCEDURE:

Rwy 5, climb heading 050° to 600 before turning on course.

Rwy 23, climb heading 230° to 600 before turning on course.

TAKEOFF OBSTACLE NOTES:

Rwy 5, poles beginning at 1' from DER, 199' left and right of centerline, up to 35' AGL/179' MSL.

Vehicle on road beginning 76' from DER, 7' left and right of centerline, up to 15' AGL/158' MSL.

Trees beginning 73' from DER, 204' left and right of centerline, up to 120' AGL/271' MSL.

Sign 23' from DER, 97' right of centerline, up to 6' AGL/147' MSL.

Towers beginning at 1.2 NM from DER, 246' left and right of centerline, up to 310' AGL/500' MSL.

Rwy 23, poles beginning at 183' from DER, 37' left and right of centerline, up to 36' AGL/186' MSL.

Railroad beginning at 103' from DER, 25' left and of centerline, up to 17' AGL/167' MSL.

Trees beginning 4' from DER, 1' left and right of centerline, up to 79' AGL/234' MSL.

BINGHAMTON, NY

GREATER BINGHAMTON/EDWIN A LINK FLD (BGM)

TAKEOFF MINIMUMS AND (OBSTACLE) DEPARTURE PROCEDURES

ORIG 05JUN08 (21112) (FAA)

TAKEOFF OBSTACLE NOTES:

Rwy 10, trees beginning 143' from DER, 259' left of centerline, up to 29' AGL/1579' MSL.

Rwy 16, trees beginning 162' from DER, 325' left of centerline, up to 100' AGL/1669' MSL.

Rwy 28, trees beginning 157' from DER, 406' left of centerline, up to 52' AGL/1602' MSL.

Rwy 34, antenna 216' from DER, 223' right of centerline, 93' AGL/1643' MSL.

BLAIRSTOWN, NJ

BLAIRSTOWN (1N7)

TAKEOFF MINIMUMS AND (OBSTACLE) DEPARTURE PROCEDURES

AMDT 2 10MAR11 (11069) (FAA)

TAKEOFF MINIMUMS:

Rwy 7, 500-3.

Rwy 25, 600-3.

DEPARTURE PROCEDURE:

Rwy 7, climb heading 074° to 1600 before proceeding on course.

Rwy 25, climb heading 254° to 2100 before proceeding on course.

TAKEOFF OBSTACLE NOTES:

Rwy 7, trees beginning at DER, 276' right of centerline, up to 100' AGL/599' MSL.

Trees beginning at DER, 145' left of centerline, up to 100' AGL/599' MSL.

Rwy 25, trees beginning at DER, 178' right of centerline, up to 100' AGL/559' MSL.

Trees beginning at DER, 220' left of centerline, up to 100' AGL/759' MSL.

BROCKPORT, NY

LEDGEDALE AIRPARK (7G0)

TAKEOFF MINIMUMS AND (OBSTACLE) DEPARTURE PROCEDURES

ORIG 15JAN09 (09015) (FAA)

TAKEOFF OBSTACLE NOTES:

Rwy 10, trees beginning 882' from DER, 568' left of centerline up to 100' AGL/764' MSL.

Rwy 28, tree beginning 1820' from DER, 769' right of centerline up to 100' AGL/764' MSL.

Trees beginning 3049' from DER, 1253' left of centerline up to 100' AGL/759' MSL.

BUFFALO, NY

BUFFALO AIRFIELD (9G0)

TAKEOFF MINIMUMS AND (OBSTACLE) DEPARTURE PROCEDURES

AMDT 1 20NOV08 (08325) (FAA)

TAKEOFF OBSTACLE NOTES:

Rwy 6, trees beginning 2296' from DER, 68' left of centerline, up to 100' AGL/770' MSL.

Tree 4038' from DER, 1425' right of centerline, 100' AGL/779' MSL.

Trees beginning 3080' from DER, 219' right of centerline, up to 100' AGL/769' MSL.

Rwy 24, trees beginning 91' from DER, 208' right of centerline, up to 100' AGL/780' MSL.

Trees beginning 868' from DER, 112' left of centerline, up to 100' AGL/750' MSL.

TAKEOFF MINIMUMS, (OBSTACLE) DEPARTURE PROCEDURES, AND DIVERSE VECTOR AREA (RADAR VECTORS)

21336

NE-2

TAKEOFF MINIMUMS, (OBSTACLE) DEPARTURE PROCEDURES, AND DIVERSE VECTOR AREA (RADAR VECTORS)

21336

BUFFALO, NY (CON'T)

BUFFALO NIAGARA INTL (BUF)

TAKEOFF MINIMUMS AND (OBSTACLE) DEPARTURE PROCEDURES

AMDT 6 26JUL12 (12208) (FAA)

TAKEOFF OBSTACLE NOTES:

Rwy 5, trees beginning 649' from DER, 347' left of centerline, up to 100' AGL/756' MSL.

Trees beginning 1449' from DER, 685' right of centerline, up to 100' AGL/787' MSL.

Rwy 14, trees, poles, signs, and fence 2' from DER, 395' right of centerline, up to 100' AGL/759' MSL.

Trees, poles, and building beginning 329' from DER, 17' left of centerline, up to 100' AGL/790' MSL.

Rwy 23, trees, poles, building, and signs beginning 393' from DER, 108' right of centerline, up to 100' AGL/741' MSL.

Trees, poles, building, and signs beginning 14' from DER, 216' left of centerline, up to 100' AGL/732' MSL.

Rwy 32, trees and poles beginning 632' from DER, 10' right of centerline, up to 100' AGL/753' MSL.

Trees and vegetation beginning 16' from DER, 27' left of centerline, up to 100' AGL/756' MSL.

CALDWELL, NJ

ESSEX COUNTY (CDW)

TAKEOFF MINIMUMS AND (OBSTACLE) DEPARTURE PROCEDURES

AMDT 2A 08NOV18 (18312) (FAA)

TAKEOFF MINIMUMS:

Rwy 10, NA - Obstacles.

Rwy 22, 300-1/4 or std. w/min. climb of 655' per NM to 400.

DEPARTURE PROCEDURE:

Rwy 4, climb heading 043° to 1000 before turning right.

Rwy 22, climb heading 223° to 900 before turning left.

Rwy 28, climb heading 276° to 1100 before turning right.

TAKEOFF OBSTACLE NOTES:

Rwy 4, sign 18' from DER, 150' right of centerline, 3' AGL/173' MSL.

Tree 20' from DER, 310' left of centerline, 257' MSL.

Trees, fence beginning 21' from DER, 24' right of centerline, up to 105' AGL/268' MSL.

Trees beginning 324' from DER, 322' left of centerline, up to 272' MSL.

Trees, pole, buildings beginning 385' from DER, 2' left of centerline, up to 110' AGL/277' MSL.

Trees beginning 3620' from DER, 527' right of centerline, up to 280' MSL.

Rwy 22, trees, poles, vegetation, buildings, NAVAID, fence, vehicle on road beginning 1' from DER, on centerline, up to 96' AGL/263' MSL.

Trees, buildings, poles beginning 952' from DER, 62' right of centerline, up to 269' MSL.

Trees, buildings, poles beginning 1101' from DER, 5' right of centerline, up to 270' MSL.

Trees, poles, buildings beginning 1464' from DER, 27' left of centerline, up to 273' MSL.

Trees beginning 1535' from DER, 249' right of centerline, up to 284' MSL.

Trees, buildings beginning 1554' from DER, 358' right of centerline, up to 285' MSL.

Trees, buildings, vehicle on road, terrain beginning 1580' from DER, 51' left of centerline, up to 293' MSL.

Trees beginning 1787' from DER, 81' right of centerline, up to 295' MSL.

Trees, terrain, buildings beginning 1860' from DER, 48' right of centerline, up to 85' AGL/324' MSL.

Trees, traverse way, terrain, buildings, poles, fence, tower beginning 2216' from DER, 15' right of centerline, up to 84' AGL/343' MSL.

Rwy 28, building 28' from DER, 475' left of centerline, 196' MSL.

Trees beginning 51' from DER, 176' left of centerline, up to 48' AGL/214' MSL.

Trees, buildings, traverse way, poles beginning 116' from DER, 15' left of centerline, up to 71' AGL/237' MSL.

Tree 357' from DER, 156' right of centerline, 25' AGL/193' MSL.

Trees, buildings, traverse way, poles beginning 363' from DER, 15' right of centerline, up to 240' MSL.

Trees, poles beginning 533' from DER, 170' left of centerline, up to 241' MSL.

Trees, vehicle on road, buildings, poles beginning 592' from DER, 15' left of centerline, up to 242' MSL.

Trees, buildings, poles beginning 921' from DER, 22' right of centerline, up to 82' AGL/255' MSL.

Trees beginning 1790' from DER, 201' left of centerline, up to 76' AGL/249' MSL.

Trees beginning 2287' from DER, 30' right of centerline, up to 259' MSL.

Trees beginning 2515' from DER, 32' left of centerline, up to 76' AGL/252' MSL.

Trees beginning 3062' from DER, 62' left of centerline, up to 87' AGL/259' MSL.

Trees beginning 3093' from DER, 67' right of centerline, up to 264' MSL.

Trees beginning 3131' from DER, 86' left of centerline, up to 260' MSL.

Trees beginning 3216' from DER, 53' right of centerline, up to 265' MSL.

Trees beginning 3360' from DER, 86' left of centerline, up to 96' AGL/267' MSL.

CANANDAIGUA, NY

CANANDAIGUA (IUA)

TAKEOFF MINIMUMS AND (OBSTACLE) DEPARTURE PROCEDURES

AMDT 1 13NOV14 (14317) (FAA)

TAKEOFF OBSTACLE NOTES:

Rwy 13, ground 28' from DER, 301' left of centerline, 818' MSL.

Trees beginning 76' from DER, 444' right of centerline, up to 100' AGL/901' MSL.

Trees beginning 1147' from DER, 164' left of centerline, up to 100' AGL/855' MSL.

Rwy 31, ground 6' from DER, 489' left of centerline, 797' MSL.

Pole 197' from DER, 390' right of centerline, 39' AGL/823' MSL.

Trees beginning 850' from DER, 146' left of centerline, up to 100' AGL/873' MSL.

TAKEOFF MINIMUMS, (OBSTACLE) DEPARTURE PROCEDURES, AND DIVERSE VECTOR AREA (RADAR VECTORS)

21336

NE-2

TAKEOFF MINIMUMS, (OBSTACLE) DEPARTURE PROCEDURES, AND DIVERSE VECTOR AREA (RADAR VECTORS)

21336

CORTLAND, NY

CORTLAND COUNTY/CHASE FLD (N03)

TAKEOFF MINIMUMS AND (OBSTACLE) DEPARTURE PROCEDURES

AMDT 3 31MAY12 (21336) (FAA)

TAKEOFF MINIMUMS:

Rwy 6, std. w/min. climb of 328' per NM to 2200, or 1500-3 for climb in visual conditions.**Rwy 24**, 500-2 or std. w/min. climb of 435' per NM to 1800.

DEPARTURE PROCEDURE:

Rwy 6, climb heading 059° to 2200 before turning; or for climb in visual conditions: cross Cortland County/Chase Fld airport at or above 2500' MSL before proceeding on course.**Rwy 24**, climb heading 239° to 2200 before turning.

TAKEOFF OBSTACLE NOTES:

Rwy 6, vehicles on roadway, 755' from DER, across centerline, 15' AGL/1234' MSL.

Trees beginning 838' from DER, 415' right of centerline, up to 100' AGL/1299' MSL.

Trees beginning 2114' from DER, 326' left of centerline, up to 100' AGL/1339' MSL.

Tower 2.5 NM from DER, 595' right of centerline, 192' AGL/1624' MSL.

Rwy 24, trees beginning 749' from DER, 94' right of centerline, up to 100' AGL/1439' MSL.

Vehicles on roadway, 1364' from DER, across centerline, 17' AGL/1236' MSL.

Trees beginning 1.01 NM from DER, 1872' right of centerline, up to 100' AGL/1559' MSL.

CROSS KEYS, NJ

CROSS KEYS (17N)

TAKEOFF MINIMUMS AND (OBSTACLE) DEPARTURE PROCEDURES

AMDT 1 17DEC09 (09351) (FAA)

TAKEOFF OBSTACLE NOTES:

Rwy 9, trees beginning 81' from DER, 76' right of centerline, up to 100' AGL/289' MSL.

Trees beginning 1914' from DER, 834' left of centerline, up to 100' AGL/279' MSL.

Pole 4369' from DER, 643' left of centerline, 147' AGL/303' MSL.

Rwy 27, trees beginning 50' from DER, 20' right of centerline, up to 100' AGL/259' MSL.

Tree 2099' from DER, 893' left of centerline, 100 AGL/249' MSL.

DANSVILLE, NY

DANSVILLE MUNI (DSV)

TAKEOFF MINIMUMS AND (OBSTACLE) DEPARTURE PROCEDURES

AMDT 2A 22JUN17 (17173) (FAA)

TAKEOFF MINIMUMS:

Rwy 14, std. w/min. climb of 482' per NM to 3000, or 2000-3 for climb in visual conditions.**Rwy 32**, std. w/min. climb of 399' per NM to 2400, or 700-2½ w/min. climb of 321' per NM to 2400, or 2000-3 for climb in visual conditions.

DEPARTURE PROCEDURE:

Rwy 14, climb heading 137° to 3000 or for climb in visual conditions cross Dansville Muni airport at or above 2500 MSL before proceeding on course.**Rwy 32**, climb heading 317° to 2400 or for climb in visual conditions cross Dansville Muni airport at or above 2500 MSL before proceeding on course.

TAKEOFF OBSTACLE NOTES:

Rwy 14, vehicle on roadway, at DER, 377' left of centerline, 15' AGL/675' MSL.

Trees beginning 7725' from DER, 635' left of centerline, up to 50' AGL/1409' MSL.

Vehicle on roadway, 174' from DER, 536' right of centerline, 15' AGL/675' MSL.

Trees beginning 1.8 NM from DER, 94' right of centerline, 50' AGL/1349' MSL.

Rwy 32, vehicle on roadway, 41' from DER, 470' left of centerline, 15' AGL/651' MSL.

Trees beginning 8840' from DER, 1396' left of centerline, up to 50' AGL/1249' MSL.

DUNKIRK, NY

CHAUTAUQUA COUNTY/ DUNKIRK (DKK)

TAKEOFF MINIMUMS AND (OBSTACLE) DEPARTURE PROCEDURES

AMDT 3 01FEB18 (18032) (FAA)

TAKEOFF MINIMUMS:

Rwy 6, std. or 2300-3 for climb in visual conditions.**Rwy 15**, std. w/min. climb of 455' per NM to 2500 or 2300-3 for climb in visual conditions.**Rwy 24**, std. w/min. climb of 220' per NM to 2500 or 2300-3 for climb in visual conditions.**Rwy 33**, std. w/min. climb of 250' per NM to 2000 or 2300-3 for climb in visual conditions.

DEPARTURE PROCEDURE:

Rwy 6, climb heading 059° to 1900 before turning.**Rwy 15**, climb heading 149° to 3400 before turning.**Rwy 24**, climb heading 239° to 2600 before turning.**Rwy 33**, climb heading 329° to 1900 before turning.

VCOA:

Rwys 6, 15, 24, 33, obtain ATC approval for VCOA when requesting IFR clearance. Climb in visual conditions to cross Chautauqua County / Dunkirk airport at or above 2800 before proceeding on course.

CON'T

TAKEOFF MINIMUMS, (OBSTACLE) DEPARTURE PROCEDURES, AND DIVERSE VECTOR AREA (RADAR VECTORS)

21336

NE-2



TAKEOFF MINIMUMS, (OBSTACLE) DEPARTURE PROCEDURES, AND DIVERSE VECTOR AREA (RADAR VECTORS)



21336

DUNKIRK, NY (CON'T)

CHAUTAUQUA COUNTY/ DUNKIRK (DKK) (CON'T)

TAKEOFF OBSTACLE NOTES:

Rwy 6, NAVAID 11' from DER, 91' left of centerline, 3' AGL/663' MSL.
Lighting 11' from DER, 30' right of centerline, 1' AGL/662' MSL.
Tree 657' from DER, 104' left of centerline, 696' MSL.
Trees beginning 739' from DER, 203' right of centerline, up to 704' MSL.
Trees beginning 756' from DER, 56' left of centerline, up to 730' MSL.
Tree 849' from DER, 298' right of centerline, 711' MSL.
Trees beginning 866' from DER, 228' right of centerline, up to 717' MSL.
Trees and poles beginning 964' from DER, 13' left of centerline, up to 736' MSL.
Trees beginning 1150' from DER, 48' right of centerline, up to 721' MSL.
Trees and poles beginning 1303' from DER, 27' right of centerline, up to 728' MSL.
Trees beginning 2376' from DER, 383' right of centerline, up to 741' MSL.
Trees and pole beginning 2424' from DER, 39' right of centerline, up to 761' MSL.
Tree 2736' from DER, 44' left of centerline, 740' MSL.
Trees beginning 2807' from DER, 66' left of centerline, up to 743' MSL.
Tree 3298' from DER, 990' left of centerline, 746' MSL.
Tree 3418' from DER, 1240' left of centerline, 749' MSL.
Rwy 15, electrical system 2' from DER, 156' right of centerline, 2' AGL/694' MSL.
Tree 5' from DER, 32' left of centerline, 1061' MSL.
Tree 7' from DER, 673' right of centerline, 1061' MSL.
Electrical system 9' from DER, 29' left of centerline, 3' AGL/695' MSL.
Tree 33' from DER, 949' right of centerline, 1062' MSL.
Tree and vegetation beginning 102' from DER, 423' left of centerline, up to 1058' MSL.
Tree 126' from DER, 2852' right of centerline, 1079' MSL.
Trees beginning 168' from DER, 1267' right of centerline, up to 1108' MSL.
Trees and fence beginning 349' from DER, 260' right of centerline, up to 1118' MSL.
Trees beginning 362' from DER, 173' left of centerline, up to 1071' MSL.
Trees beginning 514' from DER, 594' right of centerline, up to 773' MSL.
Trees beginning 537' from DER, 3296' right of centerline, up to 1122' MSL.
Tree 566' from DER, 661' left of centerline, 1090' MSL.
Trees beginning 620' from DER, 2278' right of centerline, up to 1151' MSL.
Tree 667' from DER, 1055' left of centerline, 1091' MSL.
Trees beginning 718' from DER, 259' right of centerline, up to 1155' MSL.
Trees beginning 740' from DER, 130' left of centerline, up to 1098' MSL.
Trees beginning 860' from DER, 251' left of centerline, up to 1105' MSL.
Tree 893' from DER, 250' left of centerline, 744' MSL.
Tree 948' from DER, 608' left of centerline, 765' MSL.
Tree 951' from DER, 1814' left of centerline, 1101' MSL.
Tree 1057' from DER, 190' left of centerline, 731' MSL.
Trees beginning 1183' from DER, 1274' left of centerline, up to 1131' MSL.
Tree 1227' from DER, 111' right of centerline, 748' MSL.
Tree 1237' from DER, 3974' right of centerline, 1140' MSL.
Tree 1259' from DER, 1505' right of centerline, 1144' MSL.
Tree 1263' from DER, 9' right of centerline, 1158' MSL.
Tree 1277' from DER, 520' left of centerline, 1152' MSL.
Tree 1279' from DER, 156' left of centerline, 766' MSL.
Trees beginning 1286' from DER, 681' right of centerline, up to 1159' MSL.
Trees beginning 1293' from DER, 46' left of centerline, up to 1145' MSL.
Tree, pole, and transmission line beginning 1324' from DER, 82' right of centerline, up to 745' MSL.
Tree 1359' from DER, 3174' right of centerline, 1143' MSL.
Tree 1407' from DER, 3804' right of centerline, 1149' MSL.
Tree 1453' from DER, 109' right of centerline, 749' MSL.
Tree 1462' from DER, 282' left of centerline, 746' MSL.
Vegetation 1465' from DER, 4041' left of centerline, 100' AGL/1111' MSL.
Trees beginning 1470' from DER, 105' right of centerline, up to 757' MSL.
Tree 1509' from DER, 173' left of centerline, 739' MSL.
Tree 1539' from DER, 2232' left of centerline, 1124' MSL.
Trees beginning 1550' from DER, 262' left of centerline, up to 1160' MSL.
Tree 1599' from DER, 2403' right of centerline, 1167' MSL.
Trees beginning 1637' from DER, 165' right of centerline, up to 1168' MSL.
Vegetation and trees beginning 1666' from DER, 91' right of centerline, up to 100' AGL/1193' MSL.
Tree 1701' from DER, 429' left of centerline, 1168' MSL.
Tree 1759' from DER, 271' right of centerline, 762' MSL.
Trees beginning 1768' from DER, 663' left of centerline, up to 1171' MSL.
Trees beginning 1770' from DER, 41' right of centerline, up to 1162' MSL.
Tree 1805' from DER, 662' left of centerline, 769' MSL.
Trees beginning 1806' from DER, 2070' right of centerline, up to 1179' MSL.
Tree 1826' from DER, 742' right of centerline, 767' MSL.
Vegetation 1832' from DER, 4014' left of centerline, 100' AGL/1134' MSL.
Tree 1838' from DER, 2116' left of centerline, 1156' MSL.
Trees beginning 1853' from DER, 153' right of centerline, up to 1174' MSL.
Tree, vegetation beginning 1867' from DER, 504' left of centerline, up to 1173' MSL.
Trees beginning 1894' from DER, 2679' right of centerline, up to 1179' MSL.

CON'T

02 DEC 2021 to 30 DEC 2021

02 DEC 2021 to 30 DEC 2021



TAKEOFF MINIMUMS, (OBSTACLE) DEPARTURE PROCEDURES, AND DIVERSE VECTOR AREA (RADAR VECTORS)



21336

NE-2

TAKEOFF MINIMUMS, (OBSTACLE) DEPARTURE PROCEDURES, AND DIVERSE VECTOR AREA (RADAR VECTORS)

21336

DUNKIRK, NY (CON'T)

CHAUTAUQUA COUNTY/ DUNKIRK (DKK) (CON'T)

Rwy 15 (CON'T), tree 1952' from DER, 2435' right of centerline, 1184' MSL.

Vegetation and tree beginning 2041' from DER, 734' right of centerline, up to 100' AGL/1193' MSL.

Trees beginning 2135' from DER, 308' left of centerline, up to 1207' MSL.

Trees beginning 2221' from DER, 2217' right of centerline, up to 1199' MSL.

Tree 2273' from DER, 351' left of centerline, 779' MSL.

Trees and vegetation beginning 2284' from DER, 1172' left of centerline, up to 1210' MSL.

Vegetation and trees beginning 2310' from DER, 909' right of centerline, up to 100' AGL/1219' MSL.

Tree 2386' from DER, 307' left of centerline, 792' MSL.

Tree 2391' from DER, 967' left of centerline, 804' MSL.

Vegetation beginning 2416' from DER, 4010' right of centerline, up to 100' AGL/1223' MSL.

Tree 2419' from DER, 2817' left of centerline, 1153' MSL.

Trees beginning 2467' from DER, 134' left of centerline, up to 795' MSL.

Vegetation 2549' from DER, 4328' left of centerline, 100' AGL/1150' MSL.

Tree 2550' from DER, 326' left of centerline, 783' MSL.

Tree 2553' from DER, 528' left of centerline, 800' MSL.

Trees beginning 2557' from DER, 5' left of centerline, up to 1227' MSL.

Trees beginning 2565' from DER, 1135' right of centerline, up to 1223' MSL.

Trees beginning 2632' from DER, 2545' right of centerline, up to 1230' MSL.

Tree 2633' from DER, 266' left of centerline, 801' MSL.

Trees beginning 2643' from DER, 84' left of centerline, up to 809' MSL.

Vegetation and trees beginning 2682' from DER, 28' right of centerline, up to 100' AGL/1252' MSL.

Tree 2733' from DER, 1936' left of centerline, 1204' MSL.

Tree 2737' from DER, 382' left of centerline, 795' MSL.

Vegetation 2740' from DER, 4130' left of centerline, 100' AGL/1141' MSL.

Tree 2742' from DER, 2' left of centerline, 792' MSL.

Trees beginning 2778' from DER, 122' left of centerline, up to 803' MSL.

Tree 2799' from DER, 1824' left of centerline, 1202' MSL.

Trees beginning 2802' from DER, 677' left of centerline, up to 1235' MSL.

Trees beginning 2875' from DER, 36' left of centerline, up to 805' MSL.

Vegetation 2912' from DER, 4300' left of centerline, 100' AGL/1144' MSL.

Tree 2921' from DER, 977' left of centerline, 1237' MSL.

Trees beginning 2937' from DER, 109' left of centerline, up to 802' MSL.

Vegetation, trees, poles and transmission lines beginning 3056' from DER, 3' right of centerline, up to 100' AGL/1259' MSL.

Trees and vegetation beginning 3058' from DER, 67' left of centerline, up to 1168' MSL.

Trees, transmission lines, and poles beginning 3122' from DER, 202' left of centerline, up to 793' MSL.

Transmission line, pole and Trees beginning 3646' from DER, 96' left of centerline, up to 76' AGL/800' MSL.

Tree 4345' from DER, 1386' left of centerline, 806' MSL.

Tree 4747' from DER, 500' left of centerline, 824' MSL.

Trees beginning 5139' from DER, 24' left of centerline, up to 854' MSL.

Trees beginning 5779' from DER, 265' left of centerline, up to 857' MSL.

Tree 1 NM from DER, 30' left of centerline, 865' MSL.

Tree 1.1 NM from DER, 235' left of centerline, 872' MSL.

Trees beginning 1.1 NM from DER, 78' left of centerline, up to 876' MSL.

Trees beginning 1.1 NM from DER, 68' left of centerline, up to 880' MSL.

Trees beginning 1.2 NM from DER, 783' left of centerline, up to 882' MSL.

Tree 1.2 NM from DER, 1615' left of centerline, 885' MSL.

Trees beginning 1.2 NM from DER, 971' left of centerline, up to 889' MSL.

Trees beginning 1.2 NM from DER, 766' left of centerline, up to 892' MSL.

Tree 1.2 NM from DER, 1091' left of centerline, 893' MSL.

Tree 1.3 NM from DER, 1450' left of centerline, 900' MSL.

Trees beginning 1.3 NM from DER, 1106' left of centerline, up to 904' MSL.

Trees beginning 1.3 NM from DER, 969' left of centerline, up to 912' MSL.

Trees beginning 1.3 NM from DER, 1370' left of centerline, up to 915' MSL.

Tree 1.4 NM from DER, 2147' left of centerline, 926' MSL.

Tree 1.5 NM from DER, 1329' left of centerline, 936' MSL.

Trees beginning 1.6 NM from DER, 1733' left of centerline, up to 954' MSL.

Tree 1.6 NM from DER, 2216' left of centerline, 956' MSL.

Tree 1.8 NM from DER, 1162' left of centerline, 989' MSL.

Trees beginning 1.9 NM from DER, 2071' left of centerline, up to 1026' MSL.

Tree 1.9 NM from DER, 544' left of centerline, 1046' MSL.

Rwy 24, lighting 9' from DER, 95' left of centerline, 2' AGL/675' MSL.

Lighting 9' from DER, 99' right of centerline, 2' AGL/675' MSL.

Terrain beginning 23' from DER, 334' left of centerline, up to 683' MSL.

Trees beginning 745' from DER, 89' left of centerline, up to 749' MSL.

Trees beginning 1337' from DER, 8' right of centerline, up to 741' MSL.

Trees beginning 2095' from DER, 134' left of centerline, up to 757' MSL.

Tree 2504' from DER, 1041' right of centerline, 744' MSL.

Tree 3186' from DER, 445' left of centerline, 758' MSL.

Trees beginning 3193' from DER, 405' left of centerline, up to 768' MSL.

Trees beginning 3300' from DER, 424' left of centerline, up to 772' MSL.

Trees beginning 3462' from DER, 405' left of centerline, up to 778' MSL.

Tree 3522' from DER, 107' right of centerline, 774' MSL.

Tree 3564' from DER, 892' left of centerline, 779' MSL.

CON'T

02 DEC 2021 to 30 DEC 2021

02 DEC 2021 to 30 DEC 2021

TAKEOFF MINIMUMS, (OBSTACLE) DEPARTURE PROCEDURES, AND DIVERSE VECTOR AREA (RADAR VECTORS)

21336

NE-2


**TAKEOFF MINIMUMS, (OBSTACLE) DEPARTURE PROCEDURES, AND
DIVERSE VECTOR AREA (RADAR VECTORS)**


21336

DUNKIRK, NY (CON'T)**CHAUTAUQUA COUNTY/ DUNKIRK (DKK) (CON'T)**

- Rwy 24 (CON'T)**, trees beginning 3573' from DER, 370' left of centerline, up to 785' MSL.
Trees beginning 3665' from DER, 875' left of centerline, up to 788' MSL.
- Rwy 33**, vegetation 7' from DER, 436' left of centerline, 674' MSL.
Tree 912' from DER, 29' left of centerline, 691' MSL.
Trees beginning 945' from DER, 148' left of centerline, up to 694' MSL.
Tree 957' from DER, 65' right of centerline, 685' MSL.
Tree 1080' from DER, 234' left of centerline, 704' MSL.
Trees beginning 1161' from DER, 178' left of centerline, up to 721' MSL.
Trees beginning 1183' from DER, 110' right of centerline, up to 715' MSL.
Trees beginning 1622' from DER, 46' left of centerline, up to 722' MSL.
Tree 2189' from DER, 287' right of centerline, 719' MSL.
Tree 2290' from DER, 19' right of centerline, 724' MSL.
Tree 2366' from DER, 150' right of centerline, 727' MSL.
Tree 2401' from DER, 11' right of centerline, 735' MSL.
Tree 2516' from DER, 11' left of centerline, 724' MSL.
Tree 2523' from DER, 827' left of centerline, 730' MSL.
Tree 3296' from DER, 190' right of centerline, 747' MSL.

EAST HAMPTON, NY**EAST HAMPTON (HTO)****TAKEOFF MINIMUMS AND (OBSTACLE) DEPARTURE PROCEDURES**

AMDT 3A 03MAR16 (16063) (FAA)

TAKEOFF MINIMUMS:

- Rwy 34**, 300-1¼ or std. w/ min. climb of 430' per NM to 400.

TAKEOFF OBSTACLE NOTES:

- Rwy 10**, tree and vehicles on roadway beginning 107' from DER, 259' left of centerline, up to 52' AGL/85' MSL.
Tree and vehicles on roadway beginning 297' from DER, on centerline, up to 52' AGL/79' MSL.
Trees beginning 370' from DER, 296' left of centerline, up to 60' AGL/93' MSL.
Trees beginning 580' from DER, 290' right of centerline, up to 61' AGL/88' MSL.
Tree 1105' from DER, 427' left of centerline, 56' AGL/95' MSL.
Trees beginning 1131' from DER, 405' left of centerline, up to 59' AGL/98' MSL.
Trees beginning 1493' from DER, 89' left of centerline, up to 65' AGL/100' MSL.
Trees beginning 1862' from DER, 386' left of centerline, up to 66' AGL/102' MSL.
Tree 2227' from DER, 520' right of centerline, 58' AGL/90' MSL.
- Rwy 16**, tree and vehicles on roadway beginning 177' from DER, 122' right of centerline, up to 44' AGL/78' MSL.
Tree 375' from DER, 195' left of centerline, 35' AGL/62' MSL.
Tree 607' from DER, 205' left of centerline, 49' AGL/75' MSL.
Tree and railroad beginning 770' from DER, 4' left of centerline, up to 50' AGL/76' MSL.
- Rwy 28**, trees beginning 53' from DER, 289' left of centerline, up to 49' AGL/103' MSL.
Trees beginning 221' from DER, 290' right of centerline, up to 49' AGL/107' MSL.
Tree 658' from DER, 397' right of centerline, 57' AGL/117' MSL.
Trees beginning 786' from DER, 303' left of centerline, up to 52' AGL/115' MSL.
Trees 1034' from DER, 421' right of centerline, up to 59' AGL/123' MSL.
Trees beginning 1170' from DER, 261' right of centerline, up to 67' AGL/128' MSL.
Trees beginning 1691' from DER, 5' right of centerline, up to 63' AGL/133' MSL.
Tree 1698' from DER, 592' left of centerline, 57' AGL/126' MSL.
Tree 2171' from DER, 668' left of centerline, 64' AGL/133' MSL.
Trees beginning 2353' from DER, 308' left of centerline, up to 67' AGL/137' MSL.
Trees beginning 2695' from DER, 283' left of centerline, up to 66' AGL/138' MSL.
Trees beginning 3245' from DER, 336' right of centerline, up to 65' AGL/143' MSL.
- Rwy 34**, tree and vehicles on roadway beginning 54' from DER, on centerline, up to 43' AGL/81' MSL.
Tree 103' from DER, 151' left of centerline, 36' AGL/76' MSL.
Tree 354' from DER, 188' left of centerline, 41' AGL/81' MSL.
Tree 654' from DER, 212' left of centerline, 48' AGL/86' MSL.
Powerlines beginning 1264' from DER, left and right of centerline, up to 132' AGL/176' MSL.
Tree 2499' from DER, 498' left of centerline, 36' AGL/144' MSL.
Tree 3947' from DER, 1539' left of centerline, 100' AGL/259' MSL.
Tree 6049' from DER, 1980' left of centerline, 100' AGL/239' MSL.

02 DEC 2021 to 30 DEC 2021

02 DEC 2021 to 30 DEC 2021


**TAKEOFF MINIMUMS, (OBSTACLE) DEPARTURE PROCEDURES, AND
DIVERSE VECTOR AREA (RADAR VECTORS)**


21336

NE-2

TAKEOFF MINIMUMS, (OBSTACLE) DEPARTURE PROCEDURES, AND DIVERSE VECTOR AREA (RADAR VECTORS)

21336

ELLENVILLE, NY

JOSEPH Y RESNICK (N89)

TAKEOFF MINIMUMS AND (OBSTACLE) DEPARTURE PROCEDURES

AMDT 1 15NOV12 (12320) (FAA)

TAKEOFF MINIMUMS:

Rwy 4, 400-1½ w/min. climb of 402' per NM to 4300 or std. w/min. climb of 490' per NM to 4300 or 2700-3 for climb in visual conditions.

Rwy 22, std. w/min. climb of 470' per NM to 2000 or 2700-3 for climb in visual conditions.

DEPARTURE PROCEDURE:

Rwy 4, climb on heading 047° to 4300' before proceeding on course or for climb in visual conditions, cross Joseph Y Resnick airport at or above 2800 before proceeding on course. When executing VCOA, notify ATC prior to departure.

Rwy 22, climb on heading 235° to 2900' before proceeding on course or for climb in visual conditions, cross Joseph Y Resnick airport at or above 2800 before proceeding on course. When executing VCOA, notify ATC prior to departure.

TAKEOFF OBSTACLE NOTES:

Rwy 4, trees 20' from DER, 11' right of centerline, up to 109' AGL/419' MSL.

Trees 1187' from DER, 456' left of centerline, up to 109' AGL/399' MSL.

Trees 2154' from DER, 416' right of centerline, 109' AGL/379' MSL.

Trees 2962' from DER, 780' left of centerline, 109' AGL/399' MSL.

Trees 4024' from DER, 1005' left of centerline, 109' AGL/419' MSL.

Rwy 22, trees beginning at DER, 175' right of centerline, up to 109' AGL/419' MSL.

Trees beginning at DER, 288' left of centerline, up to 109' AGL/419' MSL.

Pole 2196' from DER, 169' left of centerline, 84' AGL/384' MSL.

ELMIRA, NY

ELMIRA/CORNING RGNL (ELM)

TAKEOFF MINIMUMS AND (OBSTACLE) DEPARTURE PROCEDURES

AMDT 10 20JUN19 (19171) (FAA)

TAKEOFF MINIMUMS:

Rwys 5, 23, NA-ATC.

Rwy 6, 500-2% or std. w/min. climb of 350' per NM to 1500.

Rwy 10, 500-2 w/min. climb of 270' per NM to 2200 or std. w/min. climb of 420' per NM to 1500, or 2100-3 for VCOA.

Rwy 24, std. w/min. climb of 420' per NM to 2300, or 2100-3 for VCOA.

Rwy 28, 900-3 w/min. climb of 380' per NM to 2400 or std. w/min. climb of 650' per NM to 2100, or 2100-3 for VCOA.

DEPARTURE PROCEDURE:

Rwy 6, climb heading 062° to 2100 before proceeding on course.

Rwy 10, climb heading 101° to 2500 before proceeding on course.

Rwy 24, climb heading 242° to 2600 before proceeding on course.

Rwy 28, climb heading 281° to 2300 before proceeding on course.

VCOA:

Rwys 10, 24, 28, obtain ATC approval for VCOA when requesting IFR clearance. Climb in visual conditions to cross Elmira/Corning Rgnl airport at or above 2900 before proceeding on course.

TAKEOFF OBSTACLE NOTES:

Rwy 6, tree 581' from DER, 655' left of centerline, 25' AGL/976' MSL.

Tree 582' from DER, 513' left of centerline, 994' MSL.

Pole 597' from DER, on centerline, 20' AGL/970' MSL.

Trees beginning 1657' from DER, 820' left of centerline, up to 1023' MSL.

Trees beginning 3057' from DER, 383' right of centerline, up to 1039' MSL.

Tree 3434' from DER, 192' right of centerline, 1044' MSL.

Trees beginning 1.3 NM from DER, 2285' left of centerline, 1213' MSL.

Trees beginning 1.4 NM from DER, 2277' left of centerline, 1318' MSL.

Trees beginning 1.5 NM from DER, 1755' left of centerline, up to 1363' MSL.

Trees, terrain beginning 1.9 NM from DER, 1471' left of centerline, up to 1371' MSL.

Trees, poles beginning 2 NM from DER, 1776' left of centerline, up to 1412' MSL.

Trees beginning 2.1 NM from DER, 2282' left of centerline, up to 1423' MSL.

Rwy 10, fence 25' from DER, 494' left of centerline, 4' AGL/947' MSL.

Tree 549' from DER, 37' left of centerline, 969' MSL.

Tree 656' from DER, 329' left of centerline, 984' MSL.

Tree 701' from DER, 498' right of centerline, 969' MSL.

Tree 767' from DER, 666' left of centerline, 987' MSL.

Trees, poles beginning 782' from DER, 67' left of centerline, up to 998' MSL.

Tree 819' from DER, 413' right of centerline, 975' MSL.

Trees beginning 888' from DER, 110' right of centerline, up to 979' MSL.

Tree 1317' from DER, 613' right of centerline, 987' MSL.

Poles beginning 1351' from DER, 125' right of centerline, up to 51' AGL/998' MSL.

Pole 1743' from DER, 937' left of centerline, 38' AGL/999' MSL.

Poles, building beginning 1800' from DER, 235' left of centerline, up to 41' AGL/1000' MSL.

Tree 2051' from DER, 552' right of centerline, 1006' MSL.

Building, poles beginning 2160' from DER, 129' left of centerline, up to 47' AGL/1011' MSL.

Poles, building beginning 2383' from DER, 427' left of centerline, up to 50' AGL/1015' MSL.

Tree 2519' from DER, 616' right of centerline, 1012' MSL.

Poles beginning 2604' from DER, 304' left of centerline, up to 53' AGL/1019' MSL.

Pole 2703' from DER, 1215' left of centerline, 53' AGL/1020' MSL.

Tree 2737' from DER, 584' right of centerline, 1013' MSL.

Pole 2965' from DER, 1221' left of centerline, 52' AGL/1021' MSL.

CON'T

TAKEOFF MINIMUMS, (OBSTACLE) DEPARTURE PROCEDURES, AND DIVERSE VECTOR AREA (RADAR VECTORS)

21336

NE-2

TAKEOFF MINIMUMS, (OBSTACLE) DEPARTURE PROCEDURES, AND DIVERSE VECTOR AREA (RADAR VECTORS)

21336

ELMIRA, NY (CON'T)

ELMIRA/CORNING RGNL (ELM) (CON'T)

Rwy 10 (CON'T), tree 5322' from DER, 1786' right of centerline, 1096' MSL.

Trees beginning 5460' from DER, 1787' right of centerline, up to 1152' MSL.

Tree 5617' from DER, 1992' right of centerline, 1160' MSL.

Trees beginning 5776' from DER, 1776' right of centerline, up to 1171' MSL.

Trees beginning 5886' from DER, 1852' right of centerline, up to 1178' MSL.

Trees beginning 1 NM from DER, 1773' right of centerline, up to 1215' MSL.

Trees beginning 1.1 NM from DER, 1783' right of centerline, up to 1288' MSL.

Trees beginning 1.2 NM from DER, 1990' right of centerline, up to 1351' MSL.

Trees, towers beginning 1.3 NM from DER, 1640' right of centerline, up to 1357' MSL.

Tower 1.6 NM from DER, 1748' right of centerline, up to 1237' MSL.

Rwy 24, terrain 12' from DER, 8' right of centerline, 944' MSL.

Terrain 34' from DER, 13' left of centerline, 944' MSL.

Sign 871' from DER, 634' left of centerline, 27' AGL/968' MSL.

Tree 962' from DER, 747' left of centerline, 991' MSL.

Tree 1455' from DER, 704' left of centerline, 59' AGL/997' MSL.

Trees beginning 1667' from DER, 529' left of centerline, up to 1006' MSL.

Rwy 28, terrain 27' from DER, 370' right of centerline, 940' MSL.

Pole 344' from DER, 571' right of centerline, 38' AGL/978' MSL.

Trees, traverse way, pole beginning 440' from DER, 451' right of centerline, up to 57' AGL/997' MSL.

Tree, buildings beginning 1028' from DER, 544' right of centerline, up to 1014' MSL.

Tree, poles beginning 1144' from DER, 460' right of centerline, up to 83' AGL/1022' MSL.

Tower, poles, trees beginning 1223' from DER, 468' right of centerline, up to 92' AGL/1031' MSL.

Tree 1342' from DER, 631' left of centerline, 973' MSL.

Trees beginning 1850' from DER, 185' left of centerline, up to 983' MSL.

Tree 2689' from DER, 1083' left of centerline, 1028' MSL.

Trees beginning 2845' from DER, 657' left of centerline, up to 1039' MSL.

Tree 4445' from DER, 1530' right of centerline, 1048' MSL.

Trees beginning 4525' from DER, 1408' right of centerline, up to 1065' MSL.

Trees, pole beginning 4654' from DER, 1434' right of centerline, up to 1067' MSL.

Tree 4918' from DER, 1765' right of centerline, 1112' MSL.

Trees beginning 5047' from DER, 1375' right of centerline, up to 1131' MSL.

Trees beginning 1 NM from DER, 1388' right of centerline, up to 1179' MSL.

Trees beginning 1.1 NM from DER, 778' right of centerline, up to 1389' MSL.

Trees beginning 1.2 NM from DER, 506' right of centerline, up to 1520' MSL.

Trees beginning 1.3 NM from DER, 260' right of centerline, up to 1604' MSL.

Trees, poles beginning 1.4 NM from DER, 90' right of centerline, up to 1637' MSL.

Trees beginning 1.4 NM from DER, 11' left of centerline, up to 1189' MSL.

Trees beginning 1.5 NM from DER, 14' left of centerline, up to 1254' MSL.

Trees beginning 1.5 NM from DER, 72' right of centerline, up to 1653' MSL.

Trees beginning 1.6 NM from DER, 18' right of centerline, up to 1756' MSL.

Trees beginning 1.6 NM from DER, 9' left of centerline, up to 1702' MSL.

Trees beginning 1.7 NM from DER, 11' left of centerline, up to 1420' MSL.

Trees beginning 1.8 NM from DER, 16' left of centerline, up to 1421' MSL.

Trees beginning 2.2 NM from DER, 21' left of centerline, up to 1480' MSL.

Trees beginning 2.3 NM from DER, 17' left of centerline, up to 1583' MSL.

Trees beginning 2.4 NM from DER, 30' left of centerline, up to 1626' MSL.

Tree 2.5 NM from DER, 1094' right of centerline, 1557' MSL.

CAUTION: Extensive glider activity in vicinity of airport.

ENDICOTT, NY

TRI-CITIES (CZG)

TAKEOFF MINIMUMS AND (OBSTACLE) DEPARTURE PROCEDURES

AMDT 4 03JUN10 (10154) (FAA)

TAKEOFF MINIMUMS:

Rwy 3, std. w/ min. climb of 515' per NM to 1700 or 700-2 with min. climb of 242 to 2000 or 1600-2 ½ for climb in visual conditions.

Rwy 21, std. w/ min. climb of 604' per NM to 2100 or 900-3 with min. climb of 470 to 2200 or 1600-2½ for climb in visual conditions.

DEPARTURE PROCEDURE:

Rwy 3, climb heading 036° to 2000 before proceeding on course or for climb in visual conditions: cross Tri-Cities airport at or above 2300 before proceeding on course.

Rwy 21, climb heading 216° to 2200 before proceeding on course or for climb in visual conditions: cross Tri-Cities airport at or above 2300 before proceeding on course.

TAKEOFF OBSTACLE NOTES:

Rwy 3, tree 1' from DER, 418' left of centerline, 78' AGL/907' MSL.

Multiple trees and train on tracks beginning 163' from DER, 56' left of centerline, up to 110' AGL/1469' MSL.

Multiple trees and tower beginning 1699' from DER, 259' right of centerline, up to 106' AGL/915' MSL.

Rwy 21, multiple trees, pole and tower beginning 51' from DER, 63' left of centerline, up to 84' AGL/1473' MSL.

Multiple trees beginning 751' from DER, 73' right of centerline, up to 86' AGL/1175' MSL.

02 DEC 2021 to 30 DEC 2021

02 DEC 2021 to 30 DEC 2021

TAKEOFF MINIMUMS, (OBSTACLE) DEPARTURE PROCEDURES, AND DIVERSE VECTOR AREA (RADAR VECTORS)

21336

NE-2

TAKEOFF MINIMUMS, (OBSTACLE) DEPARTURE PROCEDURES, AND DIVERSE VECTOR AREA (RADAR VECTORS)

21336

FARMINGDALE, NY

REPUBLIC (FRG)

TAKEOFF MINIMUMS AND (OBSTACLE) DEPARTURE PROCEDURES

AMDT 7 08JAN15 (15008) (FAA)

TAKEOFF MINIMUMS:

Rwy 1, 300-1¼ or std. w/min. climb of 220' per NM to 300, or alternatively, with standard takeoff minimums and a normal 200' per NM climb gradient, takeoff must occur no later than 1500' prior to DER.

Rwy 32, 300-1¼ or std. w/min. climb of 215' per NM to 400, or alternatively, with standard takeoff minimums and a normal 200' per NM climb gradient, takeoff must occur no later than 1500' prior to DER.

DEPARTURE PROCEDURE:

Rwy 1, climb heading 013° to 700 before turning left.

Rwy 32, climb heading 326° to 700 before turning right.

TAKEOFF OBSTACLE NOTES:

Rwy 1, fence 3' from DER, 421' left of centerline, 9' AGL/88' MSL.

Building, stack and trees beginning 264' from DER, 246' right of centerline, up to 55' AGL/134' MSL.

Trees beginning 315' from DER, 568' right of centerline, up to 76' AGL/155' MSL.

Pole and trees beginning 1266' from DER, 279' right of centerline, up to 54' AGL/137' MSL.

Tank, elevator and trees beginning 1382' from DER, 447' left of centerline, up to 69' AGL/141' MSL.

Tank 5858' from DER, 1440' left of centerline, 151' AGL/244' MSL.

Rwy 14, pole and vehicles on road beginning 181' from DER, 73' right of centerline, up to 17' AGL/74' MSL.

Trees beginning 534' from DER, 97' left of centerline, up to 33' AGL/88' MSL.

Trees beginning 915' from DER, 24' right of centerline, up to 66' AGL/119' MSL.

Pole and trees beginning 1124' from DER, 245' left of centerline, up to 50' AGL/104' MSL.

Trees 2135' from DER, 331' left of centerline, up to 77' AGL/124' MSL.

Rwy 19, sign, building, poles, and trees beginning 77' from DER, 208' right of centerline, up to 43' AGL/102' MSL.

Trees beginning 182' from DER, 498' left of centerline, up to 43' AGL/100' MSL.

Pole 861' from DER, 70' left of centerline, 41' AGL/99' MSL.

Poles and trees beginning 879' from DER, 14' right of centerline, up to 56' AGL/115' MSL.

Poles and trees beginning 1207' from DER, 308' left of centerline, up to 70' AGL/124' MSL.

Tower 2453' from DER, 318' right of centerline, 84' AGL/141' MSL.

Rwy 32, fence 146' from DER, 243' right of centerline, 12' AGL/88' MSL.

Pole 329' from DER, 451' left of centerline, 30' AGL/103' MSL.

Building and poles beginning 1489' from DER, 188' left of centerline, up to 69' AGL/142' MSL.

Trees 1690' from DER, 22' right of centerline, up to 52' AGL/124' MSL.

Tank 1.3 NM from DER, 1122' left of centerline, 107' AGL/296' MSL.

FISHERS ISLAND, NY

ELIZABETH FLD (0B8)

TAKEOFF MINIMUMS AND (OBSTACLE) DEPARTURE PROCEDURES

AMDT 2 03DEC98 (21196) (FAA)

TAKEOFF MINIMUMS:

Rwy 7, 300-1 or std. w/min. climb of 300' per NM to 300.

TAKEOFF OBSTACLE NOTES:

Rwy 7, 15' AGL bunker 25' from DER, right of centerline.

FULTON, NY

OSWEGO COUNTY (FZY)

TAKEOFF MINIMUMS AND (OBSTACLE) DEPARTURE PROCEDURES

AMDT 1 17MAY01 (01137) (FAA)

TAKEOFF MINIMUMS:

Rwy 6, 300-1 or std. with a min. climb gradient of 270' per NM to 900.

TAKEOFF OBSTACLE NOTES:

Rwy 6, hill 1400' from DER, on centerline 50' AGL/549' MSL.

Rwy 15, trees 1700' from DER, on centerline 85' AGL/560' MSL.

Rwy 24, trees 1350' from DER, on centerline 60' AGL/517' MSL.

Rwy 33, road 400' from DER, on centerline 15' AGL/462' MSL.

02 DEC 2021 to 30 DEC 2021

02 DEC 2021 to 30 DEC 2021

TAKEOFF MINIMUMS, (OBSTACLE) DEPARTURE PROCEDURES, AND DIVERSE VECTOR AREA (RADAR VECTORS)

21336

NE-2

TAKEOFF MINIMUMS, (OBSTACLE) DEPARTURE PROCEDURES, AND DIVERSE VECTOR AREA (RADAR VECTORS)

21336

GLENS FALLS, NY

FLOYD BENNETT MEML (GFL)

TAKEOFF MINIMUMS AND (OBSTACLE) DEPARTURE PROCEDURES AMDT 2 22APR21 (21112) (FAA)

TAKEOFF MINIMUMS:

- Rwy 1**, std. w/min. climb of 408' per NM to 2100 or 2000-3 for VCOA.
Rwy 30, std. w/min. climb of 350' per NM to 2200 or 2000-3 for VCOA.

DEPARTURE PROCEDURE:

- Rwy 1**, climbing right turn on heading 192° to 2100 before proceeding on course.
Rwy 12, climbing right turn on heading 206° to 1500 before proceeding on course.
Rwy 19, climb on heading 192° to 1400 before proceeding on course.
Rwy 30, climbing left turn on heading 169° to 2200 before proceeding on course.

VCOA:

- Rwys 1, 30**, obtain ATC approval for VCOA when requesting IFR clearance. Climb in visual conditions to cross Floyd Bennett Meml airport at or above 2200 MSL before proceeding on course.

TAKEOFF OBSTACLE NOTES:

- Rwy 1**, terrain 81' from DER, 464' left of centerline, 330' MSL.
Vegetation beginning 88' from DER, 429' right of centerline, up to 336' MSL.
Vegetation 135' from DER, 505' left of centerline, 332' MSL.
Poles, trees beginning 923' from DER, 544' left of centerline, up to 29' AGL/366' MSL.
Trees, terrain beginning 1422' from DER, 25' right of centerline, up to 72' AGL/413' MSL.
Poles, trees, building beginning 1520' from DER, 64' left of centerline, up to 31' AGL/374' MSL.
Building, trees beginning 2973' from DER, 239' left of centerline, up to 25' AGL/428' MSL.
Tree 3091' from DER, 1139' left of centerline, 484' MSL.
Trees, buildings, poles beginning 3155' from DER, 92' left of centerline, up to 475' MSL.
Trees, poles, buildings beginning 4112' from DER, 92' left of centerline, up to 452' MSL.
Antenna, towers, trees beginning 5139' from DER, 3' left of centerline, up to 61' AGL/477' MSL.
Rwy 12, vegetation, trees beginning 109' from DER, 297' right of centerline, up to 7' AGL/327' MSL.
Terrain beginning 183' from DER, 339' left of centerline, up to 334' MSL.
Poles, vegetation, trees, buildings beginning 758' from DER, 395' left of centerline, up to 30' AGL/374' MSL.
Buildings, trees, water tower, vehicle on road beginning 778' from DER, 3' right of centerline, up to 32' AGL/371' MSL.
Trees, poles, buildings beginning 908' from DER, 341' right of centerline, up to 87' AGL/429' MSL.
Trees beginning 1026' from DER, 72' left of centerline, up to 425' MSL.
Trees beginning 1346' from DER, 37' right of centerline, up to 403' MSL.
Rwy 19, trees beginning 2113' from DER, 580' right of centerline, up to 380' MSL.
Buildings, trees, poles beginning 2335' from DER, 839' left of centerline, up to 15' AGL/388' MSL.
Poles, trees beginning 2944' from DER, 763' left of centerline, up to 32' AGL/408' MSL.
Trees beginning 4029' from DER, 241' right of centerline, up to 424' MSL.
Rwy 30, trees, terrain, vegetation beginning 27' from DER, 255' left of centerline, up to 364' MSL.
Terrain beginning 41' from DER, 369' right of centerline, up to 343' MSL.
Vegetation, terrain, trees beginning 994' from DER, 51' right of centerline, up to 358' MSL.
Trees beginning 1020' from DER, 2' left of centerline, up to 408' MSL.
Building, trees, poles beginning 1506' from DER, 52' right of centerline, up to 27' AGL/400' MSL.
Poles, trees, buildings beginning 2425' from DER, 42' left of centerline, up to 33' AGL/402' MSL.
Buildings, poles, trees beginning 2522' from DER, 33' right of centerline, up to 34' AGL/408' MSL.
Trees beginning 2766' from DER, 20' left of centerline, up to 413' MSL.

HAMILTON, NY

HAMILTON MUNI (VGC)

TAKEOFF MINIMUMS AND (OBSTACLE) DEPARTURE PROCEDURES AMDT 3 10OCT19 (19283) (FAA)

TAKEOFF MINIMUMS:

- Rwy 17**, 500-2¼ or std. w/min. climb of 615' per NM to 1600, or 1300-3 for VCOA.
Rwy 35, std. w/min. climb of 405 to 2300, or 1300-3 for VCOA.

DEPARTURE PROCEDURE:

- Rwy 17**, climb heading 170° to 2000 before proceeding on course.
Rwy 35, climb heading 350° to 1700 before proceeding on course.

VCOA:

- Rwys 17, 35**, obtain ATC approval for VCOA when requesting IFR clearance. Climb in visual conditions to cross Hamilton Muni Airport at or above 2300 before proceeding on course.

TAKEOFF OBSTACLE NOTES:

- Rwy 17**, tree 138' from DER, 301' right of centerline, 85' AGL/1205' MSL.
Tree, pole beginning 179' from DER, 253' left of centerline, up to 49' AGL/1168' MSL.
Tree 374' from DER, 362' right of centerline, 89' AGL/1209' MSL.
Trees beginning 588' from DER, 234' right of centerline, up to 92' AGL/1212' MSL.
Tree 958' from DER, 407' left of centerline, 54' AGL/1173' MSL.
Trees, poles beginning 1007' from DER, 138' left of centerline, up to 84' AGL/1202' MSL.
Tree 3172' from DER, 932' right of centerline, 82' AGL/1255' MSL.
Tree 3174' from DER, 1342' right of centerline, 65' AGL/1332' MSL.
Tank 3846' from DER, 1435' right of centerline, 42' AGL/1358' MSL.
Trees, poles beginning 4010' from DER, 860' right of centerline, up to 106' AGL/1428' MSL.
Tree 1.5 NM from DER, 2489' left of centerline, 94' AGL/1373' MSL.
Trees beginning 1.5 NM from DER, 1870' left of centerline, up to 78' AGL/1383' MSL.
Tower 1.7 NM from DER, 2808' left of centerline, 76' AGL/1552' MSL.

CONT

TAKEOFF MINIMUMS, (OBSTACLE) DEPARTURE PROCEDURES, AND DIVERSE VECTOR AREA (RADAR VECTORS)

21336

NE-2



TAKEOFF MINIMUMS, (OBSTACLE) DEPARTURE PROCEDURES, AND DIVERSE VECTOR AREA (RADAR VECTORS)



21336

HAMILTON, NY (CON'T)

HAMILTON MUNI (VGC) (CON'T)

Rwy 17 (CON'T), tower, trees beginning 1.8 NM from DER, 2715' left of centerline, up to 98' AGL/1579' MSL.
Trees beginning 2 NM from DER, 1033' left of centerline, up to 78' AGL/1597' MSL.
Trees beginning 2.2 NM from DER, 66' right of centerline, up to 74' AGL/1517' MSL.
Tree 2.3 NM from DER, 1860' left of centerline, 78' AGL/1545' MSL.
Rwy 35, trees, poles beginning 363' from DER, 473' right of centerline, up to 68' AGL/1205' MSL.
Tree 955' from DER, 598' right of centerline, 86' AGL/1235' MSL.
Trees beginning 1193' from DER, 30' right of centerline, up to 85' AGL/1242' MSL.
Tree 2794' from DER, 128' left of centerline, 67' AGL/1203' MSL.
Trees beginning 2895' from DER, 445' right of centerline, up to 109' AGL/1269' MSL.
Trees beginning 3005' from DER, 304' left of centerline, up to 111' AGL/1247' MSL.
Tree 4172' from DER, 1430' right of centerline, 91' AGL/1281' MSL.

HAMMONTON, NJ

HAMMONTON MUNI (N81)

TAKEOFF MINIMUMS AND (OBSTACLE) DEPARTURE PROCEDURES ORIG 15JAN09 (09015) (FAA)

DEPARTURE PROCEDURE:

Rwy 3, climb heading 034° to 600 before turning left.

TAKEOFF OBSTACLE NOTES:

Rwy 21, trees 1572' from DER, 526' left of centerline, 100' AGL/163' MSL.
Trees 3201' from DER, 911' right of centerline, 100' AGL/166' MSL.

HORNELL, NY

HORNELL MUNI (HTF)

TAKEOFF MINIMUMS AND (OBSTACLE) DEPARTURE PROCEDURES AMDT 5 31MAY12 (12152) (FAA)

TAKEOFF MINIMUMS:

Rwy 18, std. w/min. climb of 420' per NM to 2200 or 1500-3 for climb in visual conditions.

Rwy 36, NA-Obstacles.

DEPARTURE PROCEDURE:

Rwy 18, climb heading 165° to 2900 before proceeding on course or for climb in visual conditions cross Hornell Muni airport at or above 2600 MSL before proceeding on course.

TAKEOFF OBSTACLE NOTES:

Rwy 18, trees 1696' from DER, 143' left of centerline, up to 92' AGL/1252' MSL.
Trees 5644' from DER, 1746' right of centerline, up to 100' AGL/1499' MSL.

HUDSON, NY

COLUMBIA COUNTY (1B1)

TAKEOFF MINIMUMS AND (OBSTACLE) DEPARTURE PROCEDURES AMDT 1A 19JUL18 (18200) (FAA)

TAKEOFF MINIMUMS:

Rwy 21, std. w/min. climb of 210' per NM to 2300 or 2300-3 for climb in visual conditions.

DEPARTURE PROCEDURE:

Rwy 3, climb heading 025° to 1500 before proceeding on course.

Rwy 21, climb heading 190° to 2300 before proceeding on course.

VCOA:

Rwy 21, obtain ATC approval for VCOA when requesting IFR clearance. Climb in visual conditions to cross Columbia County Airport at or above 2300 before proceeding on course.

TAKEOFF OBSTACLE NOTES:

Rwy 3, tree 187' from DER, 499' right of centerline, 36' AGL/239' MSL.
Trees beginning 353' from DER, 101' right of centerline, up to 44' AGL/246' MSL.
Tree 429' from DER, 134' left of centerline, 223' MSL.
Tree 430' from DER, 183' left of centerline, 225' MSL.
Trees beginning 432' from DER, 208' left of centerline, up to 230' MSL.
Pole 613' from DER, 655' left of centerline, 43' AGL/244' MSL.
Tree 839' from DER, 501' left of centerline, 65' AGL/263' MSL.
Trees beginning 1019' from DER, 555' right of centerline, up to 102' AGL/308' MSL.
Trees, poles beginning 1206' from DER, 226' left of centerline, up to 64' AGL/271' MSL.
Tree 2197' from DER, 748' left of centerline, 80' AGL/278' MSL.
Trees beginning 2264' from DER, 116' left of centerline, up to 76' AGL/281' MSL.
Trees beginning 2330' from DER, 188' left of centerline, up to 91' AGL/299' MSL.
Tree 3229' from DER, 451' left of centerline, 96' AGL/300' MSL.
Tree 3401' from DER, 582' left of centerline, 77' AGL/313' MSL.
Tree 3966' from DER, 348' left of centerline, 75' AGL/321' MSL.
Tree 4015' from DER, 443' right of centerline, 88' AGL/321' MSL.
Tree 4068' from DER, 804' left of centerline, 80' AGL/332' MSL.
Trees beginning 4189' from DER, 470' left of centerline, up to 80' AGL/338' MSL.
Rwy 21, fence 104' from DER, 373' left of centerline, 12' AGL/203' MSL.
Tree 483' from DER, 570' right of centerline, 64' AGL/250' MSL.
Trees beginning 563' from DER, 494' left of centerline, up to 76' AGL/253' MSL.
Tree 680' from DER, 532' right of centerline, 76' AGL/256' MSL.



TAKEOFF MINIMUMS, (OBSTACLE) DEPARTURE PROCEDURES, AND DIVERSE VECTOR AREA (RADAR VECTORS)



21336

NE-2

TAKEOFF MINIMUMS, (OBSTACLE) DEPARTURE PROCEDURES, AND DIVERSE VECTOR AREA (RADAR VECTORS)

21336

ITHACA, NY

ITHACA TOMPKINS INTL (ITH)

TAKEOFF MINIMUMS AND (OBSTACLE) DEPARTURE PROCEDURES

AMDT 5 08APR10 (20366) (FAA)

TAKEOFF MINIMUMS:

Rwy 14, Std. w/min. climb of 350' per NM to 2400 or 1500-3 for climb in visual conditions.

Rwys 15, 33, NA-Environmental.

DEPARTURE PROCEDURE:

Rwy 14, Climb heading 145° to 2400 before turning left or for climb in visual conditions cross Ithaca Tompkins Rgnl airport at or above 2400 before proceeding on course.

Rwy 32, Climb heading 325° to 1600 before proceeding on course.

JAMESTOWN, NY

CHAUTAUQUA COUNTY/JAMESTOWN (JHW)

TAKEOFF MINIMUMS AND (OBSTACLE) DEPARTURE PROCEDURES

AMDT 6A 20JUN19 (19171)

TAKEOFF MINIMUMS:

Rwy 31, 200-1¼ or std. w/min. climb of 220' per NM to 2000.

TAKEOFF OBSTACLE NOTES:

Rwy 7, lighting 3' from DER, 5' left of centerline, 2' AGL/1720' MSL.

Sign 20' from DER, 249' left of centerline, 7' AGL/1722' MSL.

Vehicles on roadway beginning 299' from DER, crossing extended runway centerline, up to 15' AGL/1734' MSL.

Trees beginning 495' from DER, 525' left of centerline, up to 50' AGL/1749' MSL.

Rwy 13, electrical system at DER, 265' left of centerline, 1710' MSL.

Sign 5' from DER, 155' right of centerline, 1709' MSL.

Vehicles on roadway 69' from DER, 322' right of centerline, 1710' MSL.

Trees beginning 81' from DER, 495' left of centerline, up to 55' AGL/1755' MSL.

Terrain beginning 172' from DER, 289' right of centerline, up to 1714' MSL.

Tree 232' from DER, 491' left of centerline, 50' AGL/1756' MSL.

Fence 257' from DER, 499' right of centerline, 1715' MSL.

Terrain 307' from DER, 375' right of centerline, 1717' MSL.

Fence, vehicles on roadway beginning 387' from DER, 363' right of centerline, up to 1725' MSL.

Tree, pole, building beginning 401' from DER, 378' left of centerline, up to 57' AGL/1766' MSL.

Vehicles on roadway 436' from DER, 501' right of centerline, 1733' MSL.

Pole 457' from DER, 599' right of centerline, 31' AGL/1751' MSL.

Building, fence, vehicles on roadway, tree, pole beginning 527' from DER, 188' right of centerline, up to 48' AGL/1768' MSL.

Trees beginning 850' from DER, 11' left of centerline, up to 1774' MSL.

Building, pole beginning 1065' from DER, 308' right of centerline, up to 45' AGL/1770' MSL.

Tree 1301' from DER, 724' right of centerline, 1804' MSL.

Tree, pole, building beginning 1361' from DER, 4' right of centerline, up to 88' AGL/1819' MSL.

Trees beginning 2358' from DER, 316' left of centerline, up to 1779' MSL.

Tree 2432' from DER, 924' left of centerline, 1785' MSL.

Trees beginning 2485' from DER, 449' left of centerline, up to 1788' MSL.

Trees beginning 2610' from DER, 4' left of centerline, up to 1793' MSL.

Trees beginning 2750' from DER, 103' left of centerline, up to 1797' MSL.

Trees beginning 2851' from DER, 507' left of centerline, up to 1798' MSL.

Tree 2959' from DER, 611' left of centerline, 1802' MSL.

Trees beginning 2966' from DER, 694' left of centerline, up to 1804' MSL.

Trees beginning 3004' from DER, 556' left of centerline, up to 1805' MSL.

Trees beginning 3149' from DER, 621' left of centerline, up to 1808' MSL.

Trees beginning 3806' from DER, 1' left of centerline, up to 1813' MSL.

Tree 4208' from DER, 38' left of centerline, 1816' MSL.

Trees beginning 4322' from DER, 50' right of centerline, up to 1825' MSL.

Trees beginning 4376' from DER, 159' left of centerline, up to 1825' MSL.

Rwy 25, lighting 10' from DER, 29' left of centerline, 2' AGL/1722' MSL.

Lighting 10' from DER, 30' right of centerline, 2' AGL/1722' MSL.

Building 424' from DER, 261' left of centerline, 21' AGL/1733' MSL.

Tree 733' from DER, 654' left of centerline, 84' AGL/1753' MSL.

Tree 762' from DER, 662' left of centerline, 1756' MSL.

Rwy 31, sign 23' from DER, 200' left of centerline, 1724' MSL.

Terrain beginning 29' from DER, 303' left of centerline, up to 1735' MSL.

Trees beginning 46' from DER, 464' right of centerline, up to 73' AGL/1781' MSL.

Tree, terrain beginning 83' from DER, 423' left of centerline, up to 1740' MSL.

Fence, terrain beginning 133' from DER, 316' left of centerline, up to 1747' MSL.

Trees beginning 194' from DER, 460' right of centerline, up to 72' AGL/1785' MSL.

Fence 238' from DER, 500' left of centerline, 1751' MSL.

Fence, tree, terrain beginning 354' from DER, 471' left of centerline, up to 1752' MSL.

Trees beginning 402' from DER, 470' right of centerline, up to 68' AGL/1790' MSL.

Fence beginning 457' from DER, 500' left of centerline, up to 1753' MSL.

Tree 578' from DER, 630' left of centerline, 40' AGL/1783' MSL.

Tree, terrain, fence beginning 582' from DER, 376' left of centerline, up to 1806' MSL.

Trees beginning 764' from DER, 475' right of centerline, up to 1800' MSL.

Trees beginning 775' from DER, 201' left of centerline, up to 1814' MSL.

CON'T

TAKEOFF MINIMUMS, (OBSTACLE) DEPARTURE PROCEDURES, AND DIVERSE VECTOR AREA (RADAR VECTORS)

21336

NE-2

02 DEC 2021 to 30 DEC 2021

02 DEC 2021 to 30 DEC 2021

TAKEOFF MINIMUMS, (OBSTACLE) DEPARTURE PROCEDURES, AND DIVERSE VECTOR AREA (RADAR VECTORS)

21336

JAMESTOWN, NY (CON'T)

CHAUTAUQUA COUNTY/JAMESTOWN (JHW) (CON'T)

Rwy 31 (CON'T), trees beginning 947' from DER, 536' right of centerline, up to 1805' MSL.
 Tree 1011' from DER, 737' right of centerline, 1808' MSL.
 Trees beginning 1057' from DER, 390' right of centerline, up to 1813' MSL.
 Trees beginning 1266' from DER, 68' right of centerline, up to 84' AGL/1819' MSL.
 Trees beginning 3494' from DER, 372' left of centerline, up to 1817' MSL.
 Tree 3517' from DER, 786' left of centerline, 1824' MSL.
 Trees beginning 3540' from DER, 447' left of centerline, up to 1835' MSL.
 Trees beginning 3741' from DER, 419' left of centerline, up to 1841' MSL.
 Tree 4412' from DER, 1677' left of centerline, 1843' MSL.
 Trees beginning 4490' from DER, 1435' left of centerline, up to 1844' MSL.
 Tree 4518' from DER, 1644' left of centerline, 1846' MSL.
 Trees beginning 4615' from DER, 1457' left of centerline, up to 1856' MSL.
 Trees beginning 4871' from DER, 1518' left of centerline, up to 1862' MSL.
 Trees beginning 5135' from DER, 1044' left of centerline, up to 1868' MSL.
 Trees beginning 5582' from DER, 1296' left of centerline, up to 1874' MSL.
 Trees beginning 5725' from DER, 1015' left of centerline, up to 1875' MSL.

JOHNSTOWN, NY

FULTON COUNTY (NYO)

TAKEOFF MINIMUMS AND (OBSTACLE) DEPARTURE PROCEDURES

AMDT 2 23SEP10 (10266) (FAA)

TAKEOFF OBSTACLE NOTES:

Rwy 10, trees beginning 83' from DER, 62' left of centerline, up to 57' AGL/936' MSL.
 Trees beginning 206' from DER, 176' right of centerline, up to 43' AGL/922' MSL.
Rwy 28, trees beginning 310' from DER, 48' left of centerline, up to 72' AGL/921' MSL.
 Trees beginning 23' from DER, 54' right of centerline, up to 73' AGL/892' MSL.

KINGSTON, NY

KINGSTON-ULSTER (20N)

TAKEOFF MINIMUMS AND (OBSTACLE) DEPARTURE PROCEDURES

AMDT 1 02MAY13 (13122) (FAA)

TAKEOFF MINIMUMS:

Rwy 33, 300-2 w/ min. climb of 255' per NM to 1200.

DEPARTURE PROCEDURE:

Rwy 15, climb to 3000 on heading 153° and PWL VOR/DME R-316 to TRESA INT before proceeding on course.

Rwy 33, climbing right turn to 3000 on heading 170° and PWL VOR/DME R-316 to TRESA INT before proceeding on course.

TAKEOFF OBSTACLE NOTES:

Rwy 15, trees and poles abeam DER, 806' left of centerline, up to 99' AGL/221' MSL.
 Trees and poles beginning 27' from DER, 170' right of centerline, up to 40' AGL/162' MSL.
 Vehicles on road 235' from DER, 37' right of centerline, up to 17' AGL/141' MSL.
 Trees beginning 1322' from DER, 835' right of centerline, up to 89' AGL/203' MSL.
 Trees beginning 1325' from DER, 846' left of centerline, up to 99' AGL/215' MSL.
Rwy 33, construction cone 6' from DER, 39' right of centerline, 10' AGL/149' MSL.
 Trees and poles beginning 19' from DER, 933' left of centerline, up to 99' AGL/349' MSL.
 Trees and poles beginning 60' from DER, 922' right of centerline, up to 69' AGL/215' MSL.
 Buildings beginning 60' from DER, from 577' left of centerline to 569' right of centerline, up to 29' AGL/271' MSL.
 Vehicles on road beginning 184' from DER, from 285' left of centerline to 496' right of centerline, up to 17' AGL/182' MSL.
 Trees beginning 2004' from DER, 1936' left of centerline, up to 94' AGL/362' MSL.
 Trees beginning 2004' from DER, 1908' right of centerline, up to 110' AGL/388' MSL.

LAKE PLACID, NY

LAKE PLACID (LKP)

TAKEOFF MINIMUMS AND (OBSTACLE) DEPARTURE PROCEDURES

AMDT 1 10OCT19 (19283) (FAA)

TAKEOFF MINIMUMS:

Rwy 14, NA-obstacles.

Rwy 32, std. w/min. climb of 485' per NM to 4000, or 3600-3 for VCOA.

DEPARTURE PROCEDURE:

Rwy 32, climbing left turn to heading 304° to 5000 before proceeding on course.

VCOA:

Rwy 32, obtain ATC approval for VCOA when requesting IFR clearance. Climb in visual conditions to cross Lake Placid airport at or above 5200 before proceeding on course.

TAKEOFF OBSTACLE NOTES:

Rwy 32, sign 22' from DER, 120' left of centerline, 6' AGL/1746' MSL.
 Trees beginning 24' from DER, 213' left of centerline, up to 1785' MSL.
 Tree 81' from DER, 459' right of centerline, 72' AGL/1813' MSL.
 Trees, buildings, poles beginning 84' from DER, 4' left of centerline, up to 1800' MSL.
 Trees, fence, poles beginning 105' from DER, 9' right of centerline, up to 72' AGL/1814' MSL.
 Trees, poles beginning 692' from DER, 43' left of centerline, up to 1826' MSL.

CON'T

TAKEOFF MINIMUMS, (OBSTACLE) DEPARTURE PROCEDURES, AND DIVERSE VECTOR AREA (RADAR VECTORS)

21336

NE-2

TAKEOFF MINIMUMS, (OBSTACLE) DEPARTURE PROCEDURES, AND DIVERSE VECTOR AREA (RADAR VECTORS)

21336

LAKE PLACID, NY (CON'T)

LAKE PLACID (LKP) (CON'T)

Rwy 32 (CON'T), trees, pole beginning 1001' from DER, 143' left of centerline, up to 1832' MSL.

Trees beginning 1062' from DER, 77' left of centerline, up to 1871' MSL.

Trees, buildings, poles beginning 1242' from DER, 25' left of centerline, up to 1876' MSL.

Trees beginning 1733' from DER, 23' right of centerline, up to 94' AGL/1825' MSL.

Tree 3024' from DER, 28' right of centerline, 84' AGL/1828' MSL.

Tree 3368' from DER, 1114' right of centerline, 1839' MSL.

Tree 3505' from DER, 1241' right of centerline, 1842' MSL.

Tree 3532' from DER, 1015' right of centerline, 1849' MSL.

Trees beginning 3536' from DER, 1117' right of centerline, up to 1859' MSL.

Trees beginning 4089' from DER, 1519' right of centerline, up to 1865' MSL.

Trees beginning 4364' from DER, 689' left of centerline, up to 1878' MSL.

Tree 5055' from DER, 650' left of centerline, 1883' MSL.

Tree 5085' from DER, 1807' right of centerline, 1875' MSL.

Tree 5169' from DER, 1884' right of centerline, 1883' MSL.

Buildings, trees beginning 1 NM from DER, 1686' right of centerline, up to 72' AGL/1910' MSL.

Tree 1 NM from DER, 1412' right of centerline, 1913' MSL.

Building 1 NM from DER, 1786' right of centerline, 65' AGL/1917' MSL.

Trees beginning 1 NM from DER, 1135' right of centerline, up to 1933' MSL.

Buildings, trees beginning 1.1 NM from DER, 1373' right of centerline, up to 1952' MSL.

Tree 1.1 NM from DER, 2109' right of centerline, 1964' MSL.

Trees beginning 1.1 NM from DER, 1368' right of centerline, up to 1988' MSL.

Trees, pole beginning 1.1 NM from DER, 1813' right of centerline, up to 2012' MSL.

Tree, pole beginning 1.1 NM from DER, 1649' right of centerline, up to 2015' MSL.

Trees, vehicle on road beginning 1.1 NM from DER, 1351' right of centerline, up to 2016' MSL.

Tree 1.2 NM from DER, 1778' right of centerline, 2020' MSL.

Buildings beginning 1.2 NM from DER, 1919' right of centerline, up to 63' AGL/2022' MSL.

Building, trees beginning 1.2 NM from DER, 1478' right of centerline, up to 53' AGL/2024' MSL.

Trees, poles, buildings, vehicle on road, terrain beginning 1.2 NM from DER, 1439' right of centerline, up to 2045' MSL.

Trees, poles, vehicle on road, buildings beginning 1.3 NM from DER, 65' right of centerline, up to 2057' MSL.

Trees, building beginning 2 NM from DER, 2312' left of centerline, up to 2117' MSL.

Tree 2 NM from DER, 1382' right of centerline, 2063' MSL.

LAKEHURST MAXFIELD FLD (JOINT BASE MC GUIRE DIX LAKEHURST) (KNEL)

LAKEHURST, NJ

TAKEOFF MINIMUMS AND (OBSTACLE) DEPARTURE PROCEDURES

AMD T 1 12OCT17 (17285)

TAKEOFF OBSTACLE NOTES:

Rwy 6, terrain 0' from DER, 500' right of cntrln, 105' MSL.

Terrain 150' from DER, 540' left of cntrln, 120' MSL.

Terrain 173' from DER, 546' left of cntrln, 120' MSL.

Terrain 546' from DER, 566' right of cntrln, 115' MSL.

Terrain 957' from DER, 668' left of cntrln, 128' MSL.

Terrain 1069' from DER, 540' left of cntrln, 130' MSL.

Rwy 15, terrain 0' from DER, 484' right of cntrln, 96' MSL.

Terrain 0' from DER, 500' left of cntrln, 98' MSL.

Rwy 24, terrain 0' from DER, 500' left of cntrln, 96' MSL.

Terrain 190' from DER, 551' right of cntrln, 101' MSL.

Rwy 33, terrain 0' from DER, 500' left of cntrln, 102' MSL.

Terrain 140' from DER, 522' right of cntrln, 112' MSL.

Terrain 523' from DER, 535' right of cntrln, 118' MSL.

Terrain 507' from DER, 636' right of cntrln, 119' MSL.

LAKEWOOD, NJ

LAKEWOOD (N12)

TAKEOFF MINIMUMS AND (OBSTACLE) DEPARTURE PROCEDURES

AMD T 2 29MAY14 (14149) (FAA)

TAKEOFF OBSTACLE NOTES:

Rwy 6, aircraft on taxiway abeam DER, 220' right of centerline, up to 15' AGL/49' MSL.

Vehicles on road beginning 5' from DER, crossing left to right, up to 15' AGL/49' MSL.

Trees, buildings and poles beginning 481' from DER, left and right of centerline, up to 100' AGL/139' MSL.

Transmission towers beginning 3815' from DER, right and left of centerline, up to 150' AGL/184' MSL.

Rwy 24, aircraft on taxiway abeam DER, 225' left of centerline, up to 15' AGL/59' MSL.

Trees abeam DER, 270' right and 275' left of centerline, up to 100' AGL/144' MSL.

Trees, buildings and vehicle on road beginning 371' from DER right and left of centerline up to 100' AGL/144' MSL.

Trees, buildings and storage tank beginning 881' from DER, left and right of centerline, up to 100' AGL/169' MSL.

TAKEOFF MINIMUMS, (OBSTACLE) DEPARTURE PROCEDURES, AND DIVERSE VECTOR AREA (RADAR VECTORS)

21336

NE-2

TAKEOFF MINIMUMS, (OBSTACLE) DEPARTURE PROCEDURES, AND DIVERSE VECTOR AREA (RADAR VECTORS)

21336

LE ROY, NY

LE ROY (5G0)

TAKEOFF MINIMUMS AND (OBSTACLE) DEPARTURE PROCEDURES

AMDT 1 20SEP12 (12264) (FAA)

TAKEOFF MINIMUMS:

Rwy 28, 300-1½ or std. w/min. climb of 267' per NM to 1000.

DEPARTURE PROCEDURE:

Rwy 28, climb heading 284° to 1500 before turning left.

TAKEOFF OBSTACLE NOTES:

Rwy 10, trees and poles beginning 51' from DER, 101' right of centerline, up to 73' AGL/852' MSL.

Trees and poles beginning 26' from DER, 51' left of centerline, up to 64' AGL/843' MSL.

Buildings beginning 325' from DER, 116' right of centerline, up to 53' AGL/819' MSL.

Terrain beginning 96' from DER, 233' right of centerline, up to 787' MSL.

Rwy 28, trees and poles beginning 2' from DER, 38' left of centerline, up to 112' AGL/977' MSL.

Buildings, water tower and grain bins beginning 172' from DER, 38' left of centerline, up to 106' AGL/931' MSL.

Trees beginning 49' from DER, 100' right of centerline, up to 873' MSL.

Railroad 100' from DER, 261' right of centerline, 23' AGL/825' MSL.

LINCOLN PARK, NJ

LINCOLN PARK (N07)

TAKEOFF MINIMUMS AND (OBSTACLE) DEPARTURE PROCEDURES

AMDT 2 12AUG21 (21224) (FAA)

TAKEOFF MINIMUMS:

Rwy 1, 900-2½ w/min. climb of 400' per NM to 1600 or 1600-3 for VCOA.

Rwy 19, 300-1¼ or std. w/min. climb gradient of 253' per NM to 600.

DEPARTURE PROCEDURE:

Rwy 1, climb on heading 008° to 1300 before proceeding on course.

Rwy 19, climb on heading 188° to 1000 before proceeding on course.

VCOA:

Rwy 1, obtain ATC approval for VCOA when requesting IFR clearance. Climb in visual conditions to cross Lincoln Park airport at or above 1600 before proceeding on course.

TAKEOFF OBSTACLE NOTES:

Rwy 1, tree 85' from DER, 479' right of centerline, 56' AGL/237' MSL.

Tree, pole beginning 126' from DER, 431' left of centerline, up to 46' AGL/225' MSL.

Trees beginning 292' from DER, 493' right of centerline, up to 69' AGL/249' MSL.

Tree 1.4 NM from DER, 2592' left of centerline, 71' AGL/700' MSL.

Tree 1.4 NM from DER, 2660' left of centerline, 80' AGL/737' MSL.

Trees beginning 1.4 NM from DER, 2400' left of centerline, up to 77' AGL/753' MSL.

Trees beginning 1.4 nm from DER, 2304' left of centerline, up to 67' AGL/758' MSL.

Trees beginning 1.5 NM from DER, 2121' left of centerline, up to 60' AGL/768' MSL.

Trees 1.6 NM from DER, 333' left of centerline, up to 200' AGL/919' MSL.

Tree 1.7 NM from DER, 149' right of centerline, 200' AGL/762' MSL.

Tree 1.8 NM from DER, 403' right of centerline, 200' AGL/765' MSL.

Trees beginning 1.8 NM from DER, 62' right of centerline, up to 200' AGL/860' MSL.

Trees beginning 1.8 NM from DER, 83' right of centerline, up to 200' AGL/919' MSL.

Trees beginning 1.9 NM from DER, 17' right of centerline, up to 200' AGL/935' MSL.

Rwy 19, trees beginning 279' from DER, 360' left of centerline, up to 91' AGL/269' MSL.

Tree 290' from DER, 350' right of centerline, 80' AGL/258' MSL.

Trees beginning 327' from DER, 274' right of centerline, up to 93' AGL/273' MSL.

Tower 4213' from DER, 461' right of centerline, 131' AGL/306' MSL.

Tower 4338' from DER, 134' right of centerline, 132' AGL/307' MSL.

LINDEN, NJ

LINDEN (LDJ)

TAKEOFF MINIMUMS AND (OBSTACLE) DEPARTURE PROCEDURES

AMDT 3 22APR21 (21112) (FAA)

TAKEOFF MINIMUMS:

NA - Obstacles.

LUMBERTON, NJ

FLYING W (N14)

TAKEOFF MINIMUMS AND (OBSTACLE) DEPARTURE PROCEDURES

AMDT 1 26JUL12 (12208) (FAA)

TAKEOFF OBSTACLE NOTES:

Rwy 1, transmission line towers beginning 4216' from DER, 396' left of centerline, up to 132' AGL/179' MSL.

Transmission line tower beginning 4239' from DER, 462' right of centerline, up to 147' AGL/191' MSL.

Vehicle on road 88' from DER, 300' left of centerline, 15' AGL/77' MSL.

Rwy 19, trees beginning 16' from DER, 1' left of centerline, up to 136' AGL/152' MSL.

Trees beginning 16' from DER, 11' right of centerline, up to 105' AGL/131' MSL.

TAKEOFF MINIMUMS, (OBSTACLE) DEPARTURE PROCEDURES, AND DIVERSE VECTOR AREA (RADAR VECTORS)

21336

NE-2

TAKEOFF MINIMUMS, (OBSTACLE) DEPARTURE PROCEDURES, AND DIVERSE VECTOR AREA (RADAR VECTORS)

21336

MALONE, NY

MALONE-DUFORT (MAL)

TAKEOFF MINIMUMS AND (OBSTACLE) DEPARTURE PROCEDURES

AMDT 2 15NOV12 (12320) (FAA)

TAKEOFF MINIMUMS:

Rwy 14, 300-1¾ or std. w/min. climb of 310' per NM to 1200.

Rwy 23, 500-2¼ or std. w/min. climb of 285' per NM to 1500.

DEPARTURE PROCEDURE:

Rwy 5, climb heading 052° to 1500 before proceeding on course.

Rwy 14, climbing left turn heading 050° to 2300 before proceeding on course.

Rwy 23, climb heading 232° to 1500 before proceeding on course.

TAKEOFF OBSTACLE NOTES:

Rwy 5, terrain and trees beginning 15' from DER, 316' left and right of centerline, up to 100' AGL/814' MSL.

Rwy 14, sign, building and trees 171' from DER, 113' right of centerline, up to 100' AGL/809' MSL.

Trees, 385' from DER, across centerline, up to 100' AGL/841' MSL.

Buildings, poles and trees 868' from DER, 194' right of centerline, up to 100' AGL/887' MSL.

Buildings, poles and trees 1180' from DER, 184' left of centerline, up to 100' AGL/896' MSL.

Buildings, poles and trees 2304' from DER, 223' right of centerline, up to 100' AGL/947' MSL.

Buildings, poles and trees 3797' from DER, left, right and on centerline, up to 100' AGL/1021' MSL.

Water tank and trees 5951' from DER, 1145' right of centerline, up to 120' AGL/1036' MSL.

Rwy 23, trees beginning 61' from DER, 326' right of centerline, up to 100' AGL/827' MSL.

Bushes beginning 34' from DER, 271' left of centerline, up to 20' AGL/781' MSL.

Buildings and trees beginning 719' from DER, across centerline, up to 100' AGL/901' MSL.

Rwy 32, trees beginning 64' from DER, 50' right of centerline, up to 100' AGL/828' MSL.

MANVILLE, NJ

CENTRAL JERSEY RGNL (47N)

TAKEOFF MINIMUMS AND (OBSTACLE) DEPARTURE PROCEDURES

AMDT 4 28FEB19 (19059) (FAA)

TAKEOFF MINIMUMS:

Rwy 25, 300-1 or std. w/min. climb of 280' per NM to 300.

DEPARTURE PROCEDURE:

Rwy 7, climb heading 069° to 800 before turning left.

TAKEOFF OBSTACLE NOTES:

Rwy 7, lighting 12' from DER, 9' right of centerline, 65' MSL.

Trees beginning 38' from DER, 313' left of centerline, up to 138' MSL.

Buildings, tree beginning 59' from DER, 289' left of centerline, up to 19' AGL/87' MSL.

Trees, building, poles, terrain beginning 120' from DER, 217' left of centerline, up to 110' MSL.

Trees, poles, buildings beginning 192' from DER, 181' left of centerline, up to 116' MSL.

Pole 241' from DER, 465' right of centerline, 37' AGL/74' MSL.

Trees, pole, buildings beginning 267' from DER, 124' left of centerline, up to 68' AGL/132' MSL.

Trees, poles beginning 281' from DER, 262' right of centerline, up to 116' MSL.

Trees, buildings, pole beginning 371' from DER, 104' left of centerline, up to 123' MSL.

Trees, pole beginning 428' from DER, 172' right of centerline, up to 120' MSL.

Trees, buildings, pole beginning 452' from DER, 200' left of centerline, up to 133' MSL.

Trees beginning 506' from DER, 191' right of centerline, up to 124' MSL.

Tree 550' from DER, 550' right of centerline, 131' MSL.

Trees beginning 557' from DER, 3' right of centerline, up to 104' AGL/132' MSL.

Trees, poles, building beginning 736' from DER, 41' left of centerline, up to 123' MSL.

Trees beginning 1067' from DER, 6' left of centerline, up to 81' AGL/126' MSL.

Trees beginning 2081' from DER, 71' right of centerline, up to 157' MSL.

Rwy 25, traverse way 2' from DER, 82' right of centerline, 103' MSL.

Tree 14' from DER, 166' right of centerline, 115' MSL.

Tree 17' from DER, 458' right of centerline, 123' MSL.

Tree 23' from DER, 504' right of centerline, 129' MSL.

Trees beginning 26' from DER, 257' left of centerline, up to 126' MSL.

Trees beginning 37' from DER, 259' right of centerline, up to 131' MSL.

Tree 49' from DER, 285' left of centerline, 129' MSL.

Trees beginning 83' from DER, 15' right of centerline, up to 148' MSL.

Trees beginning 105' from DER, 203' left of centerline, up to 130' MSL.

Trees beginning 120' from DER, 249' left of centerline, up to 140' MSL.

Trees traverse way beginning 142' from DER, 49' right of centerline, up to 151' MSL.

Trees, traverse ways beginning 199' from DER, 14' left of centerline, up to 144' MSL.

Trees traverse way beginning 202' from DER, 1' right of centerline, up to 155' MSL.

Trees beginning 812' from DER, 7' right of centerline, up to 80' AGL/156' MSL.

Trees beginning 835' from DER, 26' left of centerline, up to 150' MSL.

Trees beginning 968' from DER, 4' right of centerline, up to 159' MSL.

Trees beginning 978' from DER, 59' left of centerline, up to 159' MSL.

Trees beginning 1040' from DER, 167' left of centerline, up to 161' MSL.

Trees beginning 1087' from DER, 6' left of centerline, up to 162' MSL.

Trees beginning 1204' from DER, 11' right of centerline, up to 162' MSL.

Trees beginning 1381' from DER, 62' right of centerline, up to 175' MSL.

Trees beginning 1538' from DER, 18' right of centerline, up to 176' MSL.

Transmission line 4389' from DER, 1465' left of centerline, 116' AGL/197' MSL.

Transmission line beginning 4547' from DER, 676' left of centerline, up to 170' AGL/244' MSL.

TAKEOFF MINIMUMS, (OBSTACLE) DEPARTURE PROCEDURES, AND DIVERSE VECTOR AREA (RADAR VECTORS)

21336

NE-2

TAKEOFF MINIMUMS, (OBSTACLE) DEPARTURE PROCEDURES, AND DIVERSE VECTOR AREA (RADAR VECTORS)

21336

MASSENA, NY

MASSENA INTL-RICHARDS FLD (MSS)

TAKEOFF MINIMUMS AND (OBSTACLE) DEPARTURE PROCEDURES

AMDT 8A 03APR14 (21112) (FAA)

TAKEOFF MINIMUMS:

Rwy 23, 400-2½ or std. w/min. climb of 240' per NM to 800.

TAKEOFF OBSTACLE NOTES:

Rwy 5, antenna on building 291' from DER, 267' right of centerline, 9' AGL/238' MSL.

Obstruction light on localizer 347' from DER, on centerline, 7' AGL/241' MSL.

Trees beginning 551' from DER, 514' left of centerline, up to 75' AGL/324' MSL.

Trees beginning 825' from DER, 516' right of centerline, up to 56' AGL/292' MSL.

Rwy 9, bushes and trees beginning 371' from DER, 142' left of centerline, up to 64' AGL/303' MSL.

Trees beginning 784' from DER, 51' right of centerline, up to 73' AGL/312' MSL.

Rwy 23, trees, buildings, and poles beginning 1002' from DER, 249' left of centerline, up to 76' AGL/257' MSL.

Trees beginning 2233' from DER, 878' right of centerline, up to 60' AGL/277' MSL.

Light on tower 2.1 NM from DER, 2453' right of centerline, 388' AGL/596' MSL.

Rwy 27, trees beginning 341' from DER, 341' left of centerline, up to 81' AGL/292' MSL.

Trees beginning 499' from DER, 289' right of centerline, up to 100' AGL/329' MSL.

MC GUIRE FLD, (JOINT BASE MC GUIRE DIX LAKEHURST) (KWRI)

WRIGHTSTOWN, NJ

TAKEOFF MINIMUMS AND (OBSTACLE) DEPARTURE PROCEDURES

AMDT 1 03DEC20 (20338) (USAF)

TAKEOFF OBSTACLE NOTES:

Rwy 6, trees 1389' from DER, 854' right of cntrln, 83' AGL/184' MSL.

Trees 1929' from DER, 887' right of cntrln, 94' AGL/192' MSL.

Trees 2658' from DER, 1184' left of cntrln, 79' AGL/177' MSL.

Trees 3647' from DER, 946' right of cntrln, 103' AGL/194' MSL.

Rwy 18, potential aircraft 920' from DER, 182' left of cntrln, 66' AGL/206' MSL.

Potential aircraft 934' from DER, 199' left of cntrln, 66' AGL/199' MSL.

Rwy 24, potential vehicle 125' from DER, 479' right of cntrln, 17' AGL/154' MSL.

Trees 1954' from DER, 1051' right of cntrln, 54' AGL/191' MSL.

Rwy 36, potential aircraft 1976' from DER, 1234' right of cntrln, 66' AGL/185' MSL.

MIDDLETOWN, NY

RANDALL (06N)

TAKEOFF MINIMUMS AND (OBSTACLE) DEPARTURE PROCEDURES

AMDT 3 20SEP12 (12264) (FAA)

TAKEOFF MINIMUMS:

Rwy 26, 300-2 or std. with a min. climb of 205' per NM to 900, or alternatively, with std. takeoff minimums and a normal 200' per NM climb gradient, takeoff must occur no later than 1300' prior to DER.

DEPARTURE PROCEDURE:

Rwy 26, climb heading 246° to 1400 before proceeding on course.

TAKEOFF OBSTACLE NOTES:

Rwy 8, rising terrain beginning abeam DER, 143' left of centerline, up to 536' MSL.

Trees beginning 46' from DER, 237' right of centerline, up to 98' AGL/578' MSL.

Trees beginning 59' from DER, 412' left of centerline, up to 100' AGL/639' MSL.

Rwy 26, trees abeam DER, 155' left of centerline, up to 87' AGL/576' MSL.

Vehicles on roadway, 186' from DER, left and right of centerline, up to 15' AGL/522' MSL.

Trees beginning 343' from DER, 569' right of centerline, 95' AGL/596' MSL.

Pole, 506' from DER, 141' right of centerline, 41' AGL/543' MSL.

MILLBROOK, NY

SKY ACRES (44N)

TAKEOFF MINIMUMS AND (OBSTACLE) DEPARTURE PROCEDURES

AMDT 2 29MAY14 (14149) (FAA)

TAKEOFF MINIMUMS:

Rwy 17, 600-3 w/min. climb of 240' per NM to 1400 or std. w/min. climb of 390' per NM to 1500.

Rwy 35, 300-1¼ or std. w/min. climb of 261' per NM to 1100.

DEPARTURE PROCEDURE:

Rwy 17, climb heading 167° to 2200 then climbing right turn direct IGN VOR/DME before proceeding on course.

Rwy 35, climb heading 347° to 2100 then climbing left turn direct IGN VOR/DME before proceeding on course.

TAKEOFF OBSTACLE NOTES:

Rwy 17, trees beginning 156' from DER, 302' left of centerline, up to 96' AGL/779' MSL.

Trees beginning 3213' from DER, 1350' left of centerline, up to 100' AGL/1259' MSL.

Rwy 35, trees beginning 46' from DER, 341' right of centerline, up to 94' AGL/742' MSL.

Building 251' from DER, 399' right of centerline, 36' AGL/695' MSL.

Tower 1254' from DER, 725' right of centerline, 88' AGL/733' MSL.

Trees beginning 1.4 NM from DER, 2762' right of centerline, up to 100' AGL/919' MSL.

Trees beginning 407' from DER 284' left of centerline, up to 78' AGL/665' MSL.

Trees beginning 1.3 NM from DER, 1353' left of centerline, up to 100' AGL/919' MSL.

TAKEOFF MINIMUMS, (OBSTACLE) DEPARTURE PROCEDURES, AND DIVERSE VECTOR AREA (RADAR VECTORS)

21336

NE-2



TAKEOFF MINIMUMS, (OBSTACLE) DEPARTURE PROCEDURES, AND DIVERSE VECTOR AREA (RADAR VECTORS)



21336

MILLVILLE, NJ

MILLVILLE MUNI (MIV)

TAKEOFF MINIMUMS AND (OBSTACLE) DEPARTURE PROCEDURES

AMD T 2 08JUN06 (06159) (FAA)

TAKEOFF OBSTACLE NOTES:

Rwy 10, multiple trees beginning 14' from DER, 498' right of centerline, up to 49' AGL/134' MSL.

Rwy 14, multiple trees beginning 20' from DER, 167' left and 139' right of centerline, up to 72' AGL/154' MSL.

Rwy 28, multiple trees beginning 28' from DER, 144' left and 167' right of centerline, up to 80' AGL/154' MSL.

Rwy 32, multiple trees beginning 34' from DER, 341' left and 273' right of centerline, up to 71' AGL/152' MSL.

MONTAUK, NY

MONTAUK (MTP)

TAKEOFF MINIMUMS AND (OBSTACLE) DEPARTURE PROCEDURES

AMD T 3 18OCT12 (12292) (FAA)

TAKEOFF MINIMUMS:

Rwy 6, 300-1 or std. w/min. climb of 491' per NM to 300.

Rwy 24, 300-1

DEPARTURE PROCEDURE:

Rwy 24, climbing right turn to 3000 direct GON VOR/DME before proceeding on course.

TAKEOFF OBSTACLE NOTES:

Rwy 6, ship 3600' from DER, on centerline, up to 225' AGL/225' MSL.

Building 9' from DER, 188' left of centerline, 14' AGL/34' MSL.

Trees beginning 10' from DER, 29' right of centerline, up to 40' AGL/47' MSL.

Bushes beginning 514' from DER, 50' right of centerline, up to 21' AGL/41' MSL.

Bushes beginning 33' from DER, 9' left of centerline, up to 5' AGL/19' MSL.

Rwy 24, ship 990' from DER, on centerline, up to 225' AGL/225' MSL.

Trees beginning 5' from DER, 152' left of centerline, up to 36' AGL/41' MSL.

Poles beginning 155' from DER, 28' left of centerline, up to 34' AGL/41' MSL.

Trees beginning 49' from DER, 25' right of centerline, up to 61' AGL/81' MSL.

Poles beginning 49' from DER, 75' right of centerline, up to 22' AGL/42' MSL.

Building 245' from DER, 316' left of centerline, 29' AGL/36' MSL.

Buildings beginning 641' from DER, 189' right of centerline, up to 29' AGL/38' MSL.

MONTGOMERY, NY

ORANGE COUNTY(MGJ)

TAKEOFF MINIMUMS AND (OBSTACLE) DEPARTURE PROCEDURES

AMD T 3 03JAN19 (19003) (FAA)

TAKEOFF MINIMUMS:

Rwy 8, 300-1 or std. w/min. climb of 335' per NM to 700.

Rwy 22, 300-1½ or std. w/min. climb of 290' per NM to 600.

Rwy 26, 500-3 w/min. climb of 220' per NM to 1300 or std. w/min. climb of 380' per NM to 900 or 1500-3 for VCOA.

DEPARTURE PROCEDURE:

Rwy 4, climb on heading 036° to 2100 before proceeding on course.

Rwy 8, climb on heading 080° to 1100 before turning left.

Rwy 22, climb on heading 216° to 1000 before proceeding on course.

Rwy 26, climb on heading 260° to 1000 before turning right.

VCOA:

Rwy 26, obtain ATC approval for VCOA when requesting IFR clearance. Climb in visual conditions to cross Orange County Airport at or above 1700 before proceeding on course.

TAKEOFF OBSTACLE NOTES:

Rwy 4, terrain 23' from DER, 304' left of centerline, 371' MSL.

Terrain 24' from DER, 184' left of centerline, 373' MSL.

Trees, terrain, vehicles on road, vegetation beginning 32' from DER, 21' right of centerline, up to 410' MSL.

Trees, vehicles on road beginning 88' from DER, 39' left of centerline, up to 404' MSL.

Tree 699' from DER, 575' left of centerline, 405' MSL.

Trees beginning 782' from DER, 490' left of centerline, up to 417' MSL.

Tree 1004' from DER, 689' right of centerline, 430' MSL.

Tree 1046' from DER, 728' left of centerline, 439' MSL.

Trees beginning 1113' from DER, 545' right of centerline, up to 436' MSL.

Trees beginning 1171' from DER, 19' left of centerline, up to 101' AGL/442' MSL.

Tree 1394' from DER, 454' right of centerline, 438' MSL.

Trees beginning 1471' from DER, 104' right of centerline, up to 440' MSL.

Trees beginning 1519' from DER, 71' right of centerline, up to 445' MSL.

Trees beginning 1720' from DER, 28' right of centerline, up to 446' MSL.

Tree 2528' from DER, 101' left of centerline, 446' MSL.

Tree 4340' from DER, 904' right of centerline, 482' MSL.

Rwy 8, tree 258' from DER, 316' right of centerline, 71' AGL/451' MSL.

Trees 345' from DER, 373' right of centerline, 76' AGL/455' MSL.

Trees beginning 389' from DER, 500' right of centerline, up to 95' AGL/475' MSL.

Building 828' from DER, 411' left of centerline, 32' AGL/411' MSL.

Tree 967' from DER, 724' left of centerline, 95' AGL/479' MSL.

Trees, building, pole beginning 1002' from DER, 331' left of centerline, up to 480' MSL.

Trees beginning 4721' from DER, 298' left of centerline, up to 525' MSL.

CON'T



TAKEOFF MINIMUMS, (OBSTACLE) DEPARTURE PROCEDURES, AND DIVERSE VECTOR AREA (RADAR VECTORS)



21336

NE-2


**TAKEOFF MINIMUMS, (OBSTACLE) DEPARTURE PROCEDURES, AND
DIVERSE VECTOR AREA (RADAR VECTORS)**


21336

MONTGOMERY, NY (CON'T)**ORANGE COUNTY (MGJ) (CON'T)**

Rwy 8 (CON'T), tree 4727' from DER, 1437' right of centerline, 560' MSL.
Rwy 22, trees, tower, NAVAID, wind indicator beginning 65' from DER, 35' right of centerline, up to 408' MSL.
 Trees beginning 356' from DER, 299' right of centerline, up to 422' MSL.
 Trees beginning 898' from DER, 434' right of centerline, up to 433' MSL.
 Tree 1542' from DER, 876' left of centerline, 401' MSL.
 Tree 1745' from DER, 852' left of centerline, 404' MSL.
 Tree 1866' from DER, 968' left of centerline, 419' MSL.
 Tree 2302' from DER, 932' left of centerline, 421' MSL.
 Trees beginning 2393' from DER, 915' left of centerline, up to 438' MSL.
 Trees beginning 2517' from DER, 684' right of centerline, up to 436' MSL.
 Trees beginning 3121' from DER, 1096' right of centerline, up to 438' MSL.
 Tree 3335' from DER, 722' right of centerline, 77' AGL/448' MSL.
 Tree 3349' from DER, 747' right of centerline, 453' MSL.
 Trees beginning 3410' from DER, 567' right of centerline, up to 76' AGL/454' MSL.
 Trees beginning 3452' from DER, 295' right of centerline, up to 81' AGL/460' MSL.
 Tree 3509' from DER, 712' right of centerline, 461' MSL.
 Trees beginning 3514' from DER, 94' right of centerline, up to 469' MSL.
 Trees beginning 4175' from DER, 417' right of centerline, up to 476' MSL.
 Trees beginning 4334' from DER, 990' right of centerline, up to 491' MSL.
 Trees beginning 4461' from DER, 1063' right of centerline, up to 503' MSL.
 Trees beginning 4832' from DER, 1069' right of centerline, up to 528' MSL.
Rwy 26, terrain 20' from DER, 485' right of centerline, 354' MSL.
 Wind indicator 26' from DER, 405' right of centerline, 370' MSL.
 Trees beginning 322' from DER, 274' right of centerline, up to 403' MSL.
 Trees beginning 642' from DER, 399' right of centerline, up to 418' MSL.
 Trees beginning 734' from DER, 244' right of centerline, up to 420' MSL.
 Trees beginning 912' from DER, 439' right of centerline, up to 433' MSL.
 Trees beginning 1100' from DER, 399' right of centerline, up to 443' MSL.
 Trees beginning 1224' from DER, 641' right of centerline, up to 88' AGL/446' MSL.
 Tree 1377' from DER, 659' right of centerline, 447' MSL.
 Tree 1378' from DER, 100' left of centerline, 403' MSL.
 Trees beginning 1389' from DER, 1' right of centerline, up to 449' MSL.
 Trees, terrain beginning 1521' from DER, 206' left of centerline, up to 418' MSL.
 Tree 1684' from DER, 392' left of centerline, 428' MSL.
 Trees, terrain beginning 1724' from DER, 125' left of centerline, up to 429' MSL.
 Trees beginning 1997' from DER, 142' left of centerline, up to 433' MSL.
 Trees beginning 2103' from DER, 101' left of centerline, up to 436' MSL.
 Tree 2666' from DER, 1188' left of centerline, 77' AGL/448' MSL.
 Trees beginning 2694' from DER, 39' left of centerline, up to 453' MSL.
 Tree 2955' from DER, 312' right of centerline, 472' MSL.
 Trees beginning 2999' from DER, 608' right of centerline, up to 478' MSL.
 Trees beginning 3367' from DER, 748' left of centerline, up to 456' MSL.
 Tree 3464' from DER, 1164' left of centerline, 461' MSL.
 Trees beginning 3537' from DER, 1038' left of centerline, up to 469' MSL.
 Trees beginning 3671' from DER, 15' left of centerline, up to 476' MSL.
 Tree 3946' from DER, 1155' left of centerline, 478' MSL.
 Tree 4016' from DER, 1229' left of centerline, 491' MSL.
 Trees beginning 4028' from DER, 623' left of centerline, up to 497' MSL.
 Trees beginning 4123' from DER, 703' left of centerline, up to 525' MSL.
 Tree 4188' from DER, 1072' right of centerline, 514' MSL.
 Trees beginning 4247' from DER, 824' left of centerline, up to 541' MSL.
 Tree 4248' from DER, 532' right of centerline, 516' MSL.
 Trees beginning 4258' from DER, 588' left of centerline, up to 548' MSL.
 Tree 4425' from DER, 930' left of centerline, 559' MSL.
 Trees beginning 4452' from DER, 1090' left of centerline, up to 561' MSL.
 Trees, terrain beginning 4540' from DER, 368' left of centerline, up to 563' MSL.
 Tree 4591' from DER, 899' right of centerline, 533' MSL.
 Tree 4681' from DER, 1324' right of centerline, 553' MSL.
 Trees beginning 4754' from DER, 120' right of centerline, up to 556' MSL.
 Tree 1.7 NM from DER, 3090' right of centerline, 651' MSL.
 Trees beginning 1.7 NM from DER, 765' left of centerline, up to 701' MSL.
 Tree 1.8 NM from DER, 3467' right of centerline, 708' MSL.
 Trees beginning 1.8 NM from DER, 1007' left of centerline, up to 731' MSL.
 Tree 1.8 NM from DER, 2966' right of centerline, 722' MSL.
 Trees beginning 1.9 NM from DER, 2473' right of centerline, up to 725' MSL.
 Trees beginning 2.1 NM from DER, 2332' right of centerline, up to 812' MSL.

02 DEC 2021 to 30 DEC 2021

02 DEC 2021 to 30 DEC 2021


**TAKEOFF MINIMUMS, (OBSTACLE) DEPARTURE PROCEDURES, AND
DIVERSE VECTOR AREA (RADAR VECTORS)**


21336

NE-2

TAKEOFF MINIMUMS, (OBSTACLE) DEPARTURE PROCEDURES, AND DIVERSE VECTOR AREA (RADAR VECTORS)

21336

MONTICELLO, NY

SULLIVAN COUNTY INTL (MSV)

TAKEOFF MINIMUMS AND (OBSTACLE)

DEPARTURE PROCEDURES

DEPARTURE PROCEDURE:

Rwy 33, climb straight ahead to 2500 before departing on course.

MORRISTOWN, NJ

MORRISTOWN MUNI (MMU)

TAKEOFF MINIMUMS AND (OBSTACLE) DEPARTURE PROCEDURES

AMDT 8 20002 (FAA)

TAKEOFF MINIMUMS:

Rwy 13, 300-1½ or std. w/min. climb of 230' per NM to 500.

Rwy 23, 400-2¼ w/min. climb of 205' per NM to 700 or std. w/min. climb of 460' per NM to 700.

Rwy 31, 400-1¾ w/min. climb of 320' per NM to 1500.

DEPARTURE PROCEDURE:

Rwy 5, climb on heading 49° to 600 before turning left.

Rwy 13, climb on heading 127° to 800 before turning left.

Rwy 23, climb on heading 229° to 900 before turning right.

TAKEOFF OBSTACLE NOTES:

Rwy 5, lighting 5' from DER, 6' right of centerline, 1' AGL/184' MSL.

Trees beginning 6' from DER, 285' right of centerline, up to 187' MSL.

Tree 16' from DER, 300' right of centerline, 36' AGL/209' MSL.

Trees beginning 20' from DER, 424' right of centerline, up to 39' AGL/212' MSL.

Trees beginning 131' from DER, 476' left of centerline, up to 27' AGL/201' MSL.

Tree 526' from DER, 518' left of centerline, 216' MSL.

Trees beginning 626' from DER, 546' left of centerline, up to 236' MSL.

Trees beginning 973' from DER, 436' left of centerline, up to 244' MSL.

Trees beginning 1116' from DER, 506' left of centerline, up to 248' MSL.

Tree 1218' from DER, 740' left of centerline, 252' MSL.

Trees beginning 1343' from DER, 455' left of centerline, up to 260' MSL.

Trees beginning 1690' from DER, 662' right of centerline, up to 229' MSL.

Trees beginning 1698' from DER, 388' left of centerline, up to 273' MSL.

Tree 1790' from DER, 610' right of centerline, 239' MSL.

Trees beginning 1796' from DER, 723' right of centerline, up to 249' MSL.

Trees beginning 1843' from DER, 518' right of centerline, up to 256' MSL.

Trees beginning 1911' from DER, 310' right of centerline, up to 266' MSL.

Trees beginning 2077' from DER, 536' left of centerline, up to 280' MSL.

Trees beginning 2177' from DER, 364' left of centerline, up to 107' AGL/284' MSL.

Trees beginning 2302' from DER, 533' right of centerline, up to 278' MSL.

Trees beginning 2340' from DER, 649' right of centerline, up to 288' MSL.

Tree 2405' from DER, 950' left of centerline, 109' AGL/286' MSL.

Trees beginning 2408' from DER, 48' left of centerline, up to 287' MSL.

Trees beginning 2423' from DER, 44' right of centerline, up to 290' MSL.

Rwy 13, tree, lighting beginning 38' from DER, 150' left of centerline, up to 187' MSL.

Lighting 39' from DER, 150' right of centerline, 4' AGL/184' MSL.

Tree 46' from DER, 478' left of centerline, 209' MSL.

Trees beginning 50' from DER, 153' left of centerline, up to 53' AGL/228' MSL.

Tree 69' from DER, 297' right of centerline, 188' MSL.

Trees, vegetation beginning 208' from DER, 79' right of centerline, up to 28' AGL/203' MSL.

Trees, tank beginning 468' from DER, 500' right of centerline, up to 227' MSL.

Trees beginning 663' from DER, 49' right of centerline, up to 85' AGL/261' MSL.

Tree 1460' from DER, 734' left of centerline, 240' MSL.

Tree 1522' from DER, 566' right of centerline, 263' MSL.

Trees beginning 1526' from DER, 10' right of centerline, up to 276' MSL.

Trees beginning 1545' from DER, 127' left of centerline, up to 265' MSL.

Trees beginning 1666' from DER, 27' left of centerline, up to 266' MSL.

Trees beginning 1713' from DER, 1' left of centerline, up to 271' MSL.

Trees beginning 2152' from DER, 124' left of centerline, up to 94' AGL/272' MSL.

Trees beginning 2252' from DER, 19' left of centerline, up to 275' MSL.

Trees beginning 3269' from DER, 426' left of centerline, up to 284' MSL.

Trees beginning 3484' from DER, 398' left of centerline, up to 291' MSL.

Trees beginning 3744' from DER, 33' right of centerline, up to 91' AGL/277' MSL.

Tree 4002' from DER, 328' right of centerline, 91' AGL/285' MSL.

Tree 4142' from DER, 824' left of centerline, 292' MSL.

Trees beginning 4152' from DER, 1082' left of centerline, up to 294' MSL.

Trees beginning 4228' from DER, 370' left of centerline, up to 296' MSL.

Tree 4279' from DER, 289' right of centerline, 87' AGL/290' MSL.

Trees beginning 4297' from DER, 950' left of centerline, up to 297' MSL.

Tree 4412' from DER, 520' right of centerline, 292' MSL.

Tree 4414' from DER, 632' right of centerline, 300' MSL.

Tanks beginning 1.2 NM from DER, 1783' right of centerline, up to 135' AGL/394' MSL.

Rwy 23, lighting 21' from DER, 114' left of centerline, 4' AGL/184' MSL.

Lighting 21' from DER, 114' right of centerline, 4' AGL/184' MSL.

CON'T

02 DEC 2021 to 30 DEC 2021

02 DEC 2021 to 30 DEC 2021

TAKEOFF MINIMUMS, (OBSTACLE) DEPARTURE PROCEDURES, AND DIVERSE VECTOR AREA (RADAR VECTORS)

21336

NE-2

TAKEOFF MINIMUMS, (OBSTACLE) DEPARTURE PROCEDURES, AND DIVERSE VECTOR AREA (RADAR VECTORS)

21336

MORRISTOWN, NJ (CON'T)

MORRISTOWN MUNI (MMU) (CON'T)

Rwy 23 (CON'T), trees beginning 58' from DER, 368' right of centerline, up to 192' MSL.

Tree 125' from DER, 287' left of centerline, 189' MSL.

Trees beginning 140' from DER, 256' right of centerline, up to 45' AGL/221' MSL.

Tree 233' from DER, 279' left of centerline, 190' MSL.

Trees beginning 370' from DER, 499' left of centerline, up to 47' AGL/222' MSL.

Trees beginning 438' from DER, 375' left of centerline, up to 243' MSL.

Trees beginning 635' from DER, 542' right of centerline, up to 64' AGL/241' MSL.

Trees beginning 859' from DER, 205' right of centerline, up to 247' MSL.

Trees beginning 957' from DER, 19' right of centerline, up to 249' MSL.

Trees beginning 1177' from DER, 667' left of centerline, up to 248' MSL.

Tree 1381' from DER, 831' left of centerline, 252' MSL.

Trees beginning 1406' from DER, 454' left of centerline, up to 80' AGL/257' MSL.

Trees beginning 1467' from DER, 48' left of centerline, up to 97' AGL/275' MSL.

Trees beginning 1517' from DER, 57' right of centerline, up to 254' MSL.

Tree 2077' from DER, 780' right of centerline, 257' MSL.

Tree 2088' from DER, 972' right of centerline, 265' MSL.

Trees beginning 2092' from DER, 140' right of centerline, up to 267' MSL.

Trees beginning 2118' from DER, 16' right of centerline, up to 96' AGL/280' MSL.

Trees beginning 2322' from DER, 29' right of centerline, up to 286' MSL.

Trees beginning 2330' from DER, 63' left of centerline, up to 96' AGL/279' MSL.

Trees beginning 2369' from DER, 748' left of centerline, up to 282' MSL.

Trees, building beginning 2508' from DER, 153' right of centerline, up to 292' MSL.

Trees, buildings beginning 2648' from DER, 570' left of centerline, up to 293' MSL.

Trees, buildings beginning 2721' from DER, 202' right of centerline, up to 294' MSL.

Trees, building beginning 3045' from DER, 36' right of centerline, up to 319' MSL.

Trees beginning 3186' from DER, 350' right of centerline, up to 350' MSL.

Trees, building beginning 3280' from DER, 180' right of centerline, up to 370' MSL.

Trees, terrain beginning 3593' from DER, 552' right of centerline, up to 378' MSL.

Trees beginning 3645' from DER, 709' left of centerline, up to 295' MSL.

Trees, terrain, buildings beginning 3746' from DER, 540' right of centerline, up to 381' MSL.

Trees beginning 4140' from DER, 1159' right of centerline, up to 389' MSL.

Trees, pole beginning 4243' from DER, 933' right of centerline, up to 397' MSL.

Trees, terrain beginning 4352' from DER, 616' right of centerline, up to 412' MSL.

Trees, terrain, building beginning 4515' from DER, 145' right of centerline, up to 427' MSL.

Tree 4610' from DER, 27' left of centerline, 57' AGL/301' MSL.

Trees, terrain, buildings, fence, pole, vehicle on road beginning 4710' from DER, 226' right of centerline, up to 428' MSL.

Tree 4713' from DER, 23' left of centerline, 63' AGL/311' MSL.

Trees, poles, terrain, buildings, vehicles on road beginning 5287' from DER, 55' right of centerline, up to 460' MSL.

Tree 5420' from DER, 116' left of centerline, 72' AGL/339' MSL.

Tree 5473' from DER, 210' left of centerline, 80' AGL/343' MSL.

Trees beginning 5742' from DER, 5' left of centerline, up to 81' AGL/367' MSL.

Trees, vehicle on road, pole, buildings beginning 6037' from DER, 26' right of centerline, up to 462' MSL.

Trees beginning 1 NM from DER, 246' right of centerline, up to 469' MSL.

Trees beginning 1 NM from DER, 71' left of centerline, up to 415' MSL.

Trees beginning 1 NM from DER, 44' right of centerline, up to 470' MSL.

Trees, building beginning 1 NM from DER, 150' right of centerline, up to 88' AGL/482' MSL.

Tree, building beginning 1 NM from DER, 1420' right of centerline, up to 485' MSL.

Trees, pole, buildings beginning 1 NM from DER, 63' right of centerline, up to 488' MSL.

Trees, vehicle on road, building, fence beginning 1 NM from DER, 37' left of centerline, up to 418' MSL.

Tanks, trees, buildings, terrain, vehicles on road, fence, electrical system, pole beginning 1 NM from DER, 17' right of centerline, up to 512' MSL.

Trees beginning 1.1 NM from DER, 46' left of centerline, up to 419' MSL.

Trees, buildings, vehicle on road, terrain, pole beginning 1.1 NM from DER, 20' left of centerline, up to 446' MSL.

Stack, trees, vehicles on road, terrain, buildings, poles, electrical system beginning 1.1 NM from DER, 9' right of centerline, up to 154' AGL/529' MSL.

Buildings, trees, poles, vehicles on road, terrain, electrical systems, antennas, tower beginning 1.2 NM from DER, 3' right of centerline, up to 168' AGL/546' MSL.

Trees beginning 1.3 NM from DER, 21' left of centerline, up to 448' MSL.

Tree 1.3 NM from DER, 438' left of centerline, 452' MSL.

Trees, poles beginning 1.3 NM from DER, 61' left of centerline, up to 462' MSL.

Trees, building beginning 1.3 NM from DER, 35' left of centerline, up to 468' MSL.

Trees beginning 1.4 NM from DER, 121' left of centerline, up to 472' MSL.

Trees, buildings beginning 1.4 NM from DER, 25' left of centerline, up to 476' MSL.

Trees, buildings beginning 1.4 NM from DER, 16' left of centerline, up to 106' AGL/488' MSL.

Tank, trees, buildings beginning 1.5 NM from DER, 122' left of centerline, up to 114' AGL/491' MSL.

Tree 1.7 NM from DER, 3156' left of centerline, 454' MSL.

Rwy 31, tree 2' from DER, 285' right of centerline, 33' AGL/213' MSL.

Tree 24' from DER, 409' right of centerline, 245' MSL.

Tree 68' from DER, 506' right of centerline, 88' AGL/275' MSL.

Trees, fence beginning 115' from DER, 232' right of centerline, up to 90' AGL/278' MSL.

Tree 205' from DER, 175' left of centerline, 16' AGL/202' MSL.

Tree 274' from DER, 292' left of centerline, 40' AGL/224' MSL.

Tree 292' from DER, 402' left of centerline, 52' AGL/236' MSL.

CON'T

TAKEOFF MINIMUMS, (OBSTACLE) DEPARTURE PROCEDURES, AND DIVERSE VECTOR AREA (RADAR VECTORS)

21336

NE-2

TAKEOFF MINIMUMS, (OBSTACLE) DEPARTURE PROCEDURES, AND DIVERSE VECTOR AREA (RADAR VECTORS)

21336

MORRISTOWN, NJ (CON'T)

MORRISTOWN MUNI (MMU) (CON'T)

Rwy 31 (CON'T), trees beginning 298' from DER, 206' left of centerline, up to 245' MSL.

Trees beginning 475' from DER, 20' left of centerline, up to 256' MSL.

Trees beginning 607' from DER, 218' right of centerline, up to 289' MSL.

Trees, building beginning 622' from DER, on and left of centerline, up to 274' MSL.

Trees beginning 708' from DER, 327' right of centerline, up to 290' MSL.

Trees beginning 851' from DER, 303' right of centerline, up to 309' MSL.

Trees beginning 918' from DER, 129' left of centerline, up to 286' MSL.

Trees beginning 978' from DER, 94' right of centerline, up to 325' MSL.

Trees beginning 1082' from DER, 285' right of centerline, up to 339' MSL.

Trees, fence beginning 1119' from DER, 24' left of centerline, up to 322' MSL.

Trees beginning 1193' from DER, 72' right of centerline, up to 364' MSL.

Trees, terrain, fence beginning 1399' from DER, 374' left of centerline, up to 326' MSL.

Trees, buildings, electrical system, poles, vehicle on road, fence, terrain beginning 1476' from DER, 7' right of centerline, up to 384' MSL.

Trees beginning 1538' from DER, 1' left of centerline, up to 329' MSL.

Trees, terrain beginning 1641' from DER, 132' left of centerline, up to 334' MSL.

Trees, fence, poles beginning 1963' from DER, 4' left of centerline, up to 344' MSL.

Trees, electrical systems, buildings beginning 2624' from DER, 2' left of centerline, up to 347' MSL.

Trees beginning 3426' from DER, 70' left of centerline, up to 361' MSL.

Tree 3782' from DER, 1040' left of centerline, 362' MSL.

Trees, building, pole beginning 3792' from DER, 62' left of centerline, up to 379' MSL.

Trees, terrain, building, vehicle on road beginning 3998' from DER, 68' right of centerline, up to 394' MSL.

Trees, building beginning 4002' from DER, 14' left of centerline, up to 431' MSL.

Trees, fence, buildings, vehicle on road, electrical system, terrain beginning 4128' from DER, 1' left of centerline, up to 441' MSL.

Trees, buildings, vehicles on road, poles beginning 4208' from DER, 13' right of centerline, up to 411' MSL.

Trees, building beginning 4542' from DER, 187' left of centerline, up to 446' MSL.

Trees, vehicles on road beginning 4721' from DER, 67' left of centerline, up to 451' MSL.

Trees, terrain, fence beginning 4823' from DER, 16' left of centerline, up to 463' MSL.

Trees, vehicles on road, terrain beginning 4869' from DER, 73' left of centerline, up to 466' MSL.

Trees, terrain, buildings, vehicle on road, pole beginning 4972' from DER, 134' left of centerline, up to 482' MSL.

Trees, terrain, pole beginning 5194' from DER, 96' left of centerline, up to 485' MSL.

Trees, vehicles on road, terrain, poles, fences, buildings, antennas, towers, electrical systems beginning 5315' from DER, 6' left of centerline, up to 495' MSL.

Tree 1.6 NM from DER, 2306' right of centerline, 89' AGL/444' MSL.

Tree 1.6 NM from DER, 1792' right of centerline, 475' MSL.

Trees beginning 1.7 NM from DER, 2448' right of centerline, up to 504' MSL.

Tree 1.7 NM from DER, 1958' right of centerline, 128' AGL/596' MSL.

Trees, building beginning 1.7 NM from DER, 1350' right of centerline, up to 122' AGL/604' MSL.

Antenna 1.8 NM from DER, 193' left of centerline, 214' AGL/509' MSL.

Tower 1.8 NM from DER, 51' left of centerline, 205' AGL/513' MSL.

Antennas, towers beginning 1.8 NM from DER, 52' left of centerline, up to 210' AGL/516' MSL.

Tree 2.4 NM from DER, 3826' right of centerline, 559' MSL.

MOUNT HOLLY, NJ

SOUTH JERSEY RGNL (VAY)

TAKEOFF MINIMUMS AND (OBSTACLE) DEPARTURE PROCEDURES

ORIG 04JUN09 (09155) (FAA)

TAKEOFF MINIMUMS:

Rwy 26, 300-2½ or std. w/ min. climb of 205' per NM to 500. Alternatively, with standard TAKEOFF minimums and a normal 200'/NM climb gradient, TAKEOFF must occur no later than 1300' prior to DER.

TAKEOFF OBSTACLE NOTES:

Rwy 8, trees beginning 15' from DER, 32' right of centerline, up to 100' AGL/179' MSL.

Trees beginning 631' from DER, 339' left of centerline, up to 100' AGL/159' MSL.

Rwy 26, building 522' from DER, 604' right of centerline, 30' AGL/89' MSL.

Building 540' from DER, 546' left of centerline, 30' AGL/89' MSL.

Vehicle on road 650' from DER, on centerline, 17' AGL/67' MSL.

Trees beginning 1599' from DER, 5' right of centerline, up to 100' AGL/179' MSL.

Trees beginning 418' from DER, 408' left of centerline, up to 100' AGL/179' MSL.

Tower 1.9 NM from DER, 1712' right of centerline, 179' AGL/348' MSL.

NEW YORK, NY

DOWNTOWN MANHATTAN/WALL ST (JRB)

TAKEOFF MINIMUMS AND (OBSTACLE) DEPARTURE PROCEDURES

AMDT 1 22APR21 (21112) (FAA)

TAKEOFF MINIMUMS:

01H NA - ATC.

TAKEOFF MINIMUMS, (OBSTACLE) DEPARTURE PROCEDURES, AND DIVERSE VECTOR AREA (RADAR VECTORS)

21336

NE-2


**TAKEOFF MINIMUMS, (OBSTACLE) DEPARTURE PROCEDURES, AND
DIVERSE VECTOR AREA (RADAR VECTORS)**


21336

NEW YORK, NY (CON'T)

EAST 34TH ST (6N5)

TAKEOFF MINIMUMS AND (OBSTACLE) DEPARTURE PROCEDURES

AMDT 1 22APR21 (21112) (FAA)

TAKEOFF MINIMUMS:

01H NA - ATC.

JOHN F KENNEDY INTL (JFK)

TAKEOFF MINIMUMS AND (OBSTACLE) DEPARTURE PROCEDURES

AMDT 9 15OCT15 (15288) (FAA)

TAKEOFF MINIMUMS:

Rwy 31L, std. w/min. climb of 250' per NM to 2400.**Rwy 31R**, std. w/min. climb of 230' per NM to 2400.

TAKEOFF OBSTACLE NOTES:

Trees beginning 400' from DER, 765' right of centerline, up to 7' AGL/22' MSL.

Localizer 204' from DER, on centerline, 6' AGL/21' MSL.

Tower, light poles, utility poles, fence, and building beginning 212' from DER, left and right of centerline, up to 15' AGL/28' MSL.

Trees beginning 400' from DER, 765' right of centerline, up to 79' AGL/92' MSL.

Trees beginning 77' from DER, 655' left of centerline, up to 74' AGL/87' MSL.

Rwy 4R, lights beginning 6' from DER, 4' right of centerline, up to 2' AGL/13' MSL.

Lights beginning 6' from DER, 5' left of centerline, up to 2' AGL/13' MSL.

Lights 10' from DER, on centerline, 2' AGL/13' MSL.

Trees beginning 493' from DER, 468' right of centerline, up to 34' AGL/48' MSL.

Trees beginning 1757' from DER, 626' right of centerline, up to 57' AGL/66' MSL.

Trees beginning 1274' from DER, 477' left of centerline, up to 73' AGL/76' MSL.

Rwy 13L, sign and lights beginning 2' from DER, 2' right of centerline, up to 3' AGL/14' MSL.

Lights 11' from DER, on centerline, 2' AGL/13' MSL.

Sign, electrical equipment, and lights beginning 11' from DER, 3' left of centerline, up to 3' AGL/14' MSL.

Pole and sign beginning 254' from DER, 523' right of centerline, up to 9' AGL/20' MSL.

Rod 1119' from DER, 140' left of centerline, 39' AGL/58' MSL.

Trees beginning 1774' from DER, 1' right of centerline, up to 72' AGL/91' MSL.

Rwy 13R, lights beginning 4' from DER, 40' right of centerline, up to 3' AGL/14' MSL.

Lights beginning 4' from DER, 15' left of centerline, up to 3' AGL/14' MSL.

Buildings, tower, and glideslope antenna beginning 418' from DER, 404' left of centerline, up to 39' AGL/58' MSL.

Transmission towers beginning 4749' from DER, 1385' right of centerline, up to 139' AGL/140' MSL.

Rwy 22L, lights beginning 3' from DER, 4' left of centerline, up to 2' AGL/13' MSL.

Lights beginning 4' from DER, 5' right of centerline, up to 2' AGL/13' MSL.

Lights 5' from DER, on centerline, 2' AGL/13' MSL.

Trees beginning 433' from DER, 578' left of centerline, up to 27' AGL/31' MSL.

Rwy 22R, lights beginning abeam DER, 55' right of centerline, up to 2' AGL/13' MSL.

Fence, lights, and bushes beginning abeam DER, 54' left of centerline, up to 8' AGL/19' MSL.

Rwy 31L, lights beginning 9' from DER, 80' right of centerline, up to 3' AGL/14' MSL.

Lights beginning 10' from DER, 80' left of centerline, up to 2' AGL/13' MSL.

Trees 2075' from DER, 435' left of centerline, up to 87' AGL/91' MSL.

Rwy 31R, lights beginning 8' from DER, 3' left of centerline, up to 2' AGL/13' MSL.

Lights 10' from DER, on centerline, 2' AGL/13' MSL.

Lights beginning 10' from DER, 3' right of centerline, up to 2' AGL/13' MSL.

Electrical system, electrical box, and lights beginning 101' from DER, on centerline, and left and right of centerline, up to 7' AGL/18' MSL.

Approach lights beginning 200' from DER, on centerline, up to 9' AGL/27' MSL.

Fences, lights, and poles beginning 146' from DER, 115' left of centerline, up to 19' AGL/30' MSL.

Lights and trees beginning 553' from DER, 191' right of centerline, up to 34' AGL/48' MSL.

Lights and poles beginning 1443' from DER, 334' left of centerline, up to 55' AGL/67' MSL.

Pole 2162' from DER, 562' right of centerline, 54' AGL/66' MSL.

Antenna 3916' from DER, 1550' right of centerline, 111' AGL/130' MSL.

02 DEC 2021 to 30 DEC 2021

02 DEC 2021 to 30 DEC 2021


**TAKEOFF MINIMUMS, (OBSTACLE) DEPARTURE PROCEDURES, AND
DIVERSE VECTOR AREA (RADAR VECTORS)**


21336

NE-2

TAKEOFF MINIMUMS, (OBSTACLE) DEPARTURE PROCEDURES, AND DIVERSE VECTOR AREA (RADAR VECTORS)

21336

NEW YORK, NY (CON'T)

LAGUARDIA (LGA)

TAKEOFF MINIMUMS AND (OBSTACLE) DEPARTURE PROCEDURES

AMDT 10 15288 (FAA)

TAKEOFF MINIMUMS:

Rwy 13, 400-2¼ or std. w/min. climb of 280' per NM to 500.

Rwy 22, 300-2¼ or std. w/min. climb of 210' per NM to 400, or alternatively, with standard takeoff minimums and a normal 200' per NM climb gradient, takeoff must occur no later than 1100' prior to DER.

Rwy 31, 300-1¼ or std. w/min. climb of 330' per NM to 500.

DEPARTURE PROCEDURE:

Rwy 4, climb heading 044° to 1000 before proceeding on course.

Rwy 13, climb heading 134° to 1000 before proceeding westbound.

Rwy 22, climb heading 224° to 2200 before proceeding westbound (RADAR required).

Rwy 31, climb heading 314° to 1700 before proceeding westbound.

TAKEOFF OBSTACLE NOTES:

Rwy 13, localizer 392' from DER, on centerline, 18' AGL/19' MSL.

Stack, fences, and buildings beginning 97' from DER, 171' left of centerline, up to 83' AGL/103' MSL.

Fences, buildings, and trees beginning 28' from DER, 415' right of centerline, up to 21' AGL/22' MSL.

Stack 4934' from DER, 1513' left of centerline, 172' AGL/181' MSL.

Building 1.9 NM from DER, 758' right of centerline, 280' AGL/345' MSL.

Rwy 22, building 1278' from DER, 169' left of centerline, 48' AGL/71' MSL.

Buildings and trees beginning 165' from DER, 150' left of centerline, up to 72' AGL/101' MSL.

Blast fence, fence, stack on building, NAVAID, and trees beginning 109' from DER, 138' right of centerline, up to 55' AGL/104' MSL.

Tower 1.8 NM from DER, 566' right of centerline, 222' AGL/302' MSL.

Rwy 31, stack 1.2 NM from DER, 2015' left of centerline, 250' AGL/268' MSL.

LONG ISLAND MAC ARTHUR (ISP)

TAKEOFF MINIMUMS AND (OBSTACLE) DEPARTURE PROCEDURES

AMDT 5A 13SEP18 (18256) (FAA)

TAKEOFF OBSTACLE NOTES:

Rwy 6, lighting 1' from DER, on centerline, 99' MSL.

Tree 902' from DER, 663' right of centerline, 43' AGL/140' MSL.

Trees beginning 1221' from DER, 708' right of centerline, up to 148' MSL.

Tree 1390' from DER, 854' left of centerline, 40' AGL/144' MSL.

Trees beginning 1515' from DER, 799' left of centerline, up to 148' MSL.

Trees beginning 1888' from DER, 938' left of centerline, up to 151' MSL.

Trees beginning 2014' from DER, 857' right of centerline, up to 156' MSL.

Trees beginning 2140' from DER, 853' left of centerline, up to 155' MSL.

Trees beginning 2269' from DER, 849' left of centerline, up to 166' MSL.

Tree 2332' from DER, 996' right of centerline, 159' MSL.

Tree 2399' from DER, 1086' right of centerline, 163' MSL.

Pole, tree beginning 2457' from DER, 865' left of centerline, up to 65' AGL/175' MSL.

Tree 2613' from DER, 727' right of centerline, 62' AGL/169' MSL.

Tree 2682' from DER, 1165' right of centerline, 173' MSL.

Tree 3423' from DER, 190' right of centerline, 75' AGL/186' MSL.

Tree 3563' from DER, 76' left of centerline, 77' AGL/189' MSL.

Rwy 15L, sign 9' from DER, 66' left of centerline, 83' MSL.

Terrain beginning 12' from DER, 458' left of centerline, up to 89' MSL.

Trees beginning 705' from DER, 404' right of centerline, up to 43' AGL/122' MSL.

Trees beginning 732' from DER, 560' right of centerline, up to 44' AGL/124' MSL.

Trees beginning 751' from DER, 317' right of centerline, up to 45' AGL/125' MSL.

Trees beginning 785' from DER, 224' right of centerline, up to 48' AGL/128' MSL.

Trees beginning 843' from DER, 188' right of centerline, up to 129' MSL.

Trees beginning 929' from DER, 192' right of centerline, up to 50' AGL/130' MSL.

Tree 933' from DER, 201' left of centerline, 113' MSL.

Tree 952' from DER, 209' left of centerline, 114' MSL.

Tree 974' from DER, 196' left of centerline, 118' MSL.

Trees beginning 977' from DER, 193' left of centerline, up to 120' MSL.

Trees beginning 1111' from DER, 16' right of centerline, up to 56' AGL/136' MSL.

Trees beginning 1133' from DER, 199' left of centerline, up to 48' AGL/132' MSL.

Trees beginning 1248' from DER, 42' left of centerline, up to 133' MSL.

Trees beginning 1506' from DER, 24' left of centerline, up to 139' MSL.

Trees beginning 1572' from DER, 138' left of centerline, up to 143' MSL.

Trees beginning 2291' from DER, 720' left of centerline, up to 145' MSL.

Trees beginning 2412' from DER, 802' left of centerline, up to 147' MSL.

Rwy 15R, vehicles on road beginning 175' from DER, 439' right of centerline, up to 91' MSL.

Building 629' from DER, 666' right of centerline, 101' MSL.

Tree 1213' from DER, 162' left of centerline, 109' MSL.

Tree 1239' from DER, 101' left of centerline, 112' MSL.

Tree 1267' from DER, 188' left of centerline, 45' AGL/121' MSL.

Trees beginning 1269' from DER, 74' left of centerline, up to 43' AGL/122' MSL.

Trees beginning 1295' from DER, 248' left of centerline, up to 44' AGL/124' MSL.

Trees beginning 1314' from DER, 178' left of centerline, up to 45' AGL/125' MSL.

CON'T

TAKEOFF MINIMUMS, (OBSTACLE) DEPARTURE PROCEDURES, AND DIVERSE VECTOR AREA (RADAR VECTORS)

21336

NE-2


TAKEOFF MINIMUMS, (OBSTACLE) DEPARTURE PROCEDURES, AND


DIVERSE VECTOR AREA (RADAR VECTORS)

21336

NEW YORK, NY (CON'T)**LONG ISLAND MAC ARTHUR (ISP) (CON'T)**

Rwy 15R (CON'T), trees beginning 1348' from DER, 81' left of centerline, up to 48' AGL/128' MSL.
 Trees beginning 1406' from DER, 67' left of centerline, up to 129' MSL.
 Trees beginning 1492' from DER, 174' left of centerline, up to 50' AGL/130' MSL.
 Trees beginning 1675' from DER, 236' left of centerline, up to 56' AGL/136' MSL.
 Tree 1778' from DER, 924' right of centerline, 124' MSL.
Rwy 24, pole 787' from DER, 656' right of centerline, 38' AGL/120' MSL.
 Tree, pole beginning 826' from DER, 559' left of centerline, up to 131' MSL.
 Tree 1063' from DER, 781' right of centerline, 137' MSL.
 Tree 1592' from DER, 892' left of centerline, 141' MSL.
 Trees beginning 1976' from DER, 188' left of centerline, up to 142' MSL.
Rwy 33L, trees beginning 37' from DER, 467' right of centerline, up to 47' AGL/145' MSL.
 Vehicles on road, tree beginning 92' from DER, 309' left of centerline, up to 112' MSL.
 Tree, pole, vehicles on road beginning 392' from DER, 250' left of centerline, up to 116' MSL.
 Trees beginning 551' from DER, 569' right of centerline, up to 149' MSL.
 Trees beginning 563' from DER, 487' right of centerline, up to 50' AGL/151' MSL.
 Tree 567' from DER, 637' right of centerline, 153' MSL.
 Trees beginning 579' from DER, 534' right of centerline, up to 53' AGL/154' MSL.
 Trees beginning 658' from DER, 519' right of centerline, up to 53' AGL/155' MSL.
 Tree 680' from DER, 483' left of centerline, 118' MSL.
 Trees beginning 692' from DER, 501' right of centerline, up to 55' AGL/158' MSL.
 Pole 699' from DER, 504' left of centerline, 32' AGL/132' MSL.
 Pole, building, tree beginning 719' from DER, 325' left of centerline, up to 40' AGL/140' MSL.
 Trees beginning 860' from DER, 394' right of centerline, up to 55' AGL/159' MSL.
 Tree, tank beginning 1075' from DER, 127' left of centerline, up to 142' MSL.
 Tree 1223' from DER, 187' left of centerline, 143' MSL.
 Trees beginning 1224' from DER, 141' left of centerline, up to 42' AGL/145' MSL.
 Trees beginning 1263' from DER, 61' left of centerline, up to 43' AGL/146' MSL.
 Tree, pole beginning 1290' from DER, 3' right of centerline, up to 55' AGL/160' MSL.
 Trees beginning 1319' from DER, 31' left of centerline, up to 47' AGL/150' MSL.
 Trees beginning 1523' from DER, 107' left of centerline, up to 52' AGL/155' MSL.
 Tower, tree beginning 1528' from DER, 17' left of centerline, up to 61' AGL/163' MSL.
 Trees beginning 1740' from DER, 6' left of centerline, up to 63' AGL/166' MSL.
 Trees beginning 1948' from DER, 27' right of centerline, up to 59' AGL/166' MSL.
 Trees beginning 2023' from DER, 13' left of centerline, up to 64' AGL/168' MSL.
 Trees beginning 2055' from DER, 5' right of centerline, up to 69' AGL/174' MSL.
 Trees beginning 2075' from DER, 26' left of centerline, up to 65' AGL/169' MSL.
 Trees beginning 2186' from DER, 34' left of centerline, up to 68' AGL/172' MSL.
 Trees beginning 2791' from DER, 389' right of centerline, up to 179' MSL.
 Trees beginning 2796' from DER, 362' right of centerline, up to 180' MSL.
 Trees beginning 2893' from DER, 316' right of centerline, up to 75' AGL/181' MSL.
 Tree 2977' from DER, 1203' left of centerline, 173' MSL.
 Tree 3173' from DER, 30' left of centerline, 83' AGL/188' MSL.
 Tree 3370' from DER, 114' right of centerline, 78' AGL/185' MSL.
Rwy 33R, tower 324' from DER, 483' right of centerline, 28' AGL/118' MSL.
 NAVAID 325' from DER, 484' right of centerline, 125' MSL.
 NAVAID, pole beginning 725' from DER, 582' left of centerline, up to 114' MSL.
 Trees beginning 761' from DER, 14' right of centerline, up to 130' MSL.
 Tree 785' from DER, 166' left of centerline, 117' MSL.
 Trees beginning 796' from DER, 63' left of centerline, up to 118' MSL.
 Trees beginning 798' from DER, 34' right of centerline, up to 138' MSL.
 Trees beginning 808' from DER, 164' left of centerline, up to 121' MSL.
 Trees beginning 824' from DER, 19' left of centerline, up to 128' MSL.
 Trees beginning 829' from DER, 21' right of centerline, up to 139' MSL.
 Trees beginning 862' from DER, on centerline, up to 140' MSL.
 Trees beginning 960' from DER, 60' left of centerline, up to 129' MSL.
 Trees beginning 970' from DER, 40' right of centerline, up to 141' MSL.
 Trees beginning 993' from DER, 6' left of centerline, up to 133' MSL.
 Trees beginning 1014' from DER, 4' right of centerline, up to 146' MSL.
 Trees beginning 1277' from DER, 16' left of centerline, up to 136' MSL.
 Trees beginning 1463' from DER, 30' left of centerline, up to 138' MSL.
 Trees beginning 1504' from DER, 40' left of centerline, up to 142' MSL.
 Trees beginning 1527' from DER, 4' left of centerline, up to 143' MSL.
 Trees beginning 1969' from DER, 42' left of centerline, up to 144' MSL.
 Trees beginning 2020' from DER, 218' left of centerline, up to 145' MSL.
 Tree 2157' from DER, 196' left of centerline, 146' MSL.
 Trees beginning 2199' from DER, 189' left of centerline, up to 147' MSL.
 Tower 2995' from DER, 79' right of centerline, 108' AGL/209' MSL.

02 DEC 2021 to 30 DEC 2021

02 DEC 2021 to 30 DEC 2021


TAKEOFF MINIMUMS, (OBSTACLE) DEPARTURE PROCEDURES, AND


DIVERSE VECTOR AREA (RADAR VECTORS)

21336

NE-2

TAKEOFF MINIMUMS, (OBSTACLE) DEPARTURE PROCEDURES, AND DIVERSE VECTOR AREA (RADAR VECTORS)

21336

NEW YORK, NY (CON'T)

NEW YORK STEWART INTL (SWF)

TAKEOFF MINIMUMS AND (OBSTACLE) DEPARTURE PROCEDURES

AMDT 6B 15AUG19 (19227) (FAA)

TAKEOFF MINIMUMS:

Rwy 16, std. w/min. climb of 255' per NM to 2100 or 1500-2½ for climb in visual conditions.

Rwy 27, 300-1 or std. w/ min. climb of 400' per NM to 800.

Rwy 34, 300-1 or std. w/ min. climb of 503' per NM to 800.

DEPARTURE PROCEDURE:

Rwy 9, climb heading 087° to 2100 before proceeding on course.

Rwy 16, climb heading 161° to 1800 before proceeding on course. For climb in visual conditions: cross New York Stewart Intl airport at or above 1800 MSL before proceeding on course. When executing VCOA, notify ATC prior to departure.

Rwy 27, climb heading 272° to 1200 before turning south.

TAKEOFF OBSTACLE NOTES:

Rwy 9, trees beginning 68' from DER, 132' left of centerline, up to 43' AGL/487' MSL.

Trees beginning 727' from DER, 23' left of centerline, up to 95' AGL/546' MSL.

Trees beginning 955' from DER, 21' right of centerline, up to 86' AGL/535' MSL.

Trees beginning 2692' from DER, 659' left of centerline, up to 78' AGL/587' MSL.

Rwy 16, trees beginning 785' from DER, 462' left of centerline, up to 70' AGL/466' MSL.

Trees beginning 1255' from DER, 562' right of centerline, up to 109' AGL/492' MSL.

Rwy 27, airport sign 10' from DER, 54' left of centerline, 2' AGL/491' MSL.

Building 694' from DER, 2' right of centerline, 16' AGL/509' MSL.

Terrain, DME antenna, and trees beginning 599' from DER, 246' left of centerline, up to 38' AGL/537' MSL.

Trees beginning 2259' from DER, 197' left of centerline, up to 101' AGL/640' MSL.

Trees 3454' from DER, 1400' left of centerline, up to 118' AGL/667' MSL.

Trees beginning 4122' from DER, 1441' right of centerline, up to 108' AGL/627' MSL.

Rwy 34, terrain beginning 77' from DER, 250' right of centerline, up to 475' MSL.

Poles and trees beginning 1094' from DER, 157' right of centerline, up to 72' AGL/571' MSL.

Trees 1045' from DER, 597' left of centerline, up to 83' AGL/542' MSL.

Trees beginning 1773' from DER, 49' left of centerline, up to 98' AGL/587' MSL.

Trees beginning 2422' from DER, 70' right of centerline, up to 72' AGL/601' MSL.

Trees 2473' from DER, 910' right of centerline, up to 70' AGL/629' MSL.

Trees 3207' from DER, 1345' right of centerline, up to 78' AGL/657' MSL.

Trees beginning 4426' from DER, 244' left of centerline, up to 72' AGL/611' MSL.

Trees 5527' from DER, 83' right of centerline, up to 83' AGL/612' MSL.

WEST 30TH ST (JRA)

TAKEOFF MINIMUMS AND (OBSTACLE) DEPARTURE PROCEDURES

AMDT 2 22APR21 (21112) (FAA)

TAKEOFF MINIMUMS:

01H NA - ATC.

NEWARK, NJ

NEWARK LIBERTY INTL (EWR)

TAKEOFF MINIMUMS AND (OBSTACLE) DEPARTURE PROCEDURES

AMDT 5 11FEB10 (10042) (FAA)

TAKEOFF MINIMUMS:

Rwy 4L, std. w/ min. climb of 383' per NM to 2500.

Rwy 4R, std. w/ min. climb of 375' per NM to 2500.

Rwy 11, std. w/ min. climb of 361' per NM to 2500.

Rwy 22L, std. w/ min. climb of 337' per NM to 2500.

Rwy 22R, std. w/ min. climb of 331' per NM to 2500.

Rwy 29, 400-2 or std. w/ min. climb of 444' per NM to 500.

DEPARTURE PROCEDURE:

Rwy 4R, climb heading 039° to 500 before turning right.

Rwy 22L, climb heading 219° to 500 before turning left.

Rwy 29, climb heading 288° to 800 before turning Eastbound.

TAKEOFF OBSTACLE NOTES:

Rwy 4L, tower, light, and multiple trees beginning 211' from DER, 198' left of centerline, up to 70' AGL/89' MSL.

DME antenna and pole beginning 881' from DER, 418' right of centerline, up to 121' AGL/131' MSL.

Rwy 4R, DME antenna, tree, and multiple towers beginning 530' from DER, 477' left of centerline, up to 61' AGL/82' MSL.

Tower, sign, tree, multiple buildings and poles beginning 1134' from DER, 153' right of centerline, up to 121' AGL/131' MSL.

Rwy 11, pole, tree, and multiple signs beginning 6' from DER, 158' right of centerline, up to 31' AGL/50' MSL.

Sign, tree, road, fence, building, and multiple poles beginning 82' from DER, 2' left of centerline, up to 49' AGL/68' MSL.

Rwy 22L, pole 8' from DER, 261' left of centerline, 7' AGL/16' MSL.

Rwy 22R, light and multiple trees beginning 1829' from DER, 307' right of centerline, up to 55' AGL/69' MSL.

Building 1.4 NM from DER, 1872' left of centerline, 200' AGL/227' MSL.

Rwy 29, multiple poles, trees, signs and buildings beginning 209' from DER, 242' left of centerline, up to 110' AGL/120' MSL.

Tree multiple signs and poles beginning 689' from DER, 66' right of centerline, up to 273' AGL/358' MSL.

Building 6029' from DER, 1624' right of centerline, 273' AGL/357' MSL.

Building 1.5 NM from DER, 2071' right of centerline, 202' AGL/328' MSL.



TAKEOFF MINIMUMS, (OBSTACLE) DEPARTURE PROCEDURES, AND DIVERSE VECTOR AREA (RADAR VECTORS)

21336

NE-2


**TAKEOFF MINIMUMS, (OBSTACLE) DEPARTURE PROCEDURES, AND
DIVERSE VECTOR AREA (RADAR VECTORS)**


21336

NIAGARA FALLS, NY**NIAGARA FALLS INTL (IAG)****TAKEOFF MINIMUMS AND (OBSTACLE) DEPARTURE PROCEDURES**

AMDT 2A 25OCT07 (07298) (FAA)

TAKEOFF MINIMUMS:**Rwys 10L, 10R, 24**, 300-1 or std. with a min. climb of 300' per NM to 1700.**DEPARTURE PROCEDURE:****Rwy 6**, climb heading 060° to 1200 before proceeding on course.**Rwys 10L, 10R, 24** climb runway heading to 1700 before proceeding on course.**Rwys 28L, 28R**, climb heading 280° to 1200 before proceeding on course.**TAKEOFF OBSTACLE NOTES:****Rwy 6**, tree 1737' from DER, 308' left of centerline, 60' AGL/647' MSL.**Rwy 28L**, trees beginning 1668' from DER, 244' right of centerline, up to 74' AGL/654' MSL.

Trees beginning 1337' from DER, 62' left of centerline, up to 63' AGL/646' MSL.

Bush 625' from DER, 172' right of centerline, 26' AGL/611' MSL.

Rwy 28R, trees beginning 866' from DER, 105' right of centerline, up to 100' AGL/690' MSL.

Trees beginning 837' from DER, 321' left of centerline, up to 87' AGL/667' MSL.

NORWICH, NY**LT WARREN EATON (OIC)****TAKEOFF MINIMUMS AND (OBSTACLE) DEPARTURE PROCEDURES**

AMDT 4 15OCT15 (15288) (FAA)

TAKEOFF MINIMUMS:**Rwy 1**, 700-3 w/min. climb of 325' to 2300 or std. w/min. climb of 495' per NM to 1900 or 1600-3 for climb in visual conditions.**Rwy 19**, 700-3 w/min. climb of 270' per NM to 2100 or std. w/min. climb of 804' per NM to 1900 or 1600-3 for climb in visual conditions.**DEPARTURE PROCEDURE:****Rwy 1**, climb heading 014° to 2200 before proceeding on course.**Rwy 19**, climb heading 194° to 2100 before proceeding on course.**VCOA:****Rwys 1, 19**, obtain ATC approval for climb in visual conditions when requesting IFR clearance. Climb in visual conditions to cross LT Warren Eaton airport at or above 2500 before proceeding on course.**TAKEOFF OBSTACLE NOTES:****Rwy 1**, vehicles on roadway beginning 22' from DER, 128' left of centerline, up to 15' AGL/1034' MSL.

Trees beginning 96' from DER, 303' left of centerline, up to 44' AGL/1063' MSL.

Trees beginning 339' from DER, 211' right of centerline, up to 63' AGL/1082' MSL.

Rising terrain and trees beginning 1005' from DER, 10' left of centerline, up to 91' AGL/1159' MSL.

Trees and poles beginning 492' from DER, 24' right of centerline, up to 91' AGL/1099' MSL.

Rising terrain and trees beginning 5954' from DER, 1482' right of centerline, up to 88' AGL/1685' MSL.

Trees and buildings beginning 1.9 miles from DER, 1920' right of centerline, up to 88' AGL/1669' MSL.

Rising terrain and trees beginning 2 NM from DER, 1981' right of centerline, up to 84' AGL/1685' MSL.

Trees beginning 2.6 NM from DER, 2230' right of centerline, up to 110' AGL/1651' MSL.

Rwy 19, trees and poles beginning 49' from DER, 30' left of centerline, up to 59' AGL/1060' MSL.

Fence 77' from DER, 476' right of centerline, 9' AGL/1025' MSL.

Trees and poles beginning 387' from DER, 8' right of centerline, up to 64' AGL/1065' MSL.

Trees, poles and buildings beginning 1057' from DER, 78' right of centerline, up to 76' AGL/1197' MSL.

Trees beginning 1571' from DER, 6' left of centerline, up to 87' AGL/1088' MSL.

Vehicles on roadway beginning 1692' from DER, 448' right of centerline, up to 17' AGL/1076' MSL.

Rising terrain, trees and buildings beginning 2126' from DER, 75' right of centerline, up to 67' AGL/1273' MSL.

Trees 2370' from DER, 982' right of centerline, up to 100' AGL/1252' MSL.

Trees beginning 1.6 NM from DER, 1188' right of centerline, up to 101' AGL/1626' MSL.

Trees beginning 2.3 NM from DER, 3561' right of centerline, up to 85' AGL/1626' MSL.

Trees beginning 2.8 NM from DER, 1188' right of centerline, up to 120' AGL/1581' MSL.

Rising terrain and trees beginning 3.2 NM from DER, 2666' right of centerline, up to 98' AGL/1819' MSL.

02 DEC 2021 to 30 DEC 2021

02 DEC 2021 to 30 DEC 2021


**TAKEOFF MINIMUMS, (OBSTACLE) DEPARTURE PROCEDURES, AND
DIVERSE VECTOR AREA (RADAR VECTORS)**


21336

NE-2

TAKEOFF MINIMUMS, (OBSTACLE) DEPARTURE PROCEDURES, AND DIVERSE VECTOR AREA (RADAR VECTORS)

21336

OGDENSBURG, NY

OGDENSBURG INTL (OGS)

TAKEOFF MINIMUMS AND (OBSTACLE) DEPARTURE PROCEDURES

AMDT 2 15SEP16 (16259) (FAA)

TAKEOFF OBSTACLE NOTES:

- Rwy 9**, tree 314' from DER, 483' left of centerline, 37' AGL/341' MSL.
- Trees, beginning 878' from DER, 90' left of centerline, up to 58' AGL/373' MSL.
- Pole 1048' from DER, 741' right of centerline, 39' AGL/344' MSL.
- Trees, beginning 1153' from DER, 147' right of centerline, up to 59' AGL/366' MSL.
- Rwy 27**, sign 6' from DER, 394' left of centerline, 3' AGL/288' MSL.
- Vegetation, terrain, beginning 47' from DER, 313' right of centerline, up to 2' AGL/292' MSL.
- Terrain 72' from DER, 352' right of centerline, 289' MSL.
- Bldg 583' from DER, 474' left of centerline, 47' AGL/329' MSL.
- Trees, beginning 698' from DER, 181' left of centerline, up to 56' AGL/337' MSL.
- Tree 997' from DER, 532' right of centerline, 60' AGL/341' MSL.
- Trees, beginning 1015' from DER, 62' right of centerline, up to 69' AGL/350' MSL.
- Trees, beginning 1216' from DER, 56' right of centerline, up to 95' AGL/376' MSL.
- Trees, beginning 1251' from DER, 33' left of centerline, up to 75' AGL/353' MSL.
- Tree 2345' from DER, 150' left of centerline, 354' MSL.
- Tree 4155' from DER, 269' left of centerline, 390' MSL.

OLD BRIDGE, NJ

OLD BRIDGE (3N6)

TAKEOFF MINIMUMS AND (OBSTACLE) DEPARTURE PROCEDURES

AMDT 1 27AUG09 (09239) (FAA)

TAKEOFF MINIMUMS:

- Rwy 24**, 300-2½ or std. w/ min. climb of 223' per NM to 400.

TAKEOFF OBSTACLE NOTES:

- Rwy 6**, trees beginning 49' from DER, 4' left and right of centerline, up to 100' AGL/199' MSL.
- Rwy 24**, trees beginning 47' from DER, 46' left and right of centerline, up to 100' AGL/299' MSL.

OLEAN, NY

CATTARAUGUS COUNTY-OLEAN (OLE)

TAKEOFF MINIMUMS AND (OBSTACLE) DEPARTURE PROCEDURES

AMDT 3A 28FEB19 (19059) (FAA)

TAKEOFF MINIMUMS:

- Rwys 16, 34**, NA-Environmental.

TAKEOFF OBSTACLE NOTES:

- Rwy 4**, trees beginning 10' from DER, 348' left of centerline, up to 49' AGL/2150' MSL.
- Trees beginning 41' from DER, 328' right of centerline, up to 2130' MSL.
- Tree 981' from DER, 577' left of centerline, 69' AGL/2154' MSL.
- Tree 1262' from DER, 764' left of centerline, 2156' MSL.
- Tree 1754' from DER, 905' left of centerline, 2184' MSL.
- Trees beginning 1902' from DER, 906' left of centerline, up to 2189' MSL.
- Rwy 22**, trees beginning 26' from DER, 65' left of centerline, up to 2188' MSL.

ONEONTA, NY

ALBERT S NADER RGNL (N66)

TAKEOFF MINIMUMS AND (OBSTACLE) DEPARTURE PROCEDURES

AMDT 1A 26MAR20 (20086) (FAA)

TAKEOFF MINIMUMS:

- Rwy 6**, 300-1¼ or std. w/min. climb of 308' per NM to 2000.

TAKEOFF OBSTACLE NOTES:

- Rwy 6**, pole 1' from DER, 319' left of centerline, 16' AGL/1775' MSL.
- Fence 207' from DER, 267' left of centerline, 12' AGL/1765' MSL.
- Tree 182' from DER, 401' right of centerline, 85' AGL/1787' MSL.
- Trees beginning 392' from DER, 105' left of centerline, up to 85' AGL/1788' MSL.
- Trees beginning 410' from DER, 434' right of centerline, up to 85' AGL/1798' MSL.
- Trees beginning 1678' from DER, 354' left of centerline, up to 85' AGL/1844' MSL.
- Trees beginning 1675' from DER, 188' right of centerline, up to 85' AGL/1829' MSL.
- Trees beginning 2703' from DER, 190' left of centerline, up to 85' AGL/1870' MSL.
- Trees beginning 2385' from DER, 450' right of centerline, up to 85' AGL/1852' MSL.
- Trees beginning 4715' from DER, 152' right of centerline, up to 85' AGL/1940' MSL.
- Rwy 24**, bush 196' from DER, 203' left of centerline, 6' AGL/1775' MSL.
- Road 209' from DER, 373' left of centerline, 1779' MSL.
- Fence 312' from DER, 343' left of centerline, 2' AGL/1771' MSL.
- Trees beginning 83' from DER, 396' left of centerline, up to 90' AGL/1859' MSL.
- Trees beginning 53' from DER, 173' right of centerline, up to 90' AGL/1846' MSL.

TAKEOFF MINIMUMS, (OBSTACLE) DEPARTURE PROCEDURES, AND DIVERSE VECTOR AREA (RADAR VECTORS)

21336

NE-2

TAKEOFF MINIMUMS, (OBSTACLE) DEPARTURE PROCEDURES, AND DIVERSE VECTOR AREA (RADAR VECTORS)

21336

PEDRICKTOWN, NJ

OLDMANS TOWNSHIP (7N7)

TAKEOFF MINIMUMS AND (OBSTACLE) DEPARTURE PROCEDURES

AMDT 1 20OCT11 (21112) (FAA)

TAKEOFF MINIMUMS:

Rwy 25, NA - Obstacles.

DEPARTURE PROCEDURE:

Rwy 7, climb heading 074° to 800 before turning right.

TAKEOFF OBSTACLE NOTES:

Rwy 7, trees beginning at DER, 132' left of centerline, up to 100' AGL/144' MSL.

Trees beginning 3288' from DER, 962' right of centerline, up to 100' AGL/149' MSL.

PENN YAN, NY

PENN YAN (PEO)

TAKEOFF MINIMUMS AND (OBSTACLE) DEPARTURE PROCEDURES

AMDT 5 08NOV18 (18312) (FAA)

TAKEOFF MINIMUMS:

Rwy 19, std. w/min. climb 275' per NM to 2000, or 1100-2½ for climb in visual conditions.

Rwy 28, std. w/min. climb 440' per NM to 1600, or 1100-2½ for climb in visual conditions.

DEPARTURE PROCEDURE:

Rwy 1, climb on heading 009° to 1500 before turning left.

VCOA:

Rwy 19, obtain ATC approval for VCOA when requesting IFR clearance. Climb in visual conditions to cross Penn Yan Airport at or above 1900 before proceeding on course.

Rwy 28, obtain ATC approval for VCOA when requesting IFR clearance. Climb in visual conditions to cross Penn Yan Airport at or above 1900 before proceeding on course.

TAKEOFF OBSTACLE NOTES:

Rwy 1, aircraft on taxiway 35' from DER, 300' left of centerline, up to 23' AGL/942' MSL.

Tree 1051' from DER, 760' right of centerline, 943' MSL.

Rwy 10, trees 18' from DER, 245' right of centerline, 100' AGL/979' MSL.

Fence 25' from DER, on centerline, 8' AGL/907' MSL.

Berm 28' from DER, on centerline, 10' AGL/929' MSL.

Trees 43' from DER, 78' left of centerline, 100' AGL/999' MSL.

Vehicles on road 156' from DER, 6' left of centerline, 15' AGL/914' MSL.

Vehicles on road 183' from DER, 33' right of centerline, 15' AGL/914' MSL.

Buildings beginning 248' from DER, 48' left of centerline, up to 30' AGL/949' MSL.

Light poles beginning 308' from DER, 25' right of centerline, 16' AGL/927' MSL.

Tree 543' from DER, 170' left of centerline, 100' AGL/1019' MSL.

Buildings beginning 565' from DER, 94' left of centerline, 30' AGL/949' MSL.

Trees 573' from DER, 187' left of centerline, 100' AGL/1019' MSL.

Power lines 1200' from DER, crossing centerline, 40' AGL/959' MSL.

Rwy 19, aircraft on taxiway 24' from DER, 261' right of centerline, up to 23' AGL/1022' MSL.

Ground beginning 124' from DER, 479' right of centerline, up to 996' MSL.

Fence 348' from DER, 398' right of centerline, 2' AGL/1001' MSL.

Ground 460' from DER, 590' right of centerline, 1008' MSL.

Fence 483' from DER, 398' right of centerline, 3' AGL/1006' MSL.

Fence 606' from DER, 398' right of centerline, 7' AGL/1010' MSL.

Ground beginning 631' from DER, 459' right of centerline, up to 1027' MSL.

Trees beginning 1439' from DER, 673' right of centerline, up to 1087' MSL.

Trees beginning 1886' from DER, on centerline, up to 95' AGL/1110' MSL.

Tree 2238' from DER, 655' left of centerline, 1045' MSL.

Trees beginning 2242' from DER, 540' left of centerline, up to 1107' MSL.

Tree 2422' from DER, 116' left of centerline, up to 1111' MSL.

Tower 5844' from DER, 335' right of centerline, 122' AGL/1136' MSL.

Trees beginning 1.6 NM from DER, 3037' left of centerline, 100' AGL/1242' MSL.

Trees 1.7 NM from DER, 2781' left of centerline, up to 100' AGL/1265' MSL.

Trees beginning 1.8 NM from DER, 2748' left of centerline, up to 100' AGL/1291' MSL.

Trees, transmission lines beginning 1.9 NM from DER, 2939' left of centerline, up to 100' AGL/1350' MSL.

Trees, transmission lines beginning 2.0 NM from DER, 2907' left of centerline, up to 100' AGL/1396' MSL.

Trees, transmission lines beginning 2.1 NM from DER, 3098' left of centerline, up to 100' AGL/1419' MSL.

Trees, transmission lines, building beginning 2.2 NM from DER, 3065' left of centerline, up to 100' AGL/1452' MSL.

Trees beginning 2.5 NM from DER, 71' left of centerline, up to 100' AGL/1465' MSL.

Rwy 28, trees 111' from DER, 15' right of centerline, up to 100' AGL/939' MSL.

Trees 192' from DER, 59' left of centerline, up to 100' AGL/959' MSL.

Fence 16' from DER, on centerline, up to 8' AGL/867' MSL.

Vehicles on ramp 20' from DER, on centerline, up to 15' AGL/874' MSL.

Hangars and buildings 76' from DER, 63' right of centerline, up to 30' AGL/869' MSL.

02 DEC 2021 to 30 DEC 2021

02 DEC 2021 to 30 DEC 2021

TAKEOFF MINIMUMS, (OBSTACLE) DEPARTURE PROCEDURES, AND DIVERSE VECTOR AREA (RADAR VECTORS)

21336

NE-2

TAKEOFF MINIMUMS, (OBSTACLE) DEPARTURE PROCEDURES, AND DIVERSE VECTOR AREA (RADAR VECTORS)

21336

PISECO, NY

PISECO (K09)

TAKEOFF MINIMUMS AND (OBSTACLE) DEPARTURE PROCEDURES

ORIG 26JUL12 (12208) (FAA)

TAKEOFF MINIMUMS:

Rwy 4, std. w/min. climb of 539' per NM to 2800 or 600-3 w/min. climb of 316' per NM to 4500 or 2000-3 for climb in visual conditions.

Rwy 22, 1100-3 w/min. climb of 473' per NM to 3100 or 2000-3 for climb in visual conditions.

DEPARTURE PROCEDURE:

Rwy 4, climb heading 045° to 4500 before turning on course, or for climb in visual conditions cross Piseco airport at or above 3600 before proceeding on course. When executing VCOA, notify ATC prior to departure.

Rwy 22, climb heading 225° to 3500 before turning on course, or for climb in visual conditions cross Piseco airport at or above 3600 before proceeding on course. When executing VCOA, notify ATC prior to departure.

TAKEOFF OBSTACLE NOTES:

Rwy 4, trees 343' from DER, 192' right of centerline, up to 100' AGL/2244' MSL.

Rwy 1.8 NM from DER, 2104' left of centerline, up to 100' AGL/2500' MSL.

Rwy 22, trees 4152' from DER, 1433' right of centerline, up to 100' AGL/2520' MSL.

PITTSBURY, NJ

ALEXANDRIA (N85)

TAKEOFF MINIMUMS AND (OBSTACLE) DEPARTURE PROCEDURES

AMDT 3 17JUN21 (21168) (FAA)

TAKEOFF MINIMUMS:

Rwy 8, 500-2½ w/min. climb of 250' per NM to 1200 or 1200-3 for VCOA.

Rwy 31, std. w/min. climb of 390' per NM to 1300 or 1200-3 for VCOA.

DEPARTURE PROCEDURE:

Rwy 8, climb on heading 074° to 1200 before proceeding on course.

Rwy 13, climb on heading 128° to 1200 before proceeding on course.

VCOA:

Rwys 8, 31, obtain ATC approval for VCOA when requesting IFR clearance. Climb in visual conditions to cross Alexandria airport at or above 1500 before proceeding on course.

TAKEOFF OBSTACLE NOTES:

Rwy 8, tree 191' from DER, 245' right of centerline, 100' AGL/586' MSL.

Tree 400' from DER, 345' right of centerline, 100' AGL/593' MSL.

Trees beginning 531' from DER, 71' right of centerline, up to 100' AGL/599' MSL.

Tree 584' from DER, 576' left of centerline, 100' AGL/593' MSL.

Tree 662' from DER, 202' left of centerline, 100' AGL/596' MSL.

Trees beginning 740' from DER, 171' right of centerline, up to 100' AGL/606' MSL.

Trees beginning 793' from DER, 102' left of centerline, up to 100' AGL/602' MSL.

Trees beginning 949' from DER, 270' right of centerline, up to 100' AGL/612' MSL.

Trees beginning 1002' from DER, 3' left of centerline, up to 100' AGL/612' MSL.

Trees beginning 1158' from DER, 96' right of centerline, up to 100' AGL/619' MSL.

Trees beginning 1210' from DER, 277' left of centerline, up to 100' AGL/619' MSL.

Trees beginning 1419' from DER, 77' left of centerline, up to 100' AGL/625' MSL.

Trees beginning 1575' from DER, 296' right of centerline, up to 100' AGL/622' MSL.

Tree 1784' from DER, 669' right of centerline, 100' AGL/625' MSL.

Trees beginning 1837' from DER, 22' right of centerline, up to 100' AGL/629' MSL.

Trees beginning 1993' from DER, 121' right of centerline, up to 100' AGL/632' MSL.

Trees beginning 2124' from DER, 221' right of centerline, up to 100' AGL/635' MSL.

Trees beginning 2229' from DER, 52' left of centerline, up to 100' AGL/632' MSL.

Tree 2333' from DER, 595' right of centerline, 100' AGL/639' MSL.

Trees beginning 2378' from DER, 47' right of centerline, up to 100' AGL/640' MSL.

Trees beginning 2438' from DER, 326' left of centerline, up to 100' AGL/639' MSL.

Tree 2569' from DER, 974' left of centerline, 100' AGL/642' MSL.

Trees beginning 2647' from DER, 226' left of centerline, up to 100' AGL/645' MSL.

Trees beginning 2778' from DER, 500' left of centerline, up to 100' AGL/658' MSL.

Trees beginning 2909' from DER, 126' left of centerline, up to 100' AGL/681' MSL.

Trees beginning 3118' from DER, 27' left of centerline, up to 100' AGL/694' MSL.

Trees beginning 3248' from DER, 301' left of centerline, up to 100' AGL/704' MSL.

Trees beginning 3299' from DER, 72' right of centerline, up to 100' AGL/642' MSL.

Trees beginning 3457' from DER, 201' left of centerline, up to 100' AGL/711' MSL.

Tree 3508' from DER, 819' right of centerline, 100' AGL/645' MSL.

Trees beginning 3561' from DER, 172' right of centerline, up to 100' AGL/652' MSL.

Trees beginning 3666' from DER, 101' left of centerline, up to 100' AGL/721' MSL.

Trees beginning 3769' from DER, 271' right of centerline, up to 100' AGL/662' MSL.

Trees beginning 3875' from DER, 2' left of centerline, up to 100' AGL/724' MSL.

Trees beginning 3978' from DER, 38' right of centerline, up to 100' AGL/668' MSL.

Tree 4084' from DER, 923' left of centerline, 100' AGL/727' MSL.

Trees beginning 4109' from DER, 97' right of centerline, up to 100' AGL/694' MSL.

Trees beginning 4137' from DER, 176' left of centerline, up to 100' AGL/734' MSL.

Trees beginning 4318' from DER, 197' right of centerline, up to 100' AGL/698' MSL.

Trees beginning 4345' from DER, 76' left of centerline, up to 100' AGL/750' MSL.

Trees beginning 4554' from DER, 350' left of centerline, up to 100' AGL/763' MSL.

CONT

02 DEC 2021 to 30 DEC 2021

02 DEC 2021 to 30 DEC 2021

TAKEOFF MINIMUMS, (OBSTACLE) DEPARTURE PROCEDURES, AND DIVERSE VECTOR AREA (RADAR VECTORS)

21336

NE-2

TAKEOFF MINIMUMS, (OBSTACLE) DEPARTURE PROCEDURES, AND DIVERSE VECTOR AREA (RADAR VECTORS)

21336

PITSTOWN, NJ (CON'T) ALEXANDRIA (N85) (CON'T)

Rwy 8 (CON'T), trees beginning 4658' from DER, 23' right of centerline, up to 100' AGL/717' MSL.

Trees beginning 4685' from DER, 624' left of centerline, up to 100' AGL/770' MSL.

Trees beginning 4763' from DER, 250' left of centerline, up to 100' AGL/776' MSL.

Trees beginning 4894' from DER, 524' left of centerline, up to 100' AGL/786' MSL.

Trees beginning 4972' from DER, 151' left of centerline, up to 100' AGL/789' MSL.

Trees beginning 5025' from DER, 798' left of centerline, up to 100' AGL/793' MSL.

Trees beginning 5103' from DER, 51' left of centerline, up to 100' AGL/799' MSL.

Trees beginning 5234' from DER, 699' left of centerline, up to 100' AGL/803' MSL.

Trees beginning 5312' from DER, 325' left of centerline, up to 100' AGL/809' MSL.

Trees beginning 5442' from DER, 225' left of centerline, up to 100' AGL/812' MSL.

Trees beginning 5651' from DER, 126' left of centerline, up to 100' AGL/822' MSL.

Trees beginning 5782' from DER, 400' left of centerline, up to 100' AGL/826' MSL.

Trees beginning 5833' from DER, 247' right of centerline, up to 100' AGL/721' MSL.

Trees beginning 5913' from DER, 1' left of centerline, up to 100' AGL/855' MSL.

Trees beginning 1 NM from DER, 73' right of centerline, up to 100' AGL/727' MSL.

Trees beginning 1.1 NM from DER, 275' left of centerline, up to 100' AGL/862' MSL.

Trees beginning 1.1 NM from DER, 98' right of centerline, up to 100' AGL/730' MSL.

Trees beginning 1.1 NM from DER, 175' left of centerline, up to 100' AGL/868' MSL.

Trees beginning 1.1 NM from DER, 198' right of centerline, up to 100' AGL/740' MSL.

Trees beginning 1.1 NM from DER, 75' left of centerline, up to 100' AGL/878' MSL.

Trees beginning 1.2 nm from DER, 25' left of centerline, up to 100' AGL/888' MSL.

Trees beginning 1.2 NM from DER, 23' right of centerline, up to 100' AGL/744' MSL.

Trees beginning 1.6 NM from DER, 298' right of centerline, up to 200' AGL/758' MSL.

Tree 1.6 nm from DER, 24' right of centerline, 200' AGL/768' MSL.

Tree 1.7 NM from DER, 397' right of centerline, up to 200' AGL/771' MSL.

Trees beginning 1.7 NM from DER, 523' left of centerline, up to 200' AGL/906' MSL.

Trees beginning 1.7 NM from DER, 123' right of centerline, up to 200' AGL/788' MSL.

Trees beginning 1.7 NM from DER, 150' left of centerline, up to 200' AGL/919' MSL.

Trees beginning 1.7 NM from DER, 223' right of centerline, up to 200' AGL/801' MSL.

Trees beginning 1.7 NM from DER, 50' left of centerline, up to 200' AGL/922' MSL.

Trees beginning 1.7 NM from DER, 324' left of centerline, up to 200' AGL/939' MSL.

Trees beginning 1.7 NM from DER, 323' right of centerline, up to 200' AGL/814' MSL.

Trees beginning 1.8 NM from DER, 49' right of centerline, up to 200' AGL/821' MSL.

Trees beginning 1.8 NM from DER, 25' left of centerline, up to 200' AGL/955' MSL.

Tree 2.1 NM from DER, 2666' left of centerline, 200' AGL/821' MSL.

Rwy 13, tree 157' from DER, 369' right of centerline, 100' AGL/559' MSL.

Tree 320' from DER, 429' left of centerline, 100' AGL/579' MSL.

Tree 840' from DER, 521' left of centerline, 100' AGL/599' MSL.

Rwy 26, tree 26' from DER, 403' right of centerline, 100' AGL/527' MSL.

Trees beginning 79' from DER, 144' left of centerline, up to 100' AGL/553' MSL.

Trees beginning 157' from DER, 129' right of centerline, up to 100' AGL/534' MSL.

Trees beginning 429' from DER, 55' right of centerline, up to 100' AGL/539' MSL.

Trees beginning 455' from DER, 18' left of centerline, up to 100' AGL/559' MSL.

Rwy 31, tree 899' from DER, 648' right of centerline, 100' AGL/519' MSL.

Tree 974' from DER, 45' left of centerline, 100' AGL/519' MSL.

Tree 2044' from DER, 194' right of centerline, 100' AGL/539' MSL.

Tree 2064' from DER, 492' right of centerline, 100' AGL/559' MSL.

Trees beginning 2538' from DER, 624' right of centerline, up to 100' AGL/579' MSL.

Tree 4592' from DER, 1019' right of centerline, 100' AGL/599' MSL.

Tree 1 NM from DER, 2105' right of centerline, 100' AGL/619' MSL.

Tree 1.1 NM from DER, 2259' right of centerline, 100' AGL/639' MSL.

Tree 1.6 NM from DER, 890' right of centerline, 200' AGL/699' MSL.

SKY MANOR (N40)

TAKEOFF MINIMUMS AND (OBSTACLE) DEPARTURE PROCEDURES

AMDT 2 31MAY12 (12152) (FAA)

TAKEOFF OBSTACLE NOTES:

Rwy 7, vehicles on roadway beginning 38' from DER, 283' left of centerline, up to 15' AGL/574' MSL.

Power lines beginning 2008' from DER, left and right of centerline, up to 122' AGL/652' MSL.

Trees beginning 2550' from DER, 756' left of centerline, up to 100' AGL/657' MSL.

Trees beginning 4763' from DER, 1716' right of centerline, up to 100' AGL/699' MSL.

Rwy 25, vehicles on roadway beginning 51' from DER, 375' left of centerline, up to 15' AGL/574' MSL.

Trees beginning 1965' from DER, 139' right of centerline, up to 100' AGL/679' MSL.

Trees beginning 2261' from DER, 961' left of centerline, up to 100' AGL/659' MSL.

TAKEOFF MINIMUMS, (OBSTACLE) DEPARTURE PROCEDURES, AND DIVERSE VECTOR AREA (RADAR VECTORS)

21336

NE-2

02 DEC 2021 to 30 DEC 2021

02 DEC 2021 to 30 DEC 2021

TAKEOFF MINIMUMS, (OBSTACLE) DEPARTURE PROCEDURES, AND DIVERSE VECTOR AREA (RADAR VECTORS)

21336

PLATTSBURGH, NY

PLATTSBURGH INTL (PBG)

TAKEOFF MINIMUMS AND (OBSTACLE) DEPARTURE PROCEDURES

DEPARTURE PROCEDURE:

Rwy 17, climb heading 172° to 2500 before turning on course.

Rwy 35, climb heading 352° to 2800 before turning on course.

TAKEOFF OBSTACLE NOTES:

Rwy 17, tree 1844' from DER, 966' right of centerline, 87' AGL/237' MSL.

Tree 2289' from DER, 937' left of centerline, 75' AGL/222' MSL.

Rwy 35, numerous trees beginning 1602' from DER, 501' left of centerline, up to 63' AGL/293' MSL.

Tree, 2270' from DER, 944' left of centerline, 104' AGL/334' MSL.

Tree 2035' from DER, 1014' right of centerline, 107' AGL/307' MSL.

POTSDAM, NY

POTSDAM MUNI/DAMON FLD (PTD)

TAKEOFF MINIMUMS AND (OBSTACLE) DEPARTURE PROCEDURES

ORIG 22OCT09 (09295) (FAA)

TAKEOFF OBSTACLE NOTES:

Rwy 6, trees beginning 229' from DER, 122' right of centerline, up to 100' AGL/569' MSL.

Trees beginning 926' from DER, 322' left of centerline, up to 100' AGL/579' MSL.

Rwy 24, trees beginning 776' from DER, 370' right of centerline, up to 100' AGL/559' MSL.

Building 549' from DER, 395' left of centerline, 40' AGL/509' MSL.

Tree 846' from DER, 471' left of centerline, 100' AGL/559' MSL.

POUGHKEEPSIE, NY

HUDSON VALLEY RGNL (POU)

TAKEOFF MINIMUMS AND (OBSTACLE) DEPARTURE PROCEDURES

AMDT 2A 22JUN17 (17173) (FAA)

TAKEOFF MINIMUMS:

Rwys 7, 25, NA - VFR only.

Rwy 6, 500-3 w/min. climb of 250' per NM to 1000 or std. w/min. climb of 537' per NM to 800 or 1700-2½ for climb in visual conditions.

Rwy 15, 400-2½ or std. w/min. climb of 370' per NM to 700.

Rwy 33, 300-1½ or std. w/min. climb of 270' per NM to 500.

DEPARTURE PROCEDURE:

Rwy 6, climb heading 063° to 2000 before proceeding on course.

Rwy 15, climbing left turn direct IGN VOR/DME to 1400 before proceeding on course.

Rwy 24, climb heading 243° to 1800 before proceeding on course.

Rwy 33, climbing right turn direct IGN VOR/DME then on IGN R-070 to 2200 before proceeding on course.

VCOA:

Rwy 6, obtain ATC approval for VCOA when requesting IFR clearance. Climb in visual conditions to cross Hudson Valley Rgnl Airport at or above 1700 before proceeding on course.

TAKEOFF OBSTACLE NOTES:

Rwy 6, terrain and fences beginning 92' from DER, 64' right of centerline, up to 9' AGL/166' MSL.

Fences beginning 372' from DER, 78' left of centerline, up to 9' AGL/168' MSL.

Poles, trees, tower, and antenna beginning 185' from DER, 384' right of centerline, up to 101' AGL/262' MSL.

Trees beginning 949' from DER, 86' right of centerline, up to 70' AGL/229' MSL.

Terrain and trees beginning 861' from DER, 395' left of centerline, up to 81' AGL/228' MSL.

Pole and trees beginning 2419' from DER, 6' left of centerline, up to 97' AGL/306' MSL.

Pole, building, and trees beginning 2795' from DER, 16' right of centerline, up to 97' AGL/306' MSL.

Trees 2754' from DER, 1232' left of centerline, up to 77' AGL/346' MSL.

Transmission tower 2.5 NM from DER, 602' left of centerline, 132' AGL/604' MSL.

Trees 2.6 NM from DER, 1482' left of centerline, up to 76' AGL/557' MSL.

Rwy 15, sign, buildings, poles, and trees beginning 47' from DER, 86' left of centerline, up to 25' AGL/187' MSL.

Fence, pole, buildings, and trees beginning 301' from DER, 85' right of centerline, up to 55' AGL/214' MSL.

Buildings and trees beginning 107' from DER, 369' right of centerline, up to 65' AGL/224' MSL.

Antenna, poles, buildings, and trees beginning 594' from DER, 29' left of centerline, up to 76' AGL/275' MSL.

Poles, buildings, and trees beginning 528' from DER, 19' right of centerline, up to 80' AGL/288' MSL.

Poles and trees beginning 2687' from DER, 1' left of centerline, up to 56' AGL/315' MSL.

Poles, buildings, and trees beginning 3493' from DER, 10' right of centerline, up to 86' AGL/315' MSL.

Trees 3393' from DER, 1153' right of centerline, up to 83' AGL/322' MSL.

Trees 1.6 NM from DER, 1787' left of centerline, up to 95' AGL/534' MSL.

Trees 1.8 NM from DER, 3119' right of centerline, up to 46' AGL/455' MSL.

Rwy 33, sign 12' from DER, 85' right of centerline, 2' AGL/157' MSL.

Pole, buildings, and trees beginning 100' from DER, 316' left of centerline, up to 80' AGL/229' MSL.

Trees beginning 255' from DER, 241' right of centerline, up to 74' AGL/233' MSL.

Trees beginning 606' from DER, 1' left of centerline, up to 102' AGL/221' MSL.

Trees beginning 686' from centerline, 5' right of centerline, up to 111' AGL/230' MSL.

Trees beginning 1598' from DER, 15' left of centerline, up to 98' AGL/307' MSL.

Trees beginning 1632' from DER, 18' right of centerline, up to 114' AGL/295' MSL.

Trees 4824' from DER, 1742' left of centerline, up to 81' AGL/320' MSL.

Tank 1.1 NM from DER, 37' left of centerline, 105' AGL/360' MSL.

Trees 1.2 NM from DER, 2094' right of centerline, up to 96' AGL/345' MSL.

CON'T

TAKEOFF MINIMUMS, (OBSTACLE) DEPARTURE PROCEDURES, AND DIVERSE VECTOR AREA (RADAR VECTORS)

21336

NE-2

TAKEOFF MINIMUMS, (OBSTACLE) DEPARTURE PROCEDURES, AND DIVERSE VECTOR AREA (RADAR VECTORS)

21336

POUGHKEEPSIE, NY (CON'T)

HUDSON VALLEY RGNL (POU) (CON'T)

Rwy 24, vehicles on road and trees beginning 7' from DER, 280' left of centerline, up to 54' AGL/154' MSL.
Trees beginning 71' from DER, 180' right of centerline, up to 77' AGL/182' MSL.
Trees beginning 706' from DER, 487' left of centerline, up to 78' AGL/227' MSL.
Trees beginning 661' from DER, 318' right of centerline, up to 130' AGL/230' MSL.
Trees beginning 2072' from DER, 48' left of centerline, up to 112' AGL/265' MSL.
Trees beginning 1936' from DER, 42' right of centerline, up to 137' AGL/270' MSL.

PRINCETON/ROCKY HILL, NJ

PRINCETON (39N)

TAKEOFF MINIMUMS AND (OBSTACLE) DEPARTURE PROCEDURES

AMDT 3 29MAY14 (14149) (FAA)

TAKEOFF MINIMUMS:

Rwy 10, 400-2¼ or std. w/min. climb of 310' per NM to 700.

DEPARTURE PROCEDURE:

Rwy 10, climb heading 102° to 800 before turning left.

TAKEOFF OBSTACLE NOTES:

Rwy 10, trees beginning 35' from DER, 300' left of centerline, up to 21' AGL/159' MSL.
Vehicles on road, buildings, signs, poles, transmission line tower and trees beginning 389' from DER, 3' left of centerline, up to 34' AGL/223' MSL.
Tanks and trees beginning 1463' from DER, 19' left of centerline, up to 130' AGL/270' MSL.
Towers and trees beginning 1.5 NM from DER, 938' left of centerline, up to 208' AGL/496' MSL.
Vehicles on road, building, poles and trees beginning 277' from DER, 16' right of centerline, up to 23' AGL/151' MSL.
Vehicles on road, buildings, poles and trees beginning 491' from DER, 6' right of centerline, up to 36' AGL/180' MSL.
Tree 1.6 NM from DER, 7' right of centerline, 88' AGL/368' MSL.
Rwy 28, vehicles on road and trees beginning 86' from DER, 104' right of centerline, up to 27' AGL/140' MSL.
Trees 315' from DER, 506' right of centerline, 43' AGL/160' MSL.
Trees and building beginning 17' from DER, 248' left of centerline, up to 25' AGL/139' MSL.
Trees beginning 560' from DER, 73' left of centerline, up to 91' AGL/203' MSL.

READINGTON, NJ

SOLBERG-HUNTERDON (N51)

TAKEOFF MINIMUMS AND (OBSTACLE) DEPARTURE PROCEDURES

AMDT 1 30JUL09 (09211) (FAA)

TAKEOFF MINIMUMS:

Rwy 31, std. w/min. climb of 405' per NM to 1400 or 1300-2½ for climb in visual conditions.

DEPARTURE PROCEDURE:

Rwy 31, for climb in visual conditions; cross Solberg-Hunterdon airport at or above 1300 before proceeding on course.

TAKEOFF OBSTACLE NOTES:

Rwy 4, tree 907' from DER, 712' left of centerline, 100' AGL/279' MSL.
Trees beginning 431' from DER, 82' right of centerline, up to 100' AGL/279' MSL.
Rwy 13, tree 47' from DER, 453' left of centerline, 100' AGL/279' MSL.
Tree 88' from DER, 178' right of centerline, 100' AGL/279' MSL.
Rwy 22, tree 185' from DER, 350' left of centerline, 100' AGL/299' MSL.
Trees beginning 103' from DER, 95' right of centerline, up to 100' AGL/299' MSL.
Rwy 31, trees beginning 372' from DER, 40' left of centerline, up to 100' AGL/378' MSL.
Tree 257' from DER, 441' right of centerline, 100' AGL/299' MSL.

ROBBINSVILLE, NJ

TRENTON-ROBBINSVILLE (N87)

TAKEOFF MINIMUMS AND (OBSTACLE) DEPARTURE PROCEDURES

AMDT 2A 15OCT15 (15288) (FAA)

TAKEOFF MINIMUMS:

Rwy 29, 300-1 or std. w/min. climb of 421' per NM to 800.

DEPARTURE PROCEDURE:

Rwy 29, climb heading 289° to 800 before turning right.

TAKEOFF OBSTACLE NOTES:

Rwy 11, trees beginning 39' from DER, 267' right of centerline, up to 87' AGL/198' MSL.
Vehicles on roadway beginning 49' from DER, left and right of centerline, up to 17' AGL/132' MSL.
Trees beginning 105' from DER, left and right of centerline, up to 90' AGL/202' MSL.
Building 789' from DER, 521' left of centerline, 32' AGL/148' MSL.
Trees beginning 834' from DER, left and right of centerline, up to 120' AGL/259' MSL.
Tower 4577' from DER, 1402' right of centerline, 116' AGL/256' MSL.
Rwy 29, rising terrain, vehicles on roadway and trees beginning 37' from DER, 22' left of centerline, up to 77' AGL/198' MSL.
Vehicles on roadway, poles and trees beginning 50' from DER, 5' right of centerline, up to 68' AGL/187' MSL.
Rising terrain, poles and trees beginning 757' from DER, 20' right of centerline, up to 97' AGL/230' MSL.
Rising terrain, buildings, poles and trees beginning 761' from DER, 12' left of centerline, up to 105' AGL/230' MSL.
Towers beginning 4909' from DER, 589' right of centerline, up to 167' AGL/297' MSL.

TAKEOFF MINIMUMS, (OBSTACLE) DEPARTURE PROCEDURES, AND DIVERSE VECTOR AREA (RADAR VECTORS)

21336

NE-2

TAKEOFF MINIMUMS, (OBSTACLE) DEPARTURE PROCEDURES, AND DIVERSE VECTOR AREA (RADAR VECTORS)

21336

ROCHESTER, NY

FREDERICK DOUGLASS/GREATER ROCHESTER INTL (ROC)

TAKEOFF MINIMUMS AND (OBSTACLE) DEPARTURE PROCEDURES

AMDT 8 03APR14 (21336) (FAA)

TAKEOFF MINIMUMS:

Rwy 7, 300-1¾ or std. w/min. climb of 206' per NM to 900, or alternatively, with standard takeoff minimums and a normal 200' per NM climb gradient, takeoff must occur no later than 1300' prior to DER.

Rwy 10, std. w/min. climb of 250' per NM to 900 or 1000-2½ for climb in visual conditions.

Rwy 22, 400-2¾ or std. w/min. climb of 240' per NM to 1100.

DEPARTURE PROCEDURE:

Rwy 4, climb heading 044° to 1200 before turning left.

Rwy 10, for climb in visual conditions, cross Frederick Douglass/Greater Rochester Intl airport at or above 1400 before proceeding on course. When executing VCOA, notify ATC prior to departure.

TAKEOFF OBSTACLE NOTES:

Rwy 4, tree 2081' from DER, 532' left of centerline, 53' AGL/612' MSL.

Tree 3890' from DER, 1119' right of centerline, 100' AGL/659' MSL.

Tower 1806' from DER, 817' right of centerline, 60' AGL/611' MSL.

Rwy 7, dome 1.4 NM from DER, 1164' right of centerline, 213' AGL/756' MSL.

Trees beginning 2732' from DER, 426' left of centerline, up to 93' AGL/622' MSL.

Rwy 10, dome 1.1 NM from DER, 1543' left of centerline, 213' AGL/756' MSL.

Trees beginning 743' from DER, 248' left of centerline, up to 100' AGL/636' MSL.

Tree beginning 2676' from DER, 112' right of centerline, up to 85' AGL/616' MSL.

Pole 950' from DER, 655' right of centerline, 41' AGL/570' MSL.

Rwy 22, tower 2.2 NM from DER, 3550' right of centerline, 412' AGL/934' MSL.

Tree 1997' from DER, 832' right of centerline, up to 63' AGL/587' MSL.

Tree 3026' from DER, 935' left of centerline, 105' AGL/621' MSL.

Rwy 25, transmission line tower 1523' from DER, 819' left of centerline, 61' AGL/592' MSL.

Poles beginning 1655' from DER, 330' left of centerline, up to 82' AGL/617' MSL.

Rwy 28, railroad beginning 326' from DER, 539' right of centerline, 23' AGL/574' MSL.

Transmission line towers beginning 1239' from DER, 253' left of centerline, up to 75' AGL/614' MSL.

Trees beginning 807' from DER, 148' left of centerline, up to 87' AGL/626' MSL.

Trees beginning 887' from DER, 113' right of centerline, up to 91' AGL/632' MSL.

ROME, NY

GRIFFISS INTL (RME)

TAKEOFF MINIMUMS AND (OBSTACLE) DEPARTURE PROCEDURES

AMDT 1A 03JAN19 (19003) (FAA)

DEPARTURE PROCEDURE:

Rwy 15, climb heading 147° to 1000 before turning left.

Rwy 33, climb heading 327° to 1500 before turning right.

TAKEOFF OBSTACLE NOTES:

Rwy 15, pole 9' from DER, 4' right of centerline, 1' AGL/499' MSL.

Tree 1991' from DER, 966' left of centerline, 573' MSL.

Trees beginning 2068' from DER, 934' left of centerline, up to 587' MSL.

Trees beginning 2223' from DER, 358' left of centerline, up to 591' MSL.

Tree 5558' from DER, 1957' left of centerline, 640' MSL.

Rwy 33, NAVAID 39' from DER, 260' right of centerline, 4' AGL/505' MSL.

Tree 2860' from DER, 1140' right of centerline, 580' MSL.

Tree 3002' from DER, 1266' right of centerline, 588' MSL.

SARANAC LAKE, NY

ADIRONDACK RGNL (SLK)

TAKEOFF MINIMUMS AND (OBSTACLE) DEPARTURE PROCEDURES

AMDT 8 21JUN18 (18172) (FAA)

TAKEOFF MINIMUMS:

Rwy 5, std. w/ min. climb of 345' per NM to 5000 or 2500 - 3 for VCOA.

Rwy 9, std. w/ min. climb of 500' per NM to 5000 or 2500 - 3 for VCOA.

Rwy 23, std. w/ min. climb of 316' per NM to 4800 or 2500 - 3 for VCOA.

DEPARTURE PROCEDURE:

Rwy 5, climb heading 049° to 4000 before proceeding on course.

Rwy 9, climb heading 072° to 5000 before proceeding on course.

Rwy 23, climb heading 229° to 3000 before proceeding on course.

Rwy 27, climb heading 273° to 3100 before proceeding on course.

VCOA:

Rwy 5, 9, 23, obtain ATC approval for VCOA when requesting IFR clearance. Climb in visual conditions to cross Adirondack Regional airport at or above 4000, before proceeding on course.

TAKEOFF OBSTACLE NOTES:

Rwy 5, traverse way 177' from DER, 20' left of centerline, 1673' MSL.

Tree 1421' from DER, 856' right of centerline, 41' AGL/1703' MSL.

Tree 1549' from DER, 854' right of centerline, 1712' MSL.

Trees beginning 1594' from DER, 888' left of centerline, up to 72' AGL/1735' MSL.

Trees beginning 1655' from DER, 914' right of centerline, up to 1725' MSL.

Tree 1778' from DER, 960' right of centerline, 1729' MSL.

CON'T

TAKEOFF MINIMUMS, (OBSTACLE) DEPARTURE PROCEDURES, AND DIVERSE VECTOR AREA (RADAR VECTORS)

21336

NE-2

TAKEOFF MINIMUMS, (OBSTACLE) DEPARTURE PROCEDURES, AND DIVERSE VECTOR AREA (RADAR VECTORS)

21336

SARANAC LAKE, NY (CON'T)

ADIRONDACK RGNL (SLK) (CON'T)

Rwy 5 (CON'T), trees beginning 2417' from DER, 916' left of centerline, up to 1741' MSL.

Tree 2761' from DER, 1235' right of centerline, 1734' MSL.

Trees beginning 2772' from DER, 46' left of centerline, up to 1750' MSL.

Trees beginning 2820' from DER, 267' right of centerline, up to 1735' MSL.

Trees beginning 3104' from DER, 106' left of centerline, up to 1754' MSL.

Tree 3176' from DER, 54' right of centerline, 1747' MSL.

Trees beginning 3234' from DER, 789' left of centerline, up to 1756' MSL.

Tree 3344' from DER, 34' right of centerline, 1751' MSL.

Rwy 9, terrain 61' from DER, 421' left of centerline, 1643' MSL.

Tree 100' from DER, 341' left of centerline, 31' AGL/1662' MSL.

Tree, vegetation beginning 175' from DER, 240' left of centerline, up to 1663' MSL.

Vegetation 247' from DER, 297' right of centerline, 25' AGL/1649' MSL.

Trees beginning 421' from DER, 433' left of centerline, up to 58' AGL/1698' MSL.

Trees beginning 637' from DER, 396' right of centerline, up to 1680' MSL.

Trees beginning 684' from DER, 427' left of centerline, up to 1699' MSL.

Trees beginning 690' from DER, 381' right of centerline, up to 1681' MSL.

Trees beginning 784' from DER, 453' right of centerline, up to 1684' MSL.

Trees beginning 997' from DER, 86' right of centerline, up to 51' AGL/1678' MSL.

Trees beginning 1031' from DER, 52' left of centerline, up to 1693' MSL.

Tree 1459' from DER, 0' of centerline, 1692' MSL.

Trees beginning 1491' from DER, 28' right of centerline, up to 1684' MSL.

Trees beginning 1813' from DER, 25' right of centerline, up to 1691' MSL.

Trees beginning 2007' from DER, 24' left of centerline, up to 1697' MSL.

Trees beginning 2100' from DER, 16' right of centerline, up to 1698' MSL.

Trees beginning 3006' from DER, 45' right of centerline, up to 1750' MSL.

Trees beginning 3149' from DER, 45' left of centerline, up to 1734' MSL.

Trees beginning 4011' from DER, 41' left of centerline, up to 1768' MSL.

Tree, tower beginning 5018' from DER, 21' right of centerline, up to 89' AGL/1868' MSL.

Trees beginning 5150' from DER, 7' left of centerline, up to 1856' MSL.

Trees beginning 1 NM from DER, 12' right of centerline, up to 1895' MSL.

Trees beginning 1.3 NM from DER, 108' left of centerline, up to 1875' MSL.

Trees beginning 1.3 NM from DER, 742' right of centerline, up to 2159' MSL.

Tower, tree beginning 1.3 NM from DER, 674' right of centerline, up to 140' AGL/2210' MSL.

Tree, tower, pole beginning 1.4 nm from DER, 318' left of centerline, up to 1891' MSL.

Tree 1.8 NM from DER, 3112' left of centerline, 1924' MSL.

Rwy 23, tree 93' from DER, 498' right of centerline, 1656' MSL.

Tree 341' from DER, 538' right of centerline, 1667' MSL.

Tree 517' from DER, 511' right of centerline, 1669' MSL.

Trees beginning 666' from DER, 532' left of centerline, up to 1665' MSL.

Tree 810' from DER, 448' right of centerline, 1672' MSL.

Tree 848' from DER, 592' right of centerline, 1674' MSL.

Tree 951' from DER, 687' left of centerline, 1679' MSL.

Tree 1072' from DER, 683' right of centerline, 1676' MSL.

Trees beginning 1074' from DER, 188' right of centerline, up to 1682' MSL.

Trees beginning 1096' from DER, 290' left of centerline, up to 1686' MSL.

Tree 1210' from DER, 738' left of centerline, 1703' MSL.

Tree 1292' from DER, 407' right of centerline, 1685' MSL.

Tree 1305' from DER, 617' left of centerline, 86' AGL/1710' MSL.

Tree 1308' from DER, 460' left of centerline, 1711' MSL.

Tree 1313' from DER, 569' left of centerline, 1713' MSL.

Trees beginning 1343' from DER, 63' left of centerline, up to 96' AGL/1720' MSL.

Trees beginning 1451' from DER, 69' right of centerline, up to 1698' MSL.

Trees beginning 1515' from DER, 52' left of centerline, up to 1722' MSL.

Trees beginning 1660' from DER, 421' right of centerline, up to 1704' MSL.

Trees beginning 1846' from DER, 21' right of centerline, up to 1706' MSL.

Trees beginning 1954' from DER, 50' right of centerline, up to 87' AGL/1711' MSL.

Tree 2151' from DER, 340' left of centerline, 1742' MSL.

Trees beginning 2160' from DER, 116' right of centerline, up to 1716' MSL.

Trees beginning 2228' from DER, 253' right of centerline, up to 1718' MSL.

Trees beginning 2255' from DER, 17' left of centerline, up to 1745' MSL.

Trees beginning 2274' from DER, 304' right of centerline, up to 1719' MSL.

Trees beginning 2620' from DER, 138' right of centerline, up to 1720' MSL.

Trees beginning 2754' from DER, 290' right of centerline, up to 1728' MSL.

Rwy 27, tree, vegetation beginning 109' from DER, 249' right of centerline, up to 1677' MSL.

Trees beginning 256' from DER, 14' right of centerline, up to 1680' MSL.

Trees beginning 532' from DER, 35' right of centerline, up to 78' AGL/1710' MSL.

Tree 600' from DER, 128' left of centerline, 1669' MSL.

Trees beginning 749' from DER, 6' right of centerline, up to 1729' MSL.

Tree 766' from DER, 377' left of centerline, 1672' MSL.

Trees beginning 894' from DER, 203' left of centerline, up to 1674' MSL.

Trees beginning 1083' from DER, 392' left of centerline, up to 1685' MSL.

Trees beginning 1455' from DER, 117' left of centerline, up to 64' AGL/1691' MSL.

Trees beginning 1752' from DER, 422' left of centerline, up to 80' AGL/1704' MSL.

CON'T

02 DEC 2021 to 30 DEC 2021

02 DEC 2021 to 30 DEC 2021

TAKEOFF MINIMUMS, (OBSTACLE) DEPARTURE PROCEDURES, AND DIVERSE VECTOR AREA (RADAR VECTORS)

21336

NE-2

TAKEOFF MINIMUMS, (OBSTACLE) DEPARTURE PROCEDURES, AND DIVERSE VECTOR AREA (RADAR VECTORS)

21336

SARANAC LAKE, NY (CON'T)

ADIRONDACK RGNL (SLK) (CON'T)

Rwy 27 (CON'T), trees beginning 1905' from DER, 21' left of centerline, up to 1718' MSL.
Trees beginning 2076' from DER, 18' right of centerline, up to 1733' MSL.
Trees beginning 2257' from DER, 116' left of centerline, up to 1719' MSL.
Trees beginning 2543' from DER, 151' left of centerline, up to 1721' MSL.
Trees beginning 2554' from DER, 103' right of centerline, up to 1746' MSL.
Trees beginning 3111' from DER, 454' right of centerline, up to 1751' MSL.
Trees beginning 3378' from DER, 672' right of centerline, up to 1756' MSL.
Tree 3889' from DER, 356' left of centerline, 1740' MSL.

SARATOGA SPRINGS, NY

SARATOGA COUNTY (5B2)

TAKEOFF MINIMUMS AND (OBSTACLE) DEPARTURE PROCEDURES

AMDT 4 02MAY13 (13122) (FAA)

TAKEOFF MINIMUMS:

Rwy 32, std. w/ min. climb of 320' per NM to 2700 or 1500-2½ for climb in visual conditions.

DEPARTURE PROCEDURE:

Rwy 5, climb heading 053° to 1600 before proceeding on course.

Rwy 14, climb heading 143° to 1100 before proceeding on course.

Rwy 23, climb heading 233° to 1100 before proceeding on course.

Rwy 32, for climb in visual conditions, cross Saratoga County Airport at or above 1800 before proceeding on course.

TAKEOFF OBSTACLE NOTES:

Rwy 5, trees beginning 111' from DER, 521' left of centerline, up to 100' AGL/529' MSL.

Trees beginning 138' from DER, 508' right of centerline, up to 100' AGL/539' MSL.

Trees beginning 1112' from DER, 571' right of centerline, up to 86' AGL/506' MSL.

Trees beginning 1232' from DER, 572' left of centerline, up to 60' AGL/489' MSL.

Rwy 14, trees beginning 40' from DER, left and right of centerline, up to 100' AGL/529' MSL.

Vehicles on road beginning 69' from DER, left and right of centerline, up to 15' AGL/442' MSL.

Poles beginning 533' from DER, left and right of centerline, up to 41' AGL/461' MSL.

Buildings beginning 624' from DER, left and right of centerline, up to 51' AGL/459' MSL.

Flag pole, 774' from DER, 471' left of centerline, 51' AGL/477' MSL.

Power transmission lines beginning 1178' from DER, left and right of centerline, up to 42' AGL/474' MSL.

Rwy 23, trees beginning 197' from DER, 426' right of centerline, up to 100' AGL/530' MSL.

Trees beginning 885' from DER, 692' left of centerline, up to 100' AGL/539' MSL.

Trees beginning 1002' from DER, 528' left of centerline, up to 100' AGL/530' MSL.

Trees beginning 1182' from DER, 576' right of centerline, up to 100' AGL/530' MSL.

Rwy 32, bushes and trees beginning 7' from DER, left and right of centerline, up to 58' AGL/528' MSL.

Building 1158' from DER, 127' left of centerline, up to 41' AGL/461' MSL.

Trees beginning 3062' from DER, left and right of centerline, up to 100' AGL/516' MSL.

Power transmission towers beginning 10146' from DER, 2895' right of centerline, up to 151' AGL/700' MSL.

SCHENECTADY, NY

SCHENECTADY COUNTY (SCH)

TAKEOFF MINIMUMS AND (OBSTACLE) DEPARTURE PROCEDURES

AMDT 6 25APR19 (19115) (FAA)

TAKEOFF MINIMUMS:

Rwy 28, std. w/min. climb of 288' per NM to 1900, or 1200-2½ for VCOA.

DEPARTURE PROCEDURE:

Rwy 22, climb on heading 235° to 1300 before turning right.

VCOA:

Rwy 28, obtain ATC approval for VCOA when requesting IFR clearance. Climb in visual conditions to cross

Schenectady County airport at or above 1400 before proceeding on course.

TAKEOFF OBSTACLE NOTES:

Rwy 4, vegetation 101' from DER, 498' left of centerline, 2' AGL/401' MSL.

Tank, vegetation, tree beginning 133' from DER, 191' left of centerline, up to 130' AGL/505' MSL.

Trees beginning 1053' from DER, 481' right of centerline, up to 100' AGL/433' MSL.

Tree 1257' from DER, 559' right of centerline, 100' AGL/433' MSL.

Trees beginning 1725' from DER, on centerline and 530' right of centerline, up to 84' AGL/436' MSL.

Rwy 10, pole 2' from DER, 81' left of centerline, 322' MSL.

Pole 3' from DER, 78' right of centerline, 321' MSL.

Trees beginning 41' from DER, 259' right of centerline, up to 343' MSL.

Tree 57' from DER, 410' left of centerline, 332' MSL.

Tree, fence beginning 68' from DER, 431' left of centerline, up to 33' AGL/352' MSL.

Tree, building beginning 807' from DER, 218' left of centerline, up to 357' MSL.

Tree 1015' from DER, 712' left of centerline, 358' MSL.

Buildings beginning 1019' from DER, 574' left of centerline, up to 57' AGL/366' MSL.

Trees beginning 1176' from DER, 400' left of centerline, up to 369' MSL.

Rwy 22, trees beginning 486' from DER, 789' right of centerline, up to 101' AGL/413' MSL.

Tree 1156' from DER, 292' left of centerline, 59' AGL/349' MSL.

Tree 1215' from DER, 679' left of centerline, 80' AGL/366' MSL.

Tree 2187' from DER, 850' right of centerline, 104' AGL/403' MSL.

CON'T



TAKEOFF MINIMUMS, (OBSTACLE) DEPARTURE PROCEDURES, AND DIVERSE VECTOR AREA (RADAR VECTORS)

21336



NE-2

TAKEOFF MINIMUMS, (OBSTACLE) DEPARTURE PROCEDURES, AND DIVERSE VECTOR AREA (RADAR VECTORS)

21336

SCHENECTADY, NY (CON'T)

SCHENECTADY COUNTY (SCH) (CON'T)

Rwy 28, tree 3' from DER, 460' left of centerline, 92' AGL/410' MSL.

Trees, poles, buildings, traverse way beginning 18' from DER, 430' left and 53' right of centerline, up to 420' MSL.

Trees beginning 1484' from DER, 250' right of centerline, up to 94' AGL/415' MSL.

Trees beginning 1496' from DER, 3' right of centerline, up to 422' MSL.

Trees beginning 3699' from DER, 670' right of centerline, up to 461' MSL.

Tree 5450' from DER, 1958' right of centerline, up to 466' MSL.

Tree 5763' from DER, 2004' right of centerline, up to 100' AGL/471' MSL.

SENECA FALLS, NY

FINGER LAKES RGNL (0G7)

TAKEOFF MINIMUMS AND (OBSTACLE) DEPARTURE PROCEDURES

ORIG-A 18SEP14 (14261) (FAA)

TAKEOFF MINIMUMS:

Rwy 1, 300-2 or std. w/ min. climb of 275' per NM to 1000.

Rwys 11, 29 NA-Environmental.

TAKEOFF OBSTACLE NOTES:

Rwy 1, trees, vehicle on road and tower beginning 401' from DER, 407' right of centerline, up to 306' AGL/756' MSL.

Trees and pole beginning 571' from DER, 332' left of centerline, up to 73' AGL/528' MSL.

Rwy 19, trees and building beginning 238' from DER, 294' right of centerline, up to 68' AGL/557' MSL.

Building, trees, poles, bushes and vehicle on road beginning 189' from DER, 270' left of centerline, up to 57' AGL/556' MSL.

SHIRLEY, NY

BROOKHAVEN (HWV)

TAKEOFF MINIMUMS AND (OBSTACLE) DEPARTURE PROCEDURES

ORIG 10MAY07 (07130) (FAA)

TAKEOFF MINIMUMS:

Rwys 6, 33, NA-Noise abatement.

TAKEOFF OBSTACLE NOTES:

Rwy 15, trees beginning 173' from DER, 376' right of centerline, up to 60' AGL/124' MSL.

Trees beginning 40' from DER, 281' left of centerline, up to 60' AGL/124' MSL.

Rwy 24, trees beginning 199' from DER, 497' left of centerline, up to 60' AGL/148' MSL.

Trees beginning 604' from DER, 597' right of centerline, up to 60' AGL/133' MSL.

SIDNEY, NY

SIDNEY MUNI (N23)

TAKEOFF MINIMUMS AND (OBSTACLE) DEPARTURE PROCEDURES

AMDT 5 29MAY14 (14149) (FAA)

TAKEOFF MINIMUMS:

Rwy 7, std. w/min. climb of 340' per NM to 2300 or 1600-3 for climb in visual conditions.

Rwy 25, 600-2½ w/min. climb of 290' per NM to 2000 or std. w/min. climb of 550' per NM to 1800 or 1600-3 for climb in visual conditions.

DEPARTURE PROCEDURE:

Rwy 7, climb heading 071° to 2300 before proceeding on course.

Rwy 25, climb heading 251° to 2000 before proceeding on course.

All runways, obtain ATC approval for climb in visual conditions when requesting IFR clearance. Climb in visual conditions to cross Sidney Muni airport at or above 2500 before proceeding on course.

TAKEOFF OBSTACLE NOTES:

Rwy 7, vehicles on roadway beginning 18' from DER, left and right of centerline, up to 17' AGL/1056' MSL.

Buildings beginning 28' from DER, 383' right of centerline, up to 37' AGL/1035' MSL.

Trees beginning 126' from DER, 341' left of centerline, up to 76' AGL/1077' MSL.

Trees and light poles beginning 939' from DER, 84' right of centerline, up to 40' MSL.

Wall and trees beginning 2.7 NM from DER, 135' left of centerline, up to 92' AGL/1633' MSL.

Trees beginning 2.8 NM from DER, 43' right of centerline, up to 83' MSL.

Trees beginning 3 NM from DER, left and right of centerline, up to 116' AGL/1757' MSL.

Rising terrain beginning 3.2 NM from DER, 1021' left of centerline, up to 2039' MSL.

Rwy 25, rising terrain and trees beginning 4' from DER, 193' left of centerline, up to 65' AGL/1066' MSL.

Vehicles on roadway and trees beginning 17' from DER, 236' right of centerline, up to 80' AGL/1081' MSL.

Trees, vehicles on roadway, power transmission towers and lines beginning 3572' from DER, 94' left of centerline, up to 103' AGL/1413' MSL.

Trees and power transmission towers and lines beginning 1.1 NM from DER, 43' right of centerline, up to 118' AGL/1568' MSL.

Trees beginning 1.3 NM from DER, 1899' left of centerline, up to 100' AGL/1568' MSL.

Wall and trees beginning 1.8 NM from DER, 1766' left of centerline, up to 100' AGL/1339' MSL.

Rising terrain beginning 3.1 NM from DER, 5304' right of centerline up to 1739' MSL.

TAKEOFF MINIMUMS, (OBSTACLE) DEPARTURE PROCEDURES, AND DIVERSE VECTOR AREA (RADAR VECTORS)

21336

NE-2

TAKEOFF MINIMUMS, (OBSTACLE) DEPARTURE PROCEDURES, AND DIVERSE VECTOR AREA (RADAR VECTORS)

21336

SKANEATELES, NY

SKANEATELES AERO DROME (6B9)

TAKEOFF MINIMUMS AND (OBSTACLE) DEPARTURE PROCEDURES

AMDT 1 08NOV18 (18312) (FAA)

TAKEOFF MINIMUMS:

Rwy 28, NA-obstacles.

Rwys 4, 22, NA-environmental.

Rwy 10, 400-3 w/min. climb of 225' per NM to 1600 or 1000-3 for VCOA.

VCOA:

Rwy 10, obtain ATC approval for VCOA when requesting IFR clearance. Climb in visual conditions to cross Skaneateles Aero Drome at or above 1800 before proceeding on course.

TAKEOFF OBSTACLE NOTES:

Rwy 10, tree 3' from DER, 491' left of centerline, 150' AGL/1129' MSL.

Traverse ways beginning 6' from DER, left and right of centerline, up to 10' AGL/999' MSL.

Tree 39' from DER, 375' left of centerline, 150' AGL/1139' MSL.

Tree, traverse ways beginning 45' from DER, 6' right of centerline, up to 150' AGL/1130' MSL.

Trees, pole beginning 185' from DER, 3' left of centerline, up to 150' AGL/1149' MSL.

Tree, pole, beginning 483' from DER, 76' right of centerline, up to 150' AGL/1139' MSL.

Vehicle on road 694' from DER, left and right of centerline, 15' AGL/1014' MSL.

Trees beginning 718' from DER, 4' left of centerline, up to 150' AGL/1149' MSL.

Tree 867' from DER, 363' right of centerline, 150' AGL/1149' MSL.

Tree 880' from DER, 80' right of centerline, 150' AGL/1159' MSL.

SOMERVILLE, NJ

SOMERSET (SMQ)

TAKEOFF MINIMUMS AND (OBSTACLE) DEPARTURE PROCEDURES

AMDT 3 18DEC08 (08353) (FAA)

TAKEOFF MINIMUMS:

Rwys 8, 17, 26, 35, NA-Environmental.

Rwy 12, std. w/ min. climb of 400' per NM to 1000 or 700-3 w/ min. climb of 285' per NM to 1400, or 1100-2½ for climb in visual conditions.

Rwy 30, std. w/ min. climb of 500' per NM to 600 or 300-2 or min. climb of 205' per NM to 1600, or 1100-2½ for climb in visual conditions.

DEPARTURE PROCEDURE:

Rwy 12, climb heading 122° to 1000 before proceeding on course or for climb in visual conditions cross Somerset Airport at or above 1100 before proceeding on course.

Rwy 30, climb heading 302° to 1300 before proceeding on course or for climb in visual conditions cross Somerset Airport at or above 1100 before proceeding on course.

TAKEOFF OBSTACLE NOTES:

Rwy 12, trees beginning at DER, 345' left of centerline, up to 100' AGL/219' MSL.

Trees beginning 600' from DER, left to right of centerline, up to 100' AGL/219' MSL.

Trees beginning 3188' from DER, left to right of centerline, up to 100' AGL/279' MSL.

Rwy 30, trees beginning at DER, 85' right of centerline, up to 100' AGL/199' MSL.

Trees beginning at DER, 110' left of centerline, up to 99' AGL/199' MSL.

Trees beginning 1451' from DER, left to right of centerline, up to 100' AGL/199' MSL.

Trees beginning 2748' from DER, 1147' left of centerline, up to 100' AGL/259' MSL.

SOUTH BETHLEHEM, NY

SOUTH ALBANY (4B0)

TAKEOFF MINIMUMS AND (OBSTACLE) DEPARTURE PROCEDURES

ORIG 09APR09 (09099) (FAA)

TAKEOFF MINIMUMS:

Rwy 1, 300-1¼ or std. w/ min. climb of 290' per NM to 600.

Rwy 19, std. w/ min. climb of 415' per NM to 2000 or 1700-1½ for climb in visual conditions.

DEPARTURE PROCEDURE:

Rwy 1, climb heading 008° to 2000 before proceeding on course.

Rwy 19, climb via heading 188° to 2000 or for climb in visual conditions; cross South Albany airport at or above 1700 before proceeding on course. Do not exceed 180 knots until crossing South Albany airport on course.

TAKEOFF OBSTACLE NOTES:

Rwy 1, vehicles on road beginning 315' from DER, left to right of centerline, up to 15' AGL/234' MSL.

Vehicles on road 17' from DER, 467' left of centerline, 15' AGL/224' MSL.

Trees 523' from DER, 425' right of centerline, up to 100' AGL/299' MSL.

Stacks 1.3 NM from DER, 1522' right of centerline, 195' AGL/435' MSL.

Rwy 19, trains beginning 23' from DER, left and right of centerline, 23' AGL/318' MSL.

TAKEOFF MINIMUMS, (OBSTACLE) DEPARTURE PROCEDURES, AND DIVERSE VECTOR AREA (RADAR VECTORS)

21336

NE-2

TAKEOFF MINIMUMS, (OBSTACLE) DEPARTURE PROCEDURES, AND DIVERSE VECTOR AREA (RADAR VECTORS)

21336

SUSSEX, NJ

SUSSEX (FWN)

TAKEOFF MINIMUMS AND (OBSTACLE) DEPARTURE PROCEDURES

AMDT 3 29MAY14 (14149) (FAA)

TAKEOFF MINIMUMS:

Rwy 3, 700-3 w/min. climb of 315' per NM to 1500 or 1600-3 for climb in visual conditions.

Rwy 21, 600-3 w/min. climb of 295' per NM to 1300 or 1600-3 for climb in visual conditions.

DEPARTURE PROCEDURE:

Rwy 3, climb heading 029° to 1300, then climbing right turn to 3000 direct SAX VORTAC before proceeding on course, or for climb in visual conditions cross Sussex airport at or above 1900 before proceeding on course. When executing VCOA, notify ATC prior to departure.

Rwy 21, climb heading 209° to 1500 before proceeding on course, or for climb in visual conditions cross Sussex airport at or above 1900 before proceeding on course. When executing VCOA, notify ATC prior to departure.

TAKEOFF OBSTACLE NOTES:

Rwy 3, vehicles on road beginning at DER, 87' left of centerline, crossing centerline from left to right, up to 15' AGL/434' MSL.

Building 260' from DER, 120' right of centerline, 25' AGL/444' MSL.

Poles and catenaries beginning at DER, 215' left of centerline, crossing centerline from left to right, up to 50' AGL/469' MSL.

Tree 105' from DER, 215' left of centerline, 100' AGL/519' MSL.

Trees beginning 278' from DER, left and right of centerline, up to 100' AGL/579' MSL.

Tower 1.1 NM from DER, 580' right of centerline, 89' AGL/691' MSL.

Trees beginning 673' from DER, left and right of centerline, up to 100' AGL/799' MSL.

Trees beginning 1.8 NM from DER, left and right of centerline, up to 100' AGL/1022' MSL.

Rwy 21, hangars beginning at DER, 372' left of centerline, up to 25' AGL/444' MSL.

Buildings beginning 237' from DER, 44' left of centerline, up to 100' AGL/444' MSL.

Vehicles on roadway beginning 170' from DER, crossing centerline from left to right, up to 15' AGL/454' MSL.

Poles beginning 336' from DER, left and right of centerline, up to 50' AGL/489' MSL.

Trees beginning 117' from DER, left and right of centerline, up to 100' AGL/519' MSL.

Trees beginning 1200' from DER, 805' left of centerline, up to 100' AGL/579' MSL.

Trees beginning 4845' from DER, left and right of centerline, up to 100' AGL/759' MSL.

Trees beginning 1.4NM from DER, left and right of centerline, up to 100' AGL/1019' MSL.

SYRACUSE, NY

SYRACUSE HANCOCK INTL (SYR)

TAKEOFF MINIMUMS AND (OBSTACLE) DEPARTURE PROCEDURES

AMDT 8 12OCT17 (17285) (FAA)

DEPARTURE PROCEDURE:

Rwy 10, climb heading 100° to 1500 before turning southbound.

Rwy 15, climb heading 132° to 2400 before turning southbound.

Rwy 28, climb heading 280° to 1100 before turning southbound.

Rwy 33, climb heading 327° to 1000 before turning southbound.

TAKEOFF OBSTACLE NOTES:

Rwy 10, NAVAID 5' from DER, 119' left of centerline, 3' AGL/401' MSL.

NAVAID 5' from DER, 119' right of centerline, 3' AGL/401' MSL.

NAVAID 6' from DER, on centerline, 2' AGL/402' MSL.

Signs beginning 54' from DER, 219' right of centerline, up to 7' AGL/404' MSL.

Trees beginning 864' from DER, 618' right of centerline, up to 465' MSL.

Trees beginning 1434' from DER, 744' right of centerline, up to 474' MSL.

Trees beginning 2396' from DER, 729' right of centerline, up to 487' MSL.

Tree 2478' from DER, 804' left of centerline, 87' AGL/472' MSL.

Tree 2557' from DER, 1094' right of centerline, 96' AGL/494' MSL.

Trees beginning 2700' from DER, 822' right of centerline, up to 497' MSL.

Rwy 15, tree 255' from DER, 463' right of centerline, 414' MSL.

Tree 669' from DER, 606' left of centerline, 466' MSL.

Tree 742' from DER, 528' right of centerline, 440' MSL.

Tree 764' from DER, 646' right of centerline, 449' MSL.

Trees beginning 811' from DER, 270' left of centerline, up to 469' MSL.

Trees beginning 1331' from DER, 215' left of centerline, up to 475' MSL.

Tree 1853' from DER, 282' right of centerline, 39' AGL/450' MSL.

Tree 1997' from DER, 801' right of centerline, 453' MSL.

Trees beginning 2562' from DER, 237' right of centerline, up to 479' MSL.

Trees beginning 2829' from DER, 61' left of centerline, up to 487' MSL.

Trees beginning 2931' from DER, 39' right of centerline, up to 487' MSL.

Tree 3026' from DER, 763' left of centerline, 494' MSL.

Tree 3172' from DER, 626' left of centerline, 86' AGL/498' MSL.

Trees beginning 3197' from DER, 194' left of centerline, up to 504' MSL.

Trees beginning 3299' from DER, 196' right of centerline, up to 488' MSL.

Tree 3359' from DER, 109' right of centerline, 504' MSL.

Trees beginning 3362' from DER, 179' right of centerline, up to 88' AGL/505' MSL.

Rwy 28, pole 2456' from DER, 949' right of centerline, 85' AGL/497' MSL.

Rwy 33, trees beginning 749' from DER, 222' right of centerline, up to 466' MSL.

Trees beginning 1445' from DER, 313' right of centerline, up to 63' AGL/467' MSL.

Trees beginning 1650' from DER, 32' left of centerline, up to 476' MSL.

Tree 1712' from DER, 846' right of centerline, 471' MSL.

CON'T

TAKEOFF MINIMUMS, (OBSTACLE) DEPARTURE PROCEDURES, AND DIVERSE VECTOR AREA (RADAR VECTORS)

21336

NE-2

TAKEOFF MINIMUMS, (OBSTACLE) DEPARTURE PROCEDURES, AND DIVERSE VECTOR AREA (RADAR VECTORS)

21336

SYRACUSE, NY (CON'T)

SYRACUSE HANCOCK INTL (SYR) (CON'T)

Rwy 33 (CON'T), trees beginning 1770' from DER, 294' right of centerline, up to 71' AGL/475' MSL.

Tree 1935' from DER, 609' right of centerline, 476' MSL.

Tree 2101' from DER, 963' left of centerline, 484' MSL.

Trees beginning 2329' from DER, 849' left of centerline, up to 96' AGL/500' MSL.

Tree 3170' from DER, 889' right of centerline, 497' MSL.

TETERBORO, NJ

TETERBORO (TEB)

TAKEOFF MINIMUMS AND (OBSTACLE) DEPARTURE PROCEDURES

AMDT 8 24JUL14 (14205) (FAA)

TAKEOFF MINIMUMS:

Rwy 1, 400-2¼ or std. w/min. climb of 294' per NM to 500.

Rwy 6, 300-1½ or std. w/min. climb of 263' per NM to 400.

Rwy 19, 600-2¼ or std. w/min. climb of 352' per NM to 700.

Rwy 24, 400-1¼ or std. w/min. climb of 444' per NM to 500.

DEPARTURE PROCEDURE:

Rwy 1, climbing right turn heading 040° to 900 before proceeding on course.

Rwy 6, climbing left turn heading 040° to 900 before proceeding on course.

Rwy 19, climb heading 195° to 900 then climbing right turn on BWZ VORTAC R-104 to 2000 before proceeding on course.

Rwy 24, climb heading 240° to 1500 before proceeding on course.

TAKEOFF OBSTACLE NOTES:

Rwy 1, building, poles, and trees beginning 198' from DER, 147' left of centerline, up to 77' AGL/86' MSL.

Building, poles, and trees beginning 906' from DER, 135' right of centerline, up to 65' AGL/74' MSL.

Tree 1771' from DER, on centerline, 49' AGL/58' MSL.

Buildings and trees beginning 4753' from DER, 127' left of centerline, up to 146' AGL/265' MSL.

Building 5903' from DER, 1521' left of centerline, 160' AGL/224' MSL.

Buildings beginning 1.5 NM from DER, 320' right of centerline, up to 206' AGL/285' MSL.

Buildings beginning 1.8 NM from DER, 752' right of centerline, up to 249' AGL/314' MSL.

Rwy 6, signs beginning 20' from DER, 308' left of centerline, 1' AGL/8' MSL.

Buildings, poles, trees, and sign beginning 26' from DER, 145' right of centerline, up to 44' AGL/53' MSL.

Buildings and poles beginning 195' from DER, 297' left of centerline, up to 42' AGL/51' MSL.

Vehicles on road beginning 274' from DER, left and right of centerline, up to 15' AGL/23' MSL.

Buildings, poles, trees, and signs beginning 434' from DER, 7' left of centerline, up to 104' AGL/115' MSL.

Buildings and trees beginning 1216' from DER, 57' right of centerline, up to 100' AGL/139' MSL.

Stack 1.2 NM from DER, 654' right of centerline, 230' AGL/240' MSL.

Rwy 19, vehicles on road beginning 12' from DER, left and right of centerline, up to 15' AGL/21' MSL.

Trees beginning 67' from DER, 373' left of centerline, up to 72' AGL/79' MSL.

Buildings, fence, poles, and trees beginning 186' from DER, 40' right of centerline, up to 89' AGL/98' MSL.

Localizer antenna 598' from DER, on centerline, 29' AGL/34' MSL.

Trees beginning 795' from DER, left and right of centerline, up to 88' AGL/109' MSL.

Towers and antennas beginning 1.1 NM from DER, 1370' right of centerline, up to 243' AGL/246' MSL.

Monuments 1.7 NM from DER, 1331' right of centerline, up to 287' AGL/299' MSL.

Towers and antennas beginning 1.9 NM from DER, 1643' right of centerline, up to 500' AGL/510' MSL.

Rwy 24, structures and trees beginning 26' from DER, 214' left of centerline, up to 67' AGL/76' MSL.

Pole and trees beginning 249' from DER, 100' right of centerline, up to 54' AGL/103' MSL.

Buildings, poles, sign, and trees beginning 2724' from DER, 536' right of centerline, up to 83' AGL/272' MSL.

Trees beginning 5264' from DER, 1915' right of centerline, up to 100' AGL/309' MSL.

Trees beginning 1.3 NM from DER, 1744' right of centerline, up to 88' AGL/217' MSL.

TICONDEROGA, NY

TICONDEROGA MUNI (4B6)

TAKEOFF MINIMUMS AND (OBSTACLE) DEPARTURE PROCEDURES

AMDT 1 03JAN19 (19003) (FAA)

TAKEOFF MINIMUMS:

Rwy 2, std. w/min. climb of 223' per NM to 5300, or 2800-3 for VCOA.

Rwy 20, std. w/min. climb of 346' per NM to 1700, or 2800-3 for VCOA.

DEPARTURE PROCEDURE:

Rwy 2, climb on a heading between 029° CW to 197° from DER.

Rwy 20, climb on a heading between 018° CW to 198° from DER.

VCOA:

All runways, obtain ATC approval for VCOA when requesting IFR clearance. Climb in visual conditions to cross

Ticonderoga Muni at or above 2900 before proceeding on course.

TAKEOFF OBSTACLE NOTES:

Rwy 2, sign 18' from DER, 118' left of centerline, 1' AGL/266' MSL.

Tree 33' from DER, 279' right of centerline, 300' MSL.

Trees beginning 40' from DER, 186' right of centerline, up to 43' AGL/302' MSL.

Trees beginning 131' from DER, 23' right of centerline, up to 320' MSL.

Tree 653' from DER, 63' left of centerline, 284' MSL.

Trees beginning 717' from DER, 239' left of centerline, up to 286' MSL.

Trees beginning 759' from DER, 431' left of centerline, up to 90' AGL/289' MSL.

CON'T

TAKEOFF MINIMUMS, (OBSTACLE) DEPARTURE PROCEDURES, AND DIVERSE VECTOR AREA (RADAR VECTORS)

21336

NE-2

TAKEOFF MINIMUMS, (OBSTACLE) DEPARTURE PROCEDURES, AND DIVERSE VECTOR AREA (RADAR VECTORS)

21336

TICONDEROGA, NY (CON'T)

TICONDEROGA MUNI (4B6) (CON'T)

Rwy 2 (CON'T), tree 1068' from DER, 201' left of centerline, 292' MSL.
Rwy 20, tree 54' from DER, 262' left of centerline, 41' AGL/305' MSL.
 Trees beginning 74' from DER, 256' left of centerline, up to 318' MSL.
 Terrain 148' from DER, 185' right of centerline, 280' MSL.
 Terrain beginning 190' from DER, 362' right of centerline, up to 282' MSL.
 Trees beginning 331' from DER, 346' left of centerline, up to 328' MSL.
 Terrain beginning 382' from DER, 317' right of centerline, up to 286' MSL.
 Terrain beginning 503' from DER, 215' right of centerline, up to 288' MSL.
 Terrain 541' from DER, 396' right of centerline, 289' MSL.
 Terrain 607' from DER, 285' right of centerline, 290' MSL.
 Terrain beginning 737' from DER, 213' right of centerline, up to 294' MSL.
 Trees beginning 872' from DER, 173' left of centerline, up to 331' MSL.
 Terrain 934' from DER, 303' right of centerline, 298' MSL.
 Terrain 968' from DER, 221' right of centerline, 299' MSL.
 Terrain 1022' from DER, 420' right of centerline, 301' MSL.
 Trees beginning 1151' from DER, 51' right of centerline, up to 23' AGL/324' MSL.
 Trees beginning 1159' from DER, 286' right of centerline, up to 30' AGL/332' MSL.
 Tree and terrain beginning 1165' from DER, 167' right of centerline, up to 33' AGL/333' MSL.
 Trees beginning 1400' from DER, 548' left of centerline, up to 341' MSL.
 Tree 1603' from DER, 708' right of centerline, 47' AGL/340' MSL.
 Trees beginning 1618' from DER, 676' left of centerline, up to 357' MSL.
 Trees beginning 1681' from DER, 288' left of centerline, up to 100' AGL/359' MSL.
 Trees beginning 1827' from DER, 95' left of centerline, up to 104' AGL/365' MSL.
 Trees beginning 2953' from DER, 18' left of centerline, up to 374' MSL.
 Trees beginning 2956' from DER, 100' right of centerline, up to 357' MSL.
 Trees beginning 3379' from DER, 133' right of centerline, up to 364' MSL.
 Tree 3720' from DER, 375' right of centerline, 368' MSL.
 Trees beginning 3758' from DER, 105' left of centerline, up to 383' MSL.
 Trees beginning 3938' from DER, 39' right of centerline, up to 384' MSL.
 Trees beginning 4019' from DER, 126' left of centerline, up to 401' MSL.
 Tree 4250' from DER, 552' right of centerline, 69' AGL/385' MSL.
 Trees beginning 4482' from DER, 178' right of centerline, up to 86' AGL/404' MSL.
 Tree 4595' from DER, 161' right of centerline, 91' AGL/405' MSL.

TOMS RIVER, NJ

OCEAN COUNTY (MJX)

TAKEOFF MINIMUMS AND (OBSTACLE) DEPARTURE PROCEDURES

AMDT 1B 24MAY18 (18144) (FAA)

TAKEOFF MINIMUMS:

Rwy 14, 32, NA.

TAKEOFF OBSTACLE NOTES:

Rwy 6, trees beginning 67' from DER, 268' left of centerline, up to 44' AGL/109' MSL.
 Trees beginning 179' from DER, 510' right of centerline, up to 53' AGL/122' MSL.
 Trees beginning 525' from DER, 1' left of centerline, up to 62' AGL/121' MSL.
 Trees beginning 766' from DER, 65' right of centerline, up to 67' AGL/146' MSL.
Rwy 24, terrain 52' from DER, 438' right of centerline, up to 77' MSL.
 Trees beginning 1078' from DER, 98' left of centerline, up to 24' AGL/108' MSL.
 Trees beginning 1333' from DER, 494' right of centerline, up to 37' AGL/120' MSL.

TRENTON, NJ

TRENTON MERCER (TTN)

TAKEOFF MINIMUMS AND (OBSTACLE) DEPARTURE PROCEDURES

AMDT 5 02MAY13 (13122) (FAA)

TAKEOFF OBSTACLE NOTES:

Rwy 6, trees beginning 546' from DER, 546' right of centerline, up to 100' AGL/224' MSL.
 Vehicles on road beginning 719' from DER, left and right of centerline, up to 15' AGL/214' MSL.
 Trees beginning 1068' from DER, 13' right of centerline, up to 100' AGL/275' MSL.
 Trees beginning 1093' from DER, 290' left of centerline, up to 100' AGL/319' MSL.
 Trees and poles beginning 1972' from DER, 3' left of centerline, up to 100' AGL/332' MSL.
 Trees and tower beginning 2115' from DER, 5' right of centerline, up to 100' AGL/273' MSL.
Rwy 16, trees beginning 56' from DER, 375' left of centerline, up to 69' AGL/236' MSL.
 Railroad cars beginning 415' from DER, left and right of centerline, up to 26' AGL/186' MSL.
 Trees beginning 582' from DER, 71' right of centerline, up to 68' AGL/228' MSL.
 Trees beginning 1462' from DER, 127' left of centerline, up to 85' AGL/238' MSL.
Rwy 24, pole, building and vehicle beginning 41' from DER, 22' left of centerline, up to 32' AGL/185' MSL.
 Trees beginning 1844' from DER, 279' left of centerline, up to 103' AGL/271' MSL.
 Trees beginning 3232' from DER, 836' right of centerline, up to 119' AGL/256' MSL.
Rwy 34, trees beginning 155' from DER, 303' right of centerline, up to 78' AGL/250' MSL.
 Trees beginning 340' from DER, 333' left of centerline, up to 68' AGL/250' MSL.
 Trees beginning 1412' from DER, 706' right of centerline, up to 100' AGL/319' MSL.

02 DEC 2021 to 30 DEC 2021

02 DEC 2021 to 30 DEC 2021



TAKEOFF MINIMUMS, (OBSTACLE) DEPARTURE PROCEDURES, AND DIVERSE VECTOR AREA (RADAR VECTORS)

21336



NE-2

TAKEOFF MINIMUMS, (OBSTACLE) DEPARTURE PROCEDURES, AND DIVERSE VECTOR AREA (RADAR VECTORS)

21336

VINELAND, NJ

KROELINGER (29N)

TAKEOFF MINIMUMS AND (OBSTACLE) DEPARTURE PROCEDURES
AMDT 1A 16AUG18 (18228) (FAA)

TAKEOFF MINIMUMS:

Rwy 10, 300-1 or standard w/ min. climb of 285' per NM to 400.

Rwys 28, 300-1.

WATERTOWN, NY

WATERTOWN INTL (ART)

TAKEOFF MINIMUMS AND (OBSTACLE) DEPARTURE PROCEDURES
AMDT 3 19JUL18 (18200) (FAA)

TAKEOFF MINIMUMS:

Rwy 7, 300-1% or std. w/min. climb of 270' per NM to 600.

Rwy 10, 300-1½ w/min. climb of 220' per NM to 3000, or std. w/min. climb of 315' per NM to 600, or 1000-2½ with VCOA.
VCOA:

Rwy 10, obtain ATC approval for VCOA when requesting IFR clearance. Climb in visual conditions to cross Watertown Intl Airport at or above 1200 before proceeding on course.

TAKEOFF OBSTACLE NOTES:

Rwy 7, vehicle on road 539' from DER, 532' left of centerline, 341' MSL.

Trees beginning 787' from DER, 493' right of centerline, up to 55' AGL/378' MSL.

Tree 817' from DER, 408' left of centerline, 43' AGL/363' MSL.

Trees beginning 886' from DER, 478' left of centerline, up to 63' AGL/380' MSL.

Tree 1024' from DER, 665' right of centerline, 63' AGL/386' MSL.

Trees beginning 1092' from DER, 96' right of centerline, up to 387' MSL.

Tree 2506' from DER, 248' right of centerline, 81' AGL/399' MSL.

Trees beginning 4386' from DER, 699' left of centerline, 100' AGL/479' MSL.

Trees beginning 5223' from DER, 262' left of centerline, up to 100' AGL/499' MSL.

Trees beginning 1 nm from DER, 260' left of centerline, up to 100' AGL/509' MSL.

Tree 1.1 NM from DER, 208' left of centerline, 100' AGL/519' MSL.

Tree 1.3 NM from DER, 680' left of centerline, 100' AGL/559' MSL.

Rwy 10, vehicle on road 211' from DER, 526' left of centerline, 345' MSL.

Trees beginning 380' from DER, 563' left of centerline, up to 363' MSL.

Trees beginning 495' from DER, 396' right of centerline, up to 60' AGL/388' MSL.

Tree 1239' from DER, 671' left of centerline, 367' MSL.

Tree 1250' from DER, 789' left of centerline, 371' MSL.

Trees beginning 1410' from DER, 733' left of centerline, up to 392' MSL.

Trees beginning 2011' from DER, 811' right of centerline, up to 389' MSL.

Trees beginning 2134' from DER, 913' right of centerline, up to 394' MSL.

Trees beginning 2146' from DER, 797' right of centerline, up to 403' MSL.

Trees beginning 2439' from DER, 839' right of centerline, up to 404' MSL.

Tree 2515' from DER, 905' right of centerline, 407' MSL.

Tree 2553' from DER, 1150' right of centerline, 409' MSL.

Tree 2568' from DER, 996' right of centerline, 412' MSL.

Trees beginning 2652' from DER, 541' right of centerline, up to 414' MSL.

Trees beginning 2826' from DER, 635' right of centerline, up to 416' MSL.

Trees beginning 2973' from DER, 317' right of centerline, up to 425' MSL.

Tree 2991' from DER, 256' left of centerline, 72' AGL/407' MSL.

Tree 3034' from DER, 620' left of centerline, 410' MSL.

Tree 3051' from DER, 932' left of centerline, 419' MSL.

Tree 3982' from DER, 1388' right of centerline, 438' MSL.

Tree 4022' from DER, 1564' right of centerline, 482' MSL.

Trees beginning 4141' from DER, 960' right of centerline, up to 487' MSL.

Trees beginning 4480' from DER, 877' right of centerline, up to 491' MSL.

Trees beginning 4779' from DER, 966' right of centerline, up to 496' MSL.

Tree 4860' from DER, 1676' right of centerline, 513' MSL.

Trees beginning 4871' from DER, 863' right of centerline, up to 515' MSL.

Trees beginning 4966' from DER, 724' right of centerline, up to 65' AGL/520' MSL.

Trees and poles beginning 5048' from DER, 574' right of centerline, up to 72' AGL/529' MSL.

Rwy 28, tree 919' from DER, 356' right of centerline, 42' AGL/341' MSL.

Tree 1582' from DER, 786' left of centerline, 66' AGL/359' MSL.

Tree 1592' from DER, 331' left of centerline, 66' AGL/360' MSL.

Tree 1863' from DER, 988' left of centerline, 75' AGL/370' MSL.

Trees beginning 2572' from DER, 871' left of centerline, up to 381' MSL.

Trees beginning 2704' from DER, 622' left of centerline, up to 102' AGL/390' MSL.

WEEDSPORT, NY

WHITFORDS (B16)

TAKEOFF MINIMUMS AND (OBSTACLE) DEPARTURE PROCEDURES
ORIG-A 28FEB19 (19059) (FAA)

TAKEOFF MINIMUMS:

Rwys 10, 28, 300-1.

TAKEOFF MINIMUMS, (OBSTACLE) DEPARTURE PROCEDURES, AND DIVERSE VECTOR AREA (RADAR VECTORS)

21336

NE-2

TAKEOFF MINIMUMS, (OBSTACLE) DEPARTURE PROCEDURES, AND DIVERSE VECTOR AREA (RADAR VECTORS)

21336

WELLSVILLE, NY

WELLSVILLE MUNI - TARANTINE FIELD (ELZ)

TAKEOFF MINIMUMS AND (OBSTACLE) DEPARTURE PROCEDURES

AMDT 2A 31DEC20 (20366) (FAA)

TAKEOFF OBSTACLE NOTES:

- Rwy 10**, terrain 3' from DER, 4' right of centerline, 2100' MSL.
- Sign 21' from DER, 186' left of centerline, 3' AGL/2102' MSL.
- Tree 493' from DER, 500' left of centerline, 50' AGL/2121' MSL.
- Rwy 28**, wall, terrain, lighting beginning abeam DER, 62' left of centerline, up to 7' AGL/2132' MSL.
- Lighting 12' from DER, 61' right of centerline, 3' AGL/2124' MSL.
- Vehicles on road 14' from DER, 455' left of centerline, 2137' MSL.
- Antenna 113' from DER, 253' right of centerline, 24' AGL/2126' MSL.
- Tree 624' from DER, 447' left of centerline, 2160' MSL.
- Trees beginning 753' from DER, 669' left of centerline, up to 2170' MSL.

WEST CREEK, NJ

EAGLES NEST (31E)

TAKEOFF MINIMUMS AND (OBSTACLE) DEPARTURE PROCEDURES

AMDT 1 08NOV18 (18312) (FAA)

TAKEOFF MINIMUMS:

- Rwy 14**, 300-1 or std. w/min. climb of 470' per NM to 400.

DEPARTURE PROCEDURE:

- Rwy 14**, climb heading 146° to 600 before turning right.
- Rwy 32**, climb heading 326° to 800 before turning left.

TAKEOFF OBSTACLE NOTES:

- Rwy 14**, trees beginning 35' from DER, 35' left of centerline, up to 100' AGL/146' MSL.
- Trees beginning 118' from DER, 127' right of centerline, up to 100' AGL/133' MSL.
- Trees beginning 752' from DER, 31' left of centerline, up to 100' AGL/150' MSL.
- Trees beginning 836' from DER, 20' right of centerline, up to 100' AGL/140' MSL.
- Trees beginning 2692' from DER, 27' right of centerline, up to 100' AGL/146' MSL.
- Trees beginning 2946' from DER, 28' left of centerline, up to 100' AGL/153' MSL.
- Tower and trees beginning 3961' from DER, 82' right of centerline, up to 234' AGL/270' MSL.
- Rwy 32**, trees beginning 48' from DER, 320' right of centerline, up to 100' AGL/130' MSL.
- Tree 133' from DER, 442' left of centerline, 100' AGL/127' MSL.
- Trees beginning 343' from DER, 5' left of centerline, up to 100' AGL/130' MSL.
- Trees beginning 427' from DER, 50' right of centerline, up to 100' AGL/133' MSL.
- Trees beginning 850' from DER, 112' left of centerline, up to 100' AGL/133' MSL.
- Trees beginning 1186' from DER, 106' right of centerline, up to 100' AGL/137' MSL.
- Trees beginning 1271' from DER, 1' left of centerline, up to 100' AGL/137' MSL.
- Trees beginning 1397' from DER, 54' right of centerline, up to 100' AGL/143' MSL.
- Trees beginning 3126' from DER, 2' right of centerline, up to 100' AGL/146' MSL.
- Trees beginning 4476' from DER, 1532' right of centerline, up to 100' AGL/150' MSL.

WEST MILFORD, NJ

GREENWOOD LAKE (4N1)

TAKEOFF MINIMUMS AND (OBSTACLE) DEPARTURE PROCEDURES

AMDT 2 09FEB12 (12040) (FAA)

TAKEOFF MINIMUMS:

- Rwy 6**, std. w/min. climb of 260' per NM to 1700; or, 1300 - 2½ for climb in visual conditions.
- Rwy 24**, 500 - 2½ ;or, 1300 - 2½ for climb in visual conditions.

DEPARTURE PROCEDURE:

- Rwy 6**, climb heading 061° to 1700 before proceeding on course, or for climb in visual conditions: cross Greenwood Lake Airport at or above 1900' MSL before proceeding on course. When executing VCOA, notify ATC prior to departure.
- Rwy 24**, climb heading 241° to 1800 before proceeding on course, or for climb in visual conditions: cross Greenwood Lake Airport at or above 1900' MSL before proceeding on course. When executing VCOA, notify ATC prior to departure.

TAKEOFF OBSTACLE NOTES:

- Rwy 6**, trees beginning 18' from DER, across centerline, up to 100' AGL/1284' MSL.
- Rwy 24**, trees beginning 3' from DER, across centerline, up to 100' AGL/1191' MSL.

TAKEOFF MINIMUMS, (OBSTACLE) DEPARTURE PROCEDURES, AND DIVERSE VECTOR AREA (RADAR VECTORS)

21336

NE-2

TAKEOFF MINIMUMS, (OBSTACLE) DEPARTURE PROCEDURES, AND DIVERSE VECTOR AREA (RADAR VECTORS)

21336

WESTHAMPTON BEACH, NY

FRANCIS S. GABRESKI (FOK)

TAKEOFF MINIMUMS AND (OBSTACLE) DEPARTURE PROCEDURES

AMDT 2 31MAY12 (12152) (FAA)

TAKEOFF MINIMUMS:

Rwy 6, 300-1¾ or std. w/ min. climb of 230' per NM to 400, or alternatively, with standard takeoff minimums and a normal 200' per NM climb gradient, takeoff must occur no later than 2000' prior to DER.

TAKEOFF OBSTACLE NOTES:

Rwy 1, terrain and trees beginning 6' from DER, 129' left of centerline, up to 33' AGL/107' MSL.

Trees beginning 1007' from DER, 677' right of centerline, up to 29' AGL/98' MSL.

Rwy 6, trees 1285' from DER, 720' left of centerline, up to 36' AGL/105' MSL.

Pole 2027' from DER, 987' right of centerline, 85' AGL/161' MSL.

Transmission line tower 1.3 NM from DER, 2432' left of centerline, 71' AGL/301' MSL.

Rwy 15, trees beginning 1053' from DER, 496' left of centerline, up to 50' AGL/79' MSL.

Trees beginning 977' from DER, 204' right of centerline, up to 51' AGL/90' MSL.

Rwy 19, poles, buildings, and trees beginning 270' from DER, 219' left of centerline, up to 57' AGL/88' MSL.

Trees 6' from DER, 358' right of centerline, up to 17' AGL/66' MSL.

Rwy 24, sign, building, and trees beginning 37' from DER, 251' left of centerline, up to 75' AGL/115' MSL.

Bushes and trees beginning 6' from DER, 299' right of centerline, up to 12' AGL/61' MSL.

Rwy 33, terrain beginning 53' from DER, 407' left of centerline, up to 67' MSL.

Terrain, runway end identifier light, and trees beginning 52' from DER, 97' right of centerline, up to 29' AGL/103' MSL.

WHEELER-SACK AAF (KGTB)

FORT DRUM, NY

TAKEOFF MINIMUMS AND (OBSTACLE) DEPARTURE PROCEDURES

AMDT 5A 25FEB21 (21056) (USA)

TAKEOFF MINIMUMS:

Rwy 15, std. w/ min. climb of 250' per NM to 3100.

Rwy 21, 1100-3 or std. w/ min. climb of 260' per NM to 3100.

Rwy 26, 1000-1¾ or std. w/ min. climb of 240' per NM to 2500.

DEPARTURE PROCEDURE:

Rwy 26, climb hdg 263° to 1400 before turning left.

TAKEOFF OBSTACLE NOTES:

Rwy 3, trees 2467' from DER, 896' left of cntrn, 100' AGL/759' MSL.

Rwy 8, trees 441' from DER, 524' right of cntrn, 62' AGL/747' MSL.

Trees 1887' from DER, 125' right of cntrn, 62' AGL/747' MSL.

Fence line 314' from DER, 367' right of cntrn, 11' AGL/696' MSL.

Rwy 15, trees 1402' from DER, 535' left of cntrn, 60' AGL/747' MSL.

Rwy 26, trees 1293' from DER, 614' right of cntrn, 42' AGL/717' MSL.

Trees 186' from DER, 463' right of cntrn, 13' AGL/688' MSL.

Rwy 33, trees 1224' from DER, 609' right of cntrn, 47' AGL/710' MSL.

WHITE PLAINS, NY

WESTCHESTER COUNTY (HPN)

TAKEOFF MINIMUMS AND (OBSTACLE) DEPARTURE PROCEDURES

AMDT 8 22JUN17 (17173) (FAA)

TAKEOFF MINIMUMS:

Rwy 29, 300-1½ or std. w/ min. climb of 235' per NM to 700, or alternatively, with std. takeoff minimums and a normal 200' per NM climb gradient, takeoff must occur no later than 2000' prior to DER.

TAKEOFF OBSTACLE NOTES:

Rwy 11, sign 22' from DER, 176' left of centerline, 3' AGL/390' MSL.

Vehicles on road 68' from DER, 167' right of centerline, 390' MSL.

Trees beginning 107' from DER, 379' right of centerline, up to 450' MSL.

Terrain 140' from DER, 248' left of centerline, 392' MSL.

Tree 148' from DER, 511' left of centerline, 472' MSL.

Trees beginning 164' from DER, 78' left of centerline, up to 77' AGL/477' MSL.

Trees beginning 187' from DER, 378' right of centerline, up to 77' AGL/468' MSL.

Trees beginning 379' from DER, 553' right of centerline, up to 99' AGL/482' MSL.

Trees beginning 411' from DER, 6' right of centerline, up to 101' AGL/484' MSL.

Trees beginning 484' from DER, 12' left of centerline, up to 96' AGL/491' MSL.

Tree and building beginning 589' from DER, 98' left of centerline, up to 499' MSL.

Tree and building beginning 599' from DER, 33' left of centerline, up to 104' AGL/502' MSL.

Tree and building beginning 651' from DER, 3' right of centerline, up to 111' AGL/493' MSL.

Trees beginning 703' from DER, 19' left of centerline, up to 507' MSL.

Tree, building, and pole beginning 760' from DER, 4' left of centerline, up to 113' AGL/523' MSL.

Tree 1083' from DER, 666' left of centerline, 526' MSL.

Tree 1099' from DER, 733' left of centerline, 79' AGL/528' MSL.

Tree, building, pole, and flagpole beginning 1100' from DER, 26' left of centerline, up to 530' MSL.

Trees beginning 1434' from DER, 10' left of centerline, up to 87' AGL/532' MSL.

CON'T

02 DEC 2021 to 30 DEC 2021

02 DEC 2021 to 30 DEC 2021

TAKEOFF MINIMUMS, (OBSTACLE) DEPARTURE PROCEDURES, AND DIVERSE VECTOR AREA (RADAR VECTORS)

21336

NE-2

TAKEOFF MINIMUMS, (OBSTACLE) DEPARTURE PROCEDURES, AND DIVERSE VECTOR AREA (RADAR VECTORS)

21336

WHITE PLAINS, NY (CON'T)

WESTCHESTER COUNTY (HPN) (CON'T)

Rwy 16, taxiway light 131' from DER, 499' left of centerline, 1' AGL/384' MSL.
Terrain 273' from DER, 515' left of centerline, 387' MSL.
Trees beginning 999' from DER, 171' left of centerline, up to 109' AGL/436' MSL.
Tree 1096' from DER, 663' right of centerline, 86' AGL/425' MSL.
Trees beginning 1098' from DER, 226' right of centerline, up to 112' AGL/454' MSL.
Building 3433' from DER, 604' left of centerline, 60' AGL/467' MSL.
Rwy 29, tree and REIL beginning 6' from DER, 115' right of centerline, up to 17' AGL/407' MSL.
Tree and pole beginning 22' from DER, 174' right of centerline, up to 23' AGL/416' MSL.
Sign 24' from DER, 252' left of centerline, 3' AGL/398' MSL.
Tree and pole beginning 198' from DER, 478' right of centerline, up to 57' AGL/435' MSL.
Tree 231' from DER, 522' right of centerline, 444' MSL.
Tree 255' from DER, 503' left of centerline, 425' MSL.
Tree and pole beginning 273' from DER, on centerline, up to 80' AGL/452' MSL.
Tree 364' from DER, 462' left of centerline, 433' MSL.
Trees beginning 396' from DER, 226' left of centerline, up to 477' MSL.
Tree 458' from DER, 467' left of centerline, 113' AGL/486' MSL.
Trees beginning 459' from DER, 1' left of centerline, up to 113' AGL/491' MSL.
Tree and pole beginning 771' from DER, 3' left of centerline, up to 98' AGL/494' MSL.
Tree 1562' from DER, 895' left of centerline, 495' MSL.
Trees beginning 1584' from DER, 495' left of centerline, up to 106' AGL/502' MSL.
Tree 1888' from DER, 884' left of centerline, 510' MSL.
Trees beginning 1890' from DER, 504' left of centerline, up to 98' AGL/511' MSL.
Trees beginning 2018' from DER, 485' left of centerline, up to 102' AGL/515' MSL.
Tree 1.1 NM from DER, 878' right of centerline, 86' AGL/600' MSL.
Tree and tank beginning 1.1 NM from DER, 733' right of centerline, up to 602' MSL.
Tree, tower, and tank beginning 1.1 NM from DER, 681' right of centerline, up to 96' AGL/603' MSL.
Rwy 34, pole 167' from DER, 282' right of centerline, 26' AGL/456' MSL.
Trees beginning 812' from DER, 298' left of centerline, up to 102' AGL/518' MSL.
Trees beginning 1792' from DER, 719' right of centerline, up to 91' AGL/499' MSL.
Trees beginning 2000' from DER, 751' right of centerline, up to 104' AGL/509' MSL.

WILDWOOD, NJ

CAPE MAY COUNTY (WWD)

TAKEOFF MINIMUMS AND (OBSTACLE) DEPARTURE PROCEDURES

AMDT 3A 25FEB21 (21056) (FAA)

TAKEOFF MINIMUMS:

Rwy 10, 300-1¼ or std. w/ min. climb of 260' per NM to 500.

DEPARTURE PROCEDURE:

Rwy 19, climb on heading 190° to 700 before turning left.

TAKEOFF OBSTACLE NOTES:

Rwy 1, fence beginning 7' from DER, 497' left of centerline, up to 23' MSL.
Tree 52' from DER, 484' right of centerline, 23' MSL.
Vehicle on roadway, fence beginning 118' from DER, 26' right of centerline, up to 30' MSL.
Vehicle on roadway beginning 285' from DER, 21' left of centerline, up to 28' MSL.
Trees beginning 624' from DER, 44' left of centerline, up to 87' MSL.
Tree 886' from DER, 87' right of centerline, 36' AGL/47' MSL.
Tree 994' from DER, 507' right of centerline, 54' MSL.
Tree 1218' from DER, 614' right of centerline, 64' MSL.
Trees beginning 1384' from DER, 100' right of centerline, up to 67' MSL.
Tree 3246' from DER, 1085' right of centerline, 98' MSL.
Rwy 10, tree, fence beginning 42' from DER, 255' left of centerline, up to 34' AGL/47' MSL.
Trees beginning 131' from DER, 405' right of centerline, up to 24' MSL.
Tree 361' from DER, 482' left of centerline, 50' AGL/69' MSL.
Trees beginning 546' from DER, 498' right of centerline, up to 57' AGL/77' MSL.
Trees beginning 853' from DER, 13' left of centerline, up to 77' MSL.
Trees beginning 989' from DER, 104' right of centerline, up to 78' MSL.
Trees beginning 1517' from DER, 91' right of centerline, up to 86' MSL.
Tree 1806' from DER, 827' left of centerline, 78' MSL.
Trees beginning 1920' from DER, 405' right of centerline, up to 87' MSL.
Trees beginning 2017' from DER, 517' left of centerline, up to 87' MSL.
Trees beginning 2363' from DER, 533' left of centerline, up to 90' MSL.
Trees beginning 2391' from DER, 101' left of centerline, up to 95' MSL.
Trees beginning 2621' from DER, 433' left of centerline, up to 101' MSL.
Trees beginning 2670' from DER, 487' right of centerline, up to 94' MSL.
Trees beginning 2807' from DER, 470' right of centerline, up to 96' MSL.
Rwy 19, tree 63' from DER, 465' right of centerline, 31' MSL.
Pole 564' from DER, 610' right of centerline, 44' MSL.
Tree 761' from DER, 636' right of centerline, 45' AGL/65' MSL.
Trees beginning 791' from DER, 53' left of centerline, up to 20' AGL/43' MSL.

CON'T

02 DEC 2021 to 30 DEC 2021

02 DEC 2021 to 30 DEC 2021

TAKEOFF MINIMUMS, (OBSTACLE) DEPARTURE PROCEDURES, AND DIVERSE VECTOR AREA (RADAR VECTORS)

21336

NE-2

TAKEOFF MINIMUMS, (OBSTACLE) DEPARTURE PROCEDURES, AND DIVERSE VECTOR AREA (RADAR VECTORS)

21336

WILDWOOD, NJ (CON'T)

CAPE MAY COUNTY (WWD) (CON'T)

Rwy 18 (CON'T), tree 822' from DER, 176' left of centerline, 23' AGL/44' MSL.

Tree 826' from DER, 476' right of centerline, 49' AGL/69' MSL.

Tree 833' from DER, 57' left of centerline, 25' AGL/48' MSL.

Tree 851' from DER, 32' left of centerline, 27' AGL/51' MSL.

Trees beginning 855' from DER, 11' right of centerline, up to 76' MSL.

Trees beginning 903' from DER, 8' left of centerline, up to 62' MSL.

Trees beginning 1087' from DER, 15' left of centerline, up to 76' MSL.

Trees beginning 1194' from DER, 5' right of centerline, up to 77' MSL.

Trees beginning 1287' from DER, 27' right of centerline, up to 86' MSL.

Tree 1400' from DER, 677' left of centerline, 79' MSL.

Trees beginning 1400' from DER, 82' left of centerline, up to 56' AGL/80' MSL.

Trees beginning 1433' from DER, 16' right of centerline, up to 87' MSL.

Trees beginning 1443' from DER, 1' left of centerline, up to 84' MSL.

Trees beginning 1560' from DER, 142' left of centerline, up to 87' MSL.

Trees beginning 1564' from DER, 50' right of centerline, up to 91' MSL.

Trees beginning 1918' from DER, 292' right of centerline, up to 92' MSL.

Trees beginning 2299' from DER, 112' left of centerline, up to 71' AGL/90' MSL.

Trees beginning 2338' from DER, 49' left of centerline, up to 93' MSL.

Trees beginning 2403' from DER, 256' right of centerline, up to 73' AGL/94' MSL.

Trees beginning 2426' from DER, 212' right of centerline, up to 74' AGL/95' MSL.

Trees beginning 2445' from DER, 7' right of centerline, up to 76' AGL/97' MSL.

Tree 2476' from DER, 470' left of centerline, 101' MSL.

Trees beginning 2521' from DER, 137' left of centerline, up to 102' MSL.

Tree 3030' from DER, 979' right of centerline, 103' MSL.

Rwy 28, fence, tree beginning 17' from DER, 312' right of centerline, up to 24' MSL.

Trees beginning 43' from DER, 451' left of centerline, up to 64' AGL/76' MSL.

Tree, fence beginning 86' from DER, 282' right of centerline, up to 34' AGL/47' MSL.

Trees beginning 125' from DER, 481' left of centerline, up to 86' MSL.

Tree 474' from DER, 494' right of centerline, 82' MSL.

Trees beginning 696' from DER, 510' right of centerline, up to 86' MSL.

Trees beginning 1208' from DER, 503' left of centerline, up to 91' MSL.

Trees beginning 1236' from DER, 219' right of centerline, up to 78' AGL/88' MSL.

Trees beginning 1593' from DER, 38' left of centerline, up to 96' MSL.

Trees beginning 2101' from DER, 368' right of centerline, up to 89' MSL.

Trees beginning 2756' from DER, 75' right of centerline, up to 93' MSL.

Tree 3232' from DER, 1313' left of centerline, 100' MSL.

Antenna 3860' from DER, 1035' left of centerline, 102' AGL/120' MSL.

WILLIAMSON/SODUS, NY

WILLIAMSON-SODUS (SDC)

TAKEOFF MINIMUMS AND (OBSTACLE) DEPARTURE PROCEDURES

AMDT 1 31JUL08 (08213) (FAA)

TAKEOFF MINIMUMS:

Rwy 10, 300-2 or std. w/ min. climb of 427' per NM to 700.

TAKEOFF OBSTACLE NOTES:

Rwy 10, trees beginning 26' from DER, 296' right of centerline, up to 76' AGL/625' MSL.

Trees beginning 257' from DER, 310' left of centerline, up to 56' AGL/655' MSL.

Vehicles on roadway, 339' from DER, 377' right of centerline, 15' AGL/451' MSL.

Pole 360' from DER, 122' left of centerline, 29' AGL/448' MSL.

Pole 362' from DER, 85' right of centerline, 31' AGL/450' MSL.

Silo 409' from DER, 466' left of centerline, 40' AGL/459' MSL.

Antenna 1.5 NM from DER, 662' left of centerline, 100' AGL/659' MSL.

Antenna 1.6 NM from DER, 400' left of centerline, 106' AGL/715' MSL.

Rwy 28, trees beginning abeam DER, 188' left of centerline, up to 110' AGL/549' MSL.

Trees beginning 72' from DER, 266' right of centerline, up to 93' AGL/522' MSL.

Building 204' from DER, 271' right of centerline, 12' AGL/441' MSL.

Fence 312' from DER, 59' left of centerline, 6' AGL/435' MSL.

Pole 338' from DER, 271' left of centerline, 32' AGL/461' MSL.

Vehicles on roadway 357' from DER, 382' left of centerline, 15' AGL/460' MSL.

Building 497' from DER, 339' left of centerline, 21' AGL/450' MSL.

02 DEC 2021 to 30 DEC 2021

02 DEC 2021 to 30 DEC 2021

TAKEOFF MINIMUMS, (OBSTACLE) DEPARTURE PROCEDURES, AND DIVERSE VECTOR AREA (RADAR VECTORS)

21336

NE-2


TAKEOFF MINIMUMS, (OBSTACLE) DEPARTURE PROCEDURES, AND


DIVERSE VECTOR AREA (RADAR VECTORS)

21336

WOODBINE, NJ**WOODBINE MUNI (OBI)****TAKEOFF MINIMUMS AND (OBSTACLE) DEPARTURE PROCEDURES**

AMDT 2 27AUG09 (09239) (FAA)

TAKEOFF OBSTACLE NOTES:**Rwy 1**, trees beginning 182' from DER, 284' left of centerline up to 100' AGL/134' MSL.

Trees beginning 38' from DER, 290' right of centerline up to 100' AGL/144' MSL.

Train 387' from DER, 596' left of centerline up to 23' AGL/57' MSL.

Rwy 13, trees beginning 4' from DER, 277' left of centerline up to 100' AGL/134' MSL.

Trees beginning 2395' from DER, 865' right of centerline up to 100' AGL/134' MSL.

Rwy 19, trees beginning 4' from DER, 284' left of centerline up to 100' AGL/129' MSL.

Trees beginning 178' from DER, 212' right of centerline up to 100' AGL/124' MSL.

Rwy 31, trees beginning 261' from DER, 529' right of centerline up to 100' AGL/144' MSL.

Trees beginning 107' from DER, 288' left of centerline up to 100' AGL/144' MSL.

Railroad 900' from DER left to right 23' AGL/63' MSL.

WURTSBORO, NY**WURTSBORO-SULLIVAN COUNTY (N82)****TAKEOFF MINIMUMS AND (OBSTACLE) DEPARTURE PROCEDURES**

AMDT 2 06DEC18 (18340) (FAA)

TAKEOFF MINIMUMS:**Rwys 5, 9, 14, 18, 27, 32, 36**, NA – Obstacles.**Rwy 23**, std. w/min. climb of 365' per NM to 1900 or 2000-3 for VCOA.**DEPARTURE PROCEDURE:****Rwy 23**, climb heading 228° to 2100 before proceeding on course.**VCOA:****Rwy 23**, obtain ATC approval for VCOA when requesting IFR clearance. Climb in visual conditions to cross

Wurtsboro-Sullivan County airport at or above 2400 before proceeding on course.

TAKEOFF OBSTACLE NOTES:**Rwy 23**, terrain 32' from DER, 187' right of centerline, 549' MSL.

Tree, pole beginning 80' from DER, 20' left of centerline, up to 650' MSL.

Tree 125' from DER, 87' right of centerline, 567' MSL.

Tree 160' from DER, 210' right of centerline, 576' MSL.

Trees beginning 169' from DER, 352' right of centerline, up to 641' MSL.

Tree, building, pole beginning 224' from DER, 526' right of centerline, up to 648' MSL.

Trees beginning 2527' from DER, 583' right of centerline, up to 662' MSL.

Trees beginning 3392' from DER, 490' right of centerline, up to 664' MSL.

Trees beginning 3590' from DER, 451' right of centerline, up to 669' MSL.

Trees beginning 3755' from DER, 1192' right of centerline, up to 680' MSL.

Tree 3938' from DER, 1364' right of centerline, 686' MSL.

Trees beginning 3951' from DER, 1215' right of centerline, up to 689' MSL.

Trees beginning 4510' from DER, 1411' right of centerline, up to 693' MSL.

Tree 4795' from DER, 1738' right of centerline, 709' MSL.

Trees beginning 4801' from DER, 1371' right of centerline, up to 100' AGL/727' MSL.

Trees beginning 5694' from DER, 1749' right of centerline, up to 100' AGL/783' MSL.

Trees beginning 1 NM from DER, 1818' right of centerline, up to 784' MSL.

Trees beginning 1 NM from DER, 1962' right of centerline, up to 100' AGL/793' MSL.

Trees beginning 1.5 NM from DER, 2627' right of centerline, up to 793' MSL.

Trees beginning 1.5 NM from DER, 2731' right of centerline, up to 811' MSL.

Trees beginning 1.5 NM from DER, 2958' right of centerline, up to 820' MSL.

Trees beginning 1.6 NM from DER, 2781' right of centerline, up to 100' AGL/852' MSL.

Trees beginning 1.6 NM from DER, 2966' right of centerline, up to 100' AGL/858' MSL.

Trees beginning 1.6 NM from DER, 2789' right of centerline, up to 100' AGL/904' MSL.

Trees beginning 1.7 NM from DER, 2796' right of centerline, up to 100' AGL/931' MSL.

Trees beginning 1.7 NM from DER, 2804' right of centerline, up to 100' AGL/957' MSL.

Tree 2 NM from DER, 3823' left of centerline, 885' MSL.

Tree 2 NM from DER, 3807' left of centerline, 891' MSL.

Tree 2.1 NM from DER, 3818' left of centerline, 899' MSL.

Trees beginning 2.1 NM from DER, 3875' left of centerline, up to 928' MSL.

Tree 2.3 NM from DER, 4245' left of centerline, 100' AGL/940' MSL.

Trees beginning 2.3 NM from DER, 3606' right of centerline, up to 100' AGL/960' MSL.

Trees beginning 2.4 NM from DER, 4052' left of centerline, up to 100' AGL/980' MSL.

Trees beginning 2.4 NM from DER, 4044' left of centerline, up to 100' AGL/1039' MSL.

02 DEC 2021 to 30 DEC 2021

02 DEC 2021 to 30 DEC 2021


TAKEOFF MINIMUMS, (OBSTACLE) DEPARTURE PROCEDURES, AND


DIVERSE VECTOR AREA (RADAR VECTORS)

21336

NE-2